

6

5

4

3

2

1

MATERIAL AND FINISH:

Insulator: Impact resistance Polypropylene, black,
UL-94V-HB rated

Contact & terminals:

PDSN-12-1B: Brass, Nickel plated

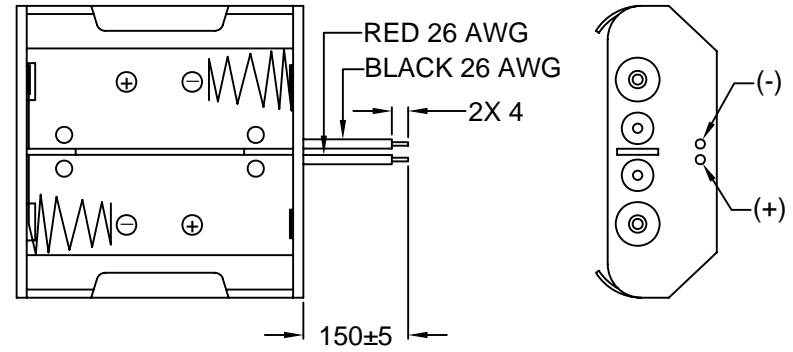
PDSN-12-1C: Brass, Nickel plated

Spring: Spring Steel, Nickel plated imbedded in
Polypropylene

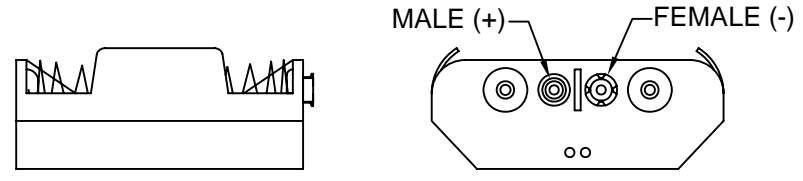
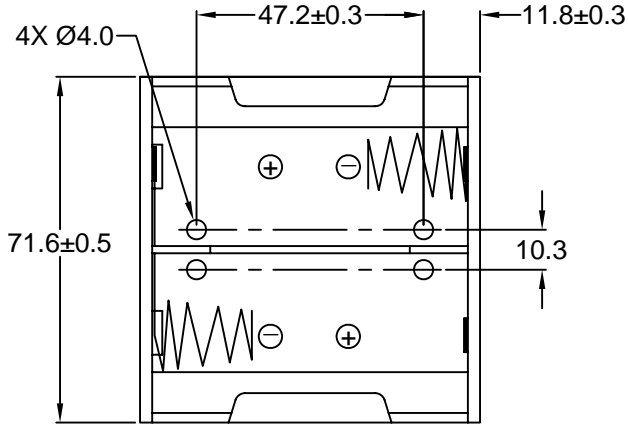
ENVIRONMENTAL:

Operating temperature: -5°C to +83°C

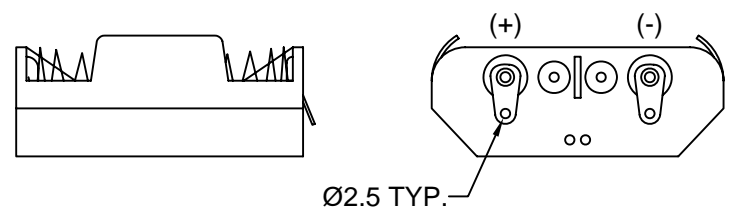
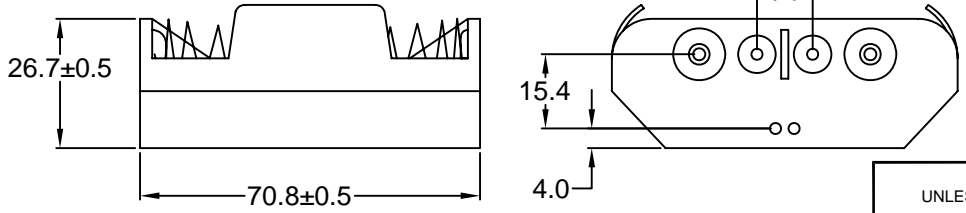
RoHS
COMPLIANT



PDSN-12-1A WIRE LEADS



PDSN-12-1B SNAP TERMINAL



PDSN-12-1C SOLDER LUG

D

C

B

A

REVISIONS	CHNG	CHECK	APPR
	DATE	ADDED DIMENSIONS	
	REV	DATE	ADDED DIMENSIONS
A	03/19/02		
		GQ	PB

TOLERANCE
UNLESS OTHERWISE SPECIFIED

X ± 1
X.X ± 0.4
X.XX ± 0.20

Power Dynamics, Inc.
Phone: 973 560-0019 Whippany, New Jersey Fax: 973 560-0076

PART: 2 CELL TYPE "D" BATTERY HOLDER

DRAWN BY	GQ	DATE:	03/12/02
CHECK BY	TD	DATE:	03/14/02
APPR BY	PB	DATE:	03/14/02

PART #: PDSN-12-1X		SHEET 1 of 1
SIZE: A	ALL DIMENSIONS FOR REFERENCE ONLY DIMENSIONS ARE IN MILLIMETERS	
SCALE: NTS	REV: A	