



- 10/100 Base-T Ethernet Application
- Impedance: 100OHMS
- RJ45 jack cavity conforms to FCC rules and regulations Part 68, SUB Part F
- Standard Operating Temp: 0°C to +70°C
- Contact Factory for Industrial Temp.
- Available in other Circuit Designs
- Optional Gold Plating Thickness
- Other LED Patterns available
- Full EMI Fingers

Electrical Specifications @ 25°C

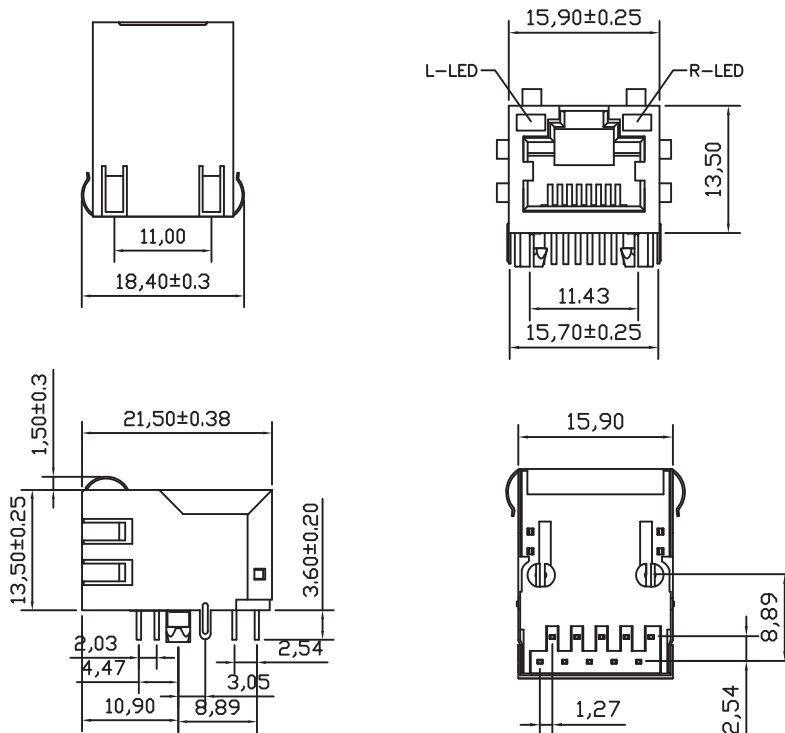
Part Number	OCL(uH Min) @ 100kHz, 0.1V	Turns Ratio chip: cable (±2%)	Insertion Loss (dB Max)	Return Loss (dB Min)		
	With 8mA DC Bias		1-100MHz	1-30MHz	30-60MHz	60-80MHz
AR11-3783	350	1CT:1CT	-1.0	-18	-18-20Log(F/30MHz)	-12

Electrical Specifications @ 25°C

Cross Talk (dB Min)					CMR (dB Min)					CDMR (dB Min)					HI-POT (Vrms)
0.5-1MHz	10MHz	30MHz	50MHz	100MHz	0.3-1MHz	10MHz	30MHz	60MHz	100MHz	0.3-1MHz	10MHz	30MHz	60MHz	100MHz	1.0mA/3Sec.
-50	-50	-40	-35	-30	-50	-47	-42	-37	-30	-50	-50	-50	-45	-40	1500

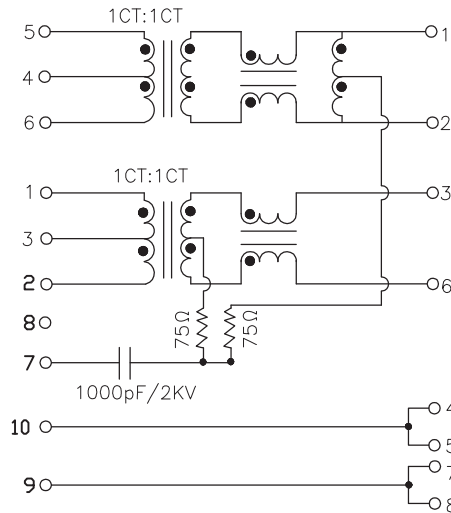
All specifications subject to change without notice.

MECHANICAL





**SCHEMATICS**

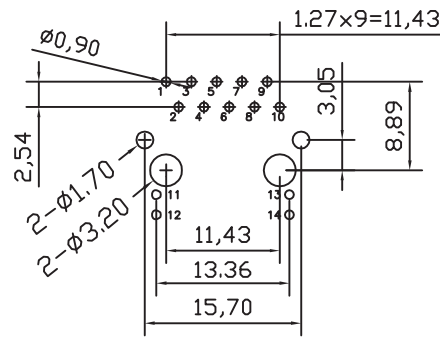


LED Schematic Code:

B  
(See chart below)

LED Code				
	Left LED		Right LED	
	+11, -12	-11, +12	+13, -14	-13, +14
<b>A</b>	Green	-	Yellow	-
<b>B</b>	Yellow	-	Green	-
<b>C</b>	Green	-	Green	-
<b>D</b>	-	Green	-	Yellow
<b>E</b>	-	Yellow	-	Green
<b>F</b>	Yellow	-	Orange	Green
<b>G</b>	Orange	Green	Yellow	-
<b>H</b>	Green	Yellow	Green	-
<b>I</b>	Green	Orange	Yellow	-
<b>J</b>	Green	Yellow	Green	Yellow
<b>K</b>	Green	-	Green	Yellow
<b>L</b>	Yellow	-	Green	Orange
<b>M</b>	Green	Orange	Green	-

**PCB LAYOUT**



**NOTES**

- Shield- 0.20mm THICKNESS BRASS C2680 H. PLATING NICKEL 30u"-50u"
- Housing- Standard Material LCP, Glass filled Polyester UL94V-0 Standard Color Black.
- RJ Terminal- Plastic: LCP GF, UL94V-0, Standard Color Black.  
Pin: 0.35mm Thickness Phos-Bronze C5210 EH. Plating: Nickel 40u"-60u" for all and Sn 100%, and 50u" Gold Plating.
- Input Terminal: Plastic LCP, Glass Filled, UL94V-0, Standard Color Black.  
Pin: 0.35mm Thickness Phos-Bronze SUS430. Plating: Nickel 40u"-60u" for all and Sn 100%.