

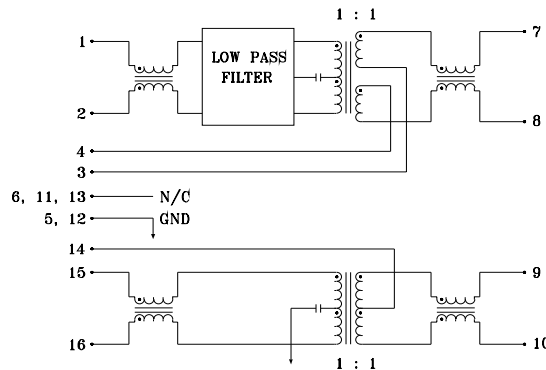
TOKENRING NETWORKING COMPONENTS

- Designed for use with Texas Instruments C380C30/C60 token ring transceivers
- Complies with IEEE 802.5 standards, including low frequency cutoff
- 2000 Vrms isolation
- Customized design featuring additional common mode suppression
- Supports STP 150 ohm or UTP 100 ohm cable

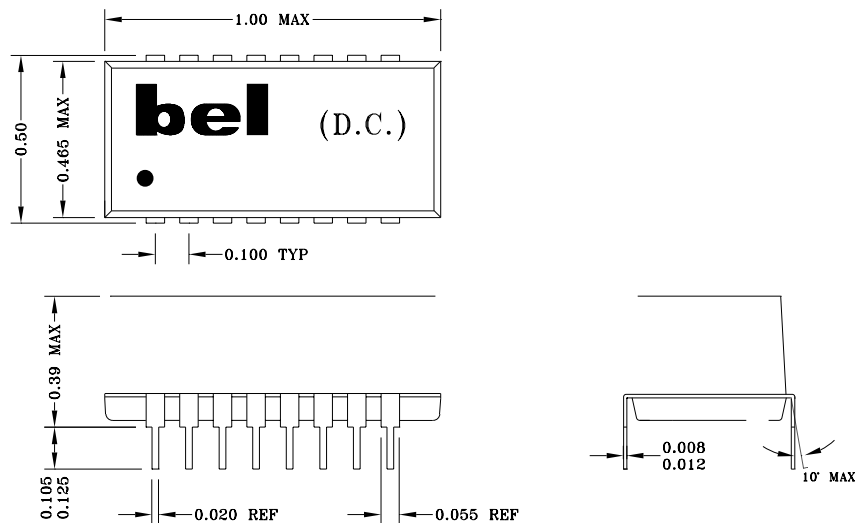
ELECTRICALS AT 25°C

Part No.	Return Loss (dB) Min		Insertion Loss (dB) Max				Common to Common Mode Rej (dB) Min			Crosstalk (dB) Min		
	1-17MHz	17-25MHz	4MHz	8MHz	16MHz	24MHz	5MHz	20MHz	200MHz	8MHz	16MHz	24MHz
A556-5999-23	-12	-10	-0.5	-0.8	-1.1	-1.9	-50	-45	-25	-55	-50	-45

SCHEMATIC



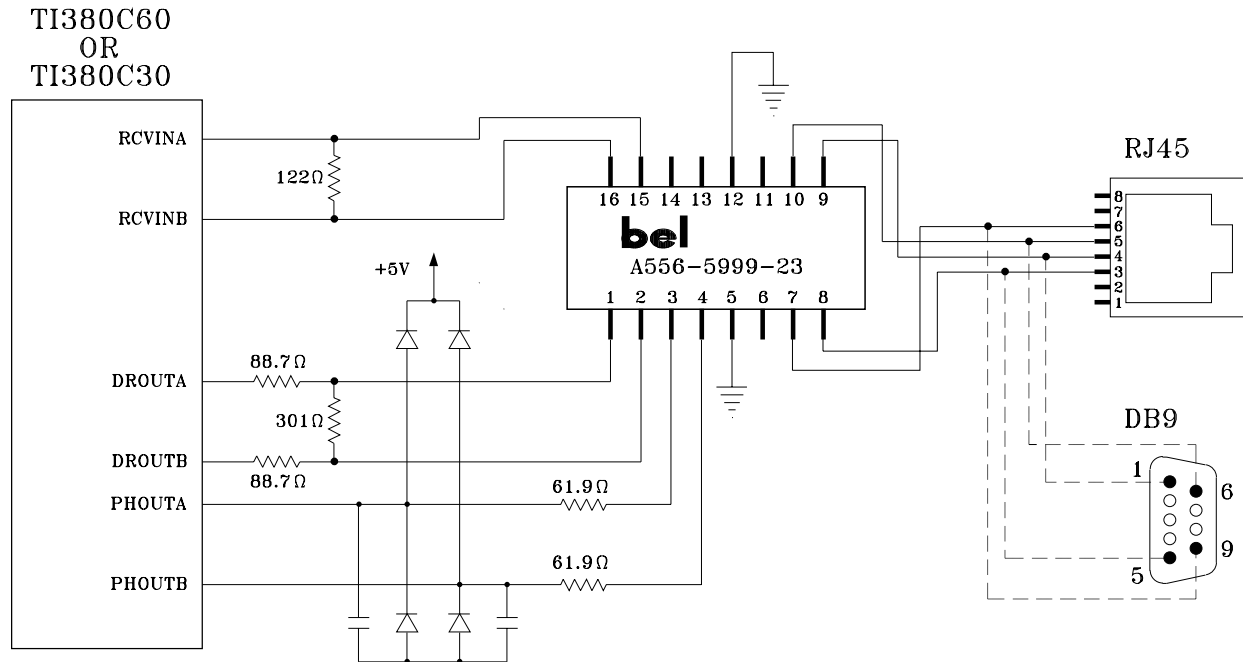
MECHANICAL



Specifications subject to change without notice.

TOKENRING NETWORKING COMPONENTS

APPLICATION CIRCUIT



APPLICATION NOTES

- This Bel token ring networking component has been developed for use with the Texas Instruments C30 integrated comm processor and transceiver and C60 transceiver only. This Bel module provides signal shaping and high voltage isolation, impedance matching, and EMI and noise suppression for both transmit and receive channels. This module can be used in either 150 ohm STP or 100 ohm UTP cable environments.
- Suppression of board induced noise can be achieved with precision layout instructions, along with careful consideration of the selection and placement of discrete components for the interface circuit.
- Do not connect both UTP and STP simultaneously. Only one media connection can be supported at any one time.
- Additional common mode chokes are available for further suppression of unwanted signals.

Corporate Office

Bel Fuse Inc.
198 Van Vorst Street, Jersey City, NJ 07302-4496
Tel: 201-432-0463
Fax: 201-432-9542
E-Mail: BelFuse@belfuse.com
Internet: <http://www.belfuse.com>

Far East Office

Bel Fuse Ltd.
8F/8 Luk Hop Street
San Po Kong
Kowloon, Hong Kong
Tel: 852-2328-5515
Fax: 852-2352-3706

European Office

Bel Fuse Europe Ltd.
Preston Technology Management Centre
Marsh Lane, Preston PR1 8UD
Lancashire, U.K.
Tel: 44-1772-556601
Fax: 44-1772-888366