

**PLEASE CHECK WWW.MOLEX.COM FOR LATEST PART INFORMATION**

**Part Number:** [0876639007](#)  
**Status:** **Active**  
**Overview:** [extreme\\_powerplus\\_ssi](#)  
**Description:** 6.35mm (.250") Pitch Power (DC), 7.62mm (.300") Pitch Power (AC), 2.54mm (.100") Pitch Signal, EXTreme PowerPlus™ Board-to-BoardHeader, Through Hole, Right Angle, 26 Circuits, Power Alpha 4, Signal 16, Power Beta 6, Long Contact, with Bevel

**Documents:**

[3D Model](#) [Product Specification PS-87663-006 \(PDF\)](#)  
[Drawing \(PDF\)](#) [RoHS Certificate of Compliance \(PDF\)](#)

**General**

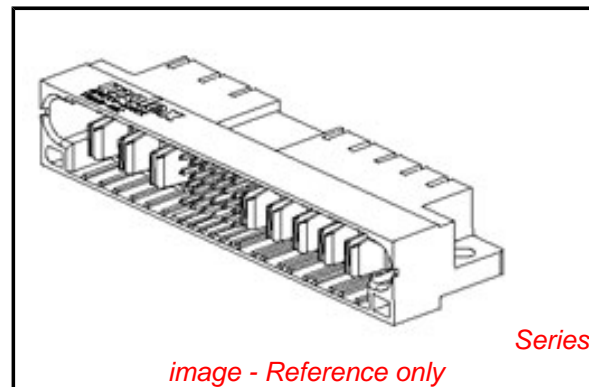
Product Family	PCB Headers
Series	87663
Application	Board-to-Board
Comments	<LI>Long Blade
Overview	<a href="#">extreme_powerplus_ssi</a>
Product Name	EXTreme PowerPlus™

**Physical**

Breakaway	No
Circuits (Loaded)	26
Circuits Detail	Power Alpha 4, Signal 16, Power Beta 6
Color - Resin	Black
First Mate / Last Break	No
Glow-Wire Compliant	No
Guide to Mating Part	Yes
Keying to Mating Part	Yes
Material - Metal	Copper Alloy
Material - Plating Mating	Gold
Material - Plating Termination	Tin
Material - Resin	High Temperature Thermoplastic
Number of Rows	4
Orientation	Right Angle
PC Tail Length (in)	0.135 In
PC Tail Length (mm)	3.43 mm
PCB Locator	No
PCB Retention	Yes
PCB Thickness Recommended (in)	0.062 In
PCB Thickness Recommended (mm)	1.57 mm
Packaging Type	Tray
Pitch - Mating Interface (in)	0.100 In, 0.250 In, 0.300 In
Pitch - Mating Interface (mm)	2.54 mm, 6.35 mm, 7.62 mm
Plating min: Mating (µin)	30
Plating min: Mating (µm)	0.76
Plating min: Termination (µin)	100
Plating min: Termination (µm)	2.54
Polarized to Mating Part	Yes
Polarized to PCB	Yes
Shrouded	Fully
Stackable	No
Temperature Range - Operating	-20°C to +105°C
Termination Interface: Style	Through Hole

**Electrical**

Current - Maximum per Contact	2.5A, 30A, 50A
-------------------------------	----------------



**EU RoHS**

**ELV and RoHS Compliant**  
**REACH SVHC**  
 Not Reviewed  
**Halogen-Free Status**

**China RoHS**



**Need more information on product environmental compliance?**

Email [productcompliance@molex.com](mailto:productcompliance@molex.com)  
 For a multiple part number RoHS Certificate of Compliance, [click here](#)

Please visit the [Contact Us](#) section for any non-product compliance questions.

**Search Parts in this Series**

[87663Series](#)

**Mates With**

[87664](#) PCB Receptacle with Beveled Metal Pins. [87734](#) Vertical PCB Receptacle

Voltage - Maximum 250V

### **Solder Process Data**

Duration at Max. Process Temperature (seconds)	10
Lead-free Process Capability	SMC & Wave Capable (TH only)
Max. Cycles at Max. Process Temperature	3
Process Temperature max. C	260

### **Material Info**

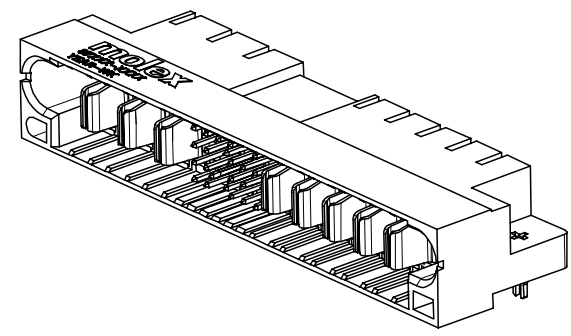
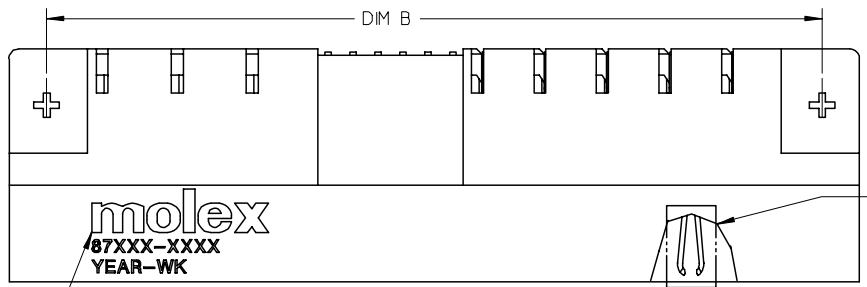
### **Reference - Drawing Numbers**

Application Specification	AS-87631-018
Product Specification	PS-87663-006
Sales Drawing	SD-87663-010

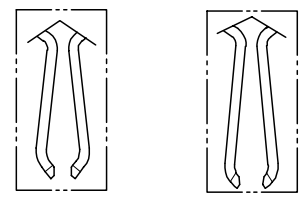
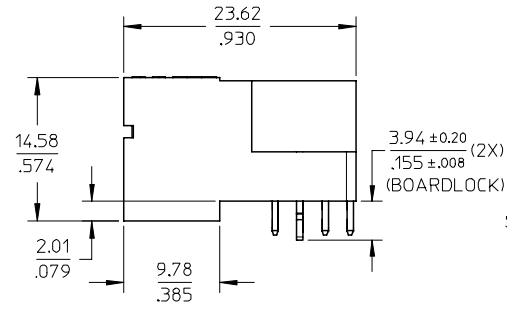
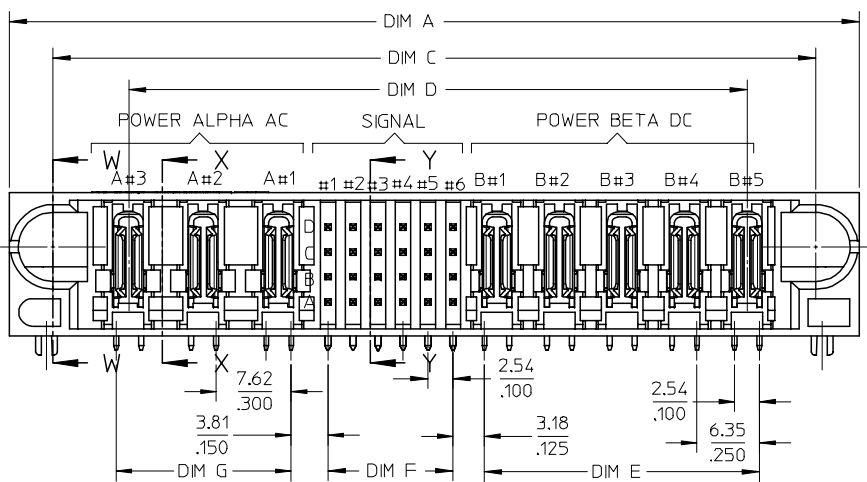
This document was generated on 05/25/2010

**PLEASE CHECK [WWW.MOLEX.COM](http://WWW.MOLEX.COM) FOR LATEST PART INFORMATION**

10 9 8 7 6 5 4 3 2 1



ISOMETRIC VIEW  
3P(AC)-24S-5P(DC) FOR ILLUSTRATION



SHORT BLADE OPTION LONG BLADE OPTION  
DETAIL R  
(SEE TABLE FOR BLADE OPTION)

NOTES:

1. MATERIALS:-  
HOUSING - LCP, GLASS FILLED, UL94V-0, COLOUR: BLACK.  
SIGNAL TERMINAL - COPPER ALLOY  
POWER TERMINAL - COPPER ALLOY
2. FINISH :-  
SIGNAL & POWER CONTACTS  
0.76 MICROMETER MINIMUM GOLD (Au) AT CONTACT AREA AND  
2.54 MICROMETER MINIMUM TIN AT SOLDERTAIL AREA  
OVER 1.27 MICROMETER MINIMUM NICKEL (Ni) UNDERPLATE.
3. PRODUCT SPECIFICATION : PS-87663-006.
4. COMPONENT STAY AWAY FROM CONNECTOR.
5. PCB NOTE FOR DIAMETER 1.02/.040 PLATED HOLE.  
- DRILLED HOLE SIZE IS 1.15/ .0453.  
- PLATE WITH 0.007 / .0003 MINIMUM TIN OVER 0.03/.001  
TO 0.08/.003 COPPER PLATING TO ACHIEVE 1.02±0.08/.040±.003 HOLE.
6. MANUFACTURER LOGO, PART NUMBER AND YEAR-WEEK CODE.  
LONG AND SHORT CONTACT POWER BLADE OPTIONS ARE AVAILABLE  
FOR DIFFERENT CUSTOMERS REQUIREMENT.

PDR#S-001538-00-00  
EC NO: S2007-0817  
DRAWN:GEMENARLY  
CHKD:SKANG  
APPR:MLONG  
2007/03/28  
2007/03/28  
2007/03/28

QUALITY SYMBOLS	▽=0 ▽=0
REV	D3

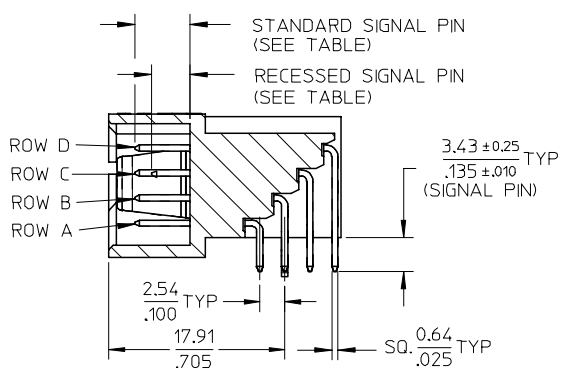
GENERAL TOLERANCES (UNLESS SPECIFIED)	MM	INCH
4 PLACES	± .10	± .004
3 PLACES	± .15	± .006
2 PLACES	± 0.25	± .010
1 PLACE	± .50	± .020
ANGULAR ± 3 °		
DRAFT WHERE APPLICABLE MUST REMAIN WITHIN DIMENSIONS		

DIMENSION STYLE		SCALE	DESIGN UNITS	THIRD ANGLE PROJECTION
MM/IN		NTS	METRIC	
DRAWN BY	DATE	TITLE		
BHLOW	2002/11/27	AC/DC POWER CONN. HEADER		
CHECKED BY	DATE	P(AC)-S-P(DC) CONFIG.		
PTL IM	2002/12/03	RIGHT ANGLE, BOARD-LOCK		
APPROVED BY	DATE	MOLEX INCORPORATED		
SKTOH	2002/12/03	MOLEX INCORPORATED		
MATERIAL NO.		DOCUMENT NO.	SHEET NO.	
SEE TABLE		SD-87663-010	1 OF 3	
SIZE A3 THIS DRAWING CONTAINS INFORMATION THAT IS PROPRIETARY TO MOLEX INCORPORATED AND SHOULD NOT BE USED WITHOUT WRITTEN PERMISSION				

9 8 7 6 5 4 3 2 1

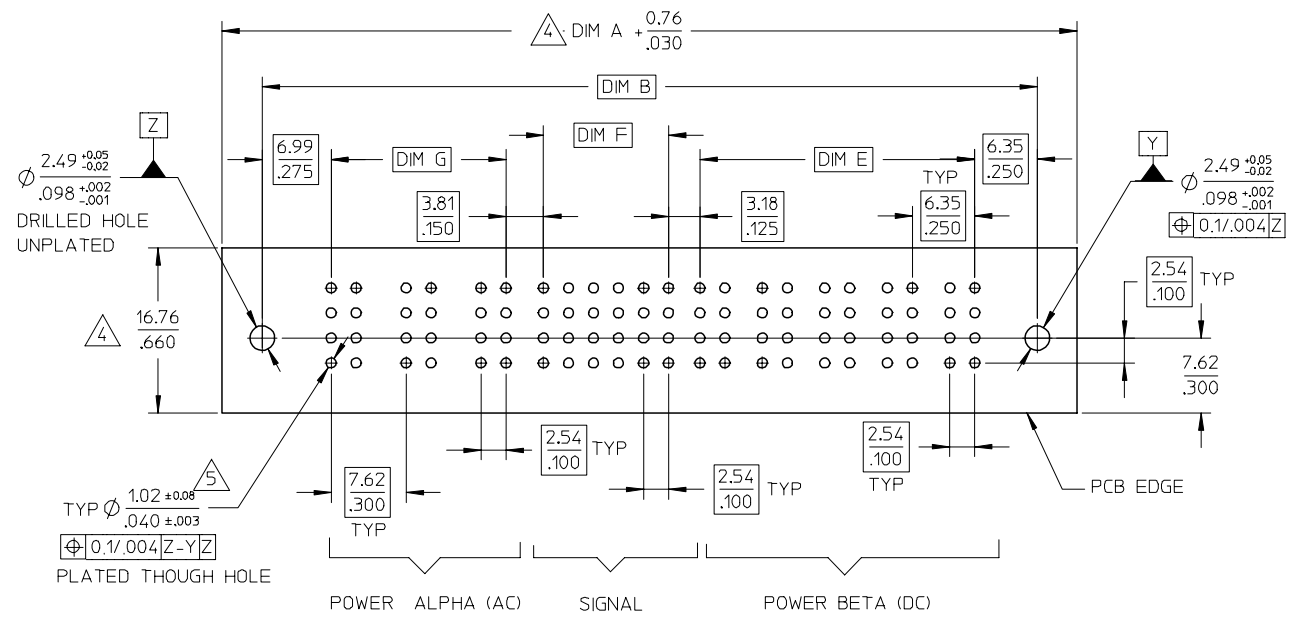
10 9 8 7 6 5 4 3 2 1

F  
E  
D  
C  
B  
A

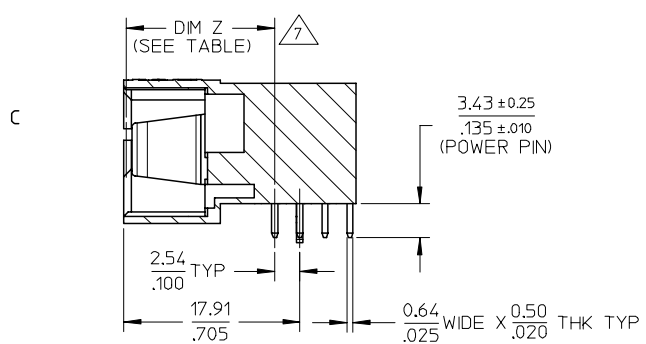


(TERMINAL LOCKING DETAIL NOT SHOWN)

SECTION Y-Y

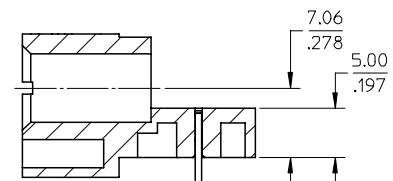


POWER ALPHA (AC) SIGNAL POWER BETA (DC)



(TERMINAL LOCKING DETAIL NOT SHOWN)

SECTION X-X



SECTION W-W

PDR# S-001538-00-00	EC NO: S2007-0817	DRWN: GEMENARLY	2007/03/28
		CHKD: SKANG	2007/03/28
		APPR: MLONG	2007/03/28
D3			

QUALITY SYMBOLS	DESCRIPTION
▽=0	
▽=0	

GENERAL TOLERANCES (UNLESS SPECIFIED)	
4 PLACES	± ---
3 PLACES	± ---
2 PLACES	± 0.25
1 PLACE	± ---
ANGULAR ± 3 °	

DIMENSION STYLE	
MM/IN	
DRAWN BY	DATE
BHLOW	2002/11/27
CHECKED BY	DATE
PTL IM	2002/12/03
APPROVED BY	DATE
SKTOH	2002/12/03
MATERIAL NO.	
SEE TABLE	

SCALE	DESIGN UNITS	THIRD ANGLE PROJECTION
NTS	METRIC	☉
TITLE		
AC/DC POWER CONN. HEADER		
P(AC)-S-P(DC) CONFIG.		
RIGHT ANGLE, BOARD-LOCK		
MOLEX INCORPORATED		
DOCUMENT NO.	SHEET NO.	
SD-87663-010	2 OF 3	

DRAFT WHERE APPLICABLE MUST REMAIN WITHIN DIMENSIONS

THIS DRAWING CONTAINS INFORMATION THAT IS PROPRIETARY TO MOLEX INCORPORATED AND SHOULD NOT BE USED WITHOUT WRITTEN PERMISSION

9 8 7 6 5 4 3 2 1

PART NUMBER	P-S-P CONFIGURATION			POWER BLADE OPTIONS								STANDARD PIN			RECESSED PIN			VOID PIN LOCATION		PACKAGING		
	POWER ALPHA AC	SIGNAL	POWER BETA DC	DIM A	DIM B	DIM C	DIM D	DIM E	DIM F	DIM G	TYPE	DIM Z ±0.13/.005	LOCATION	ROW	COLUMN	LENGTH	ROW	COLUMN	LENGTH		ROW	COLUMN
87663-9000	3	24	5	86.36 3.400	78.74 3.100	77.47 3.050	62.88 2.475	27.94 1.100	12.70 .500	17.78 .700	SHORT CONTACT	13.32/.524	ALL	D C B A	1,2,3,4,6 1,2,4,5,6 1,2,3,4,5 1,2,4,5,6	5.59/.220	D C B A	5 3 6 3	4.32/.170	D C B A	NIL	TRAY
87663-9001	3	24	6	92.71 3.650	85.09 3.350	83.82 3.300	69.22 2.725	34.29 1.350	12.70 .500	17.78 .700	LONG CONTACT	14.12/.556	ALL	D C B A	1 - 6 1 - 6 1 - 6 2,3,4,5,6	6.86/.270	D C B A	- - - 1	5.59/.220	D C B A	NIL	TRAY
87663-9002	3	24	4	80.01 3.150	72.39 2.850	71.12 2.800	56.52 2.225	21.59 .850	12.70 .500	17.78 .700	LONG CONTACT	14.12/.556	ALL	D C B A	1 - 6 1 - 6 1,2,3,5,6 1 - 6	6.45/.254	D C B A	- - 4 -	5.18/.204	D C B A	NIL	TRAY
87663-9003	3	24	5	86.36 3.400	78.74 3.100	77.47 3.050	62.88 2.475	27.94 1.100	12.70 .500	17.78 .700	LONG CONTACT	14.12/.556	ALL	D C B A	1,2,3,4,6 1,2,4,5,6 1,2,3,4,5 1,2,4,5,6	6.86/.270	D C B A	5 3 6 3	5.59/.220	D C B A	NIL	TRAY
87663-9004	3	24	2	67.31 2.650	59.69 2.350	58.42 2.300	43.82 1.725	8.890 0.350	12.70 .500	17.78 .700	LONG CONTACT	14.12/.556	ALL	D C B A	1,2,4,5,6 1 - 6 1,2,4,5,6 1 - 6	6.86/.270	D C B A	3 - 3 -	5.59/.220	D C B A	NIL	TRAY
87663-9005	4	16	4	82.55 3.250	74.93 2.950	73.66 2.900	59.06 2.325	21.59 0.850	7.62 .300	25.40 1.000	LONG CONTACT	14.12/.556	ALL	D C B A	ALL	6.86/.270	D C B A	NIL	NIL	D C B A	NIL	TRAY
87663-9006	3	24	5	86.36 3.400	78.74 3.100	77.47 3.050	62.88 2.475	27.94 1.100	12.70 .500	17.78 .700	LONG CONTACT	14.12/.556	ALL	D C B A	4,5,6 4,5,6 4,5,6 4,5,6	6.86/.270	D C B A	NIL	NIL	D C B A	1,2,3 1,2,3 1,2,3 1,2,3	TRAY
87663-9007	4	16	6	95.25 3.750	87.63 3.450	86.36 3.400	71.76 2.825	34.29 1.350	7.62 .300	25.40 1.000	LONG CONTACT	14.12/.556	ALL	D C B A	ALL	6.86/.270	D C B A	NIL	NIL	D C B A	NIL	TRAY

PDR#S-001538-00-00 EC NO: S2007-0817 DRAWING: MENARLY 2007/03/28 CHKD: SKANG 2007/03/28 APPR: MLONG 2007/03/28	QUALITY SYMBOLS    	GENERAL TOLERANCES (UNLESS SPECIFIED)		DIMENSION STYLE MM/IN		SCALE NTS	DESIGN UNITS METRIC	THIRD ANGLE PROJECTION		
		4 PLACES	± ---	± ---	DRAWN BY	DATE	TITLE	MOLEX INCORPORATED	DOCUMENT NO.	SHEET NO.
		3 PLACES	± ---	± .010	BHLOW	2002/11/27				
		2 PLACES	± 0.25	± ---	CHECKED BY	DATE	AC/DC POWER CONN. HEADER P(AC)-S-P(DC) CONFIG. RIGHT ANGLE, BOARD-LOCK	SD-87663-010	3 OF 3	
1 PLACE	± ---	± ---	APPROVED BY	DATE	SEE TABLE					
ANGULAR ± 3 °			DRAFT WHERE APPLICABLE MUST REMAIN WITHIN DIMENSIONS		MATERIAL NO.					
					SIZE A3		THIS DRAWING CONTAINS INFORMATION THAT IS PROPRIETARY TO MOLEX INCORPORATED AND SHOULD NOT BE USED WITHOUT WRITTEN PERMISSION			