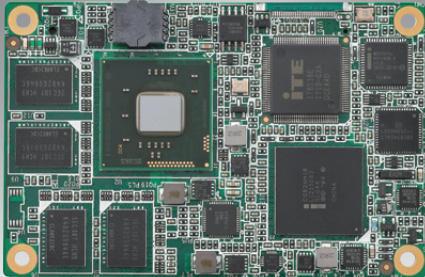


# SOM-7565

## Intel® Atom™ Processor N2000 Series COM Express Mini Module Pin-out Type 10

**NEW**



iManager susiAccess CE FCC

### Features

- Embedded Intel® Atom™ Processor N2600 + NM10
- Intel GMA3600 supports DX9 and OGL 3.0, MPEG2/VC1/H.264 HW Decoder
- Supports onboard memory DDR3 800 MHz 2 GB
- Supports onboard flash MLC 4GB / SLC 2 GB
- Supports 3 PCIe x1, 1 GbE, 1 SATA, 8 USB2.0, LPC, SMBus, I²C Bus
- Supports iManager, SUSIAccess and Embedded Software APIs

**Software APIs:**

- Watchdog
- I²C
- SMBus
- H/W Monitor
- GPIO
- Brightness Control

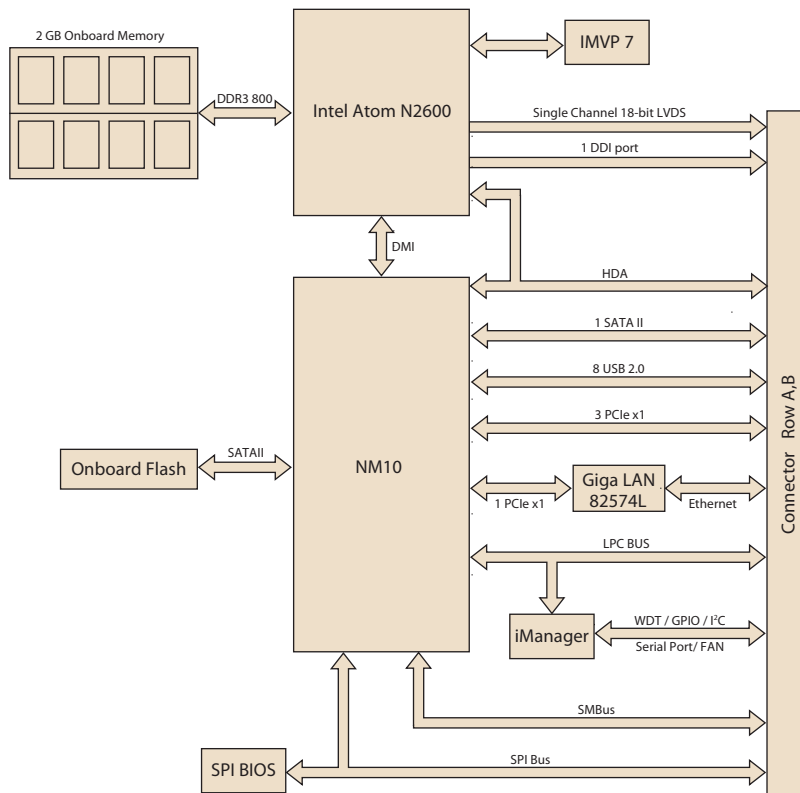
**Utilities:**

- BIOS flash
- Monitoring
- Embedded Security ID

### Specifications

Form Factor		COM-Express R2.1 Mini Module, Pin-out Type 10
Processor System	CPU	Intel Atom Processor N2600 1.6 GHz, 2 x 512 KB L2 Cache
	System Chipset	NM10
	BIOS	AMI 16 Mbit Flash BIOS
Memory	Technology	Supports DDR3 800 MHz
	Max. Capacity	Onboard 2 GB
Display	Chipset	Intel Gfx integrated in Atom Processor
	Graphic Engine	Intel GMA3600 400 MHz supports DX9, OGL 3.0, MPEG2/VC1/H.264 HW Decoder
	LVDS	18-bit up to 1366 x 768
	HDMI/DVI/DP	1 port shared, HDMI/DVI up to 1920 x 1200, DP up to 1600 x 1200
	Dual Display	LVDS + HDMI/DVI/DP
Ethernet	Chipset	Intel 82574L Gigabit Ethernet
	Speed	10/100/1000 Mbps
WatchDog Timer		65536 level timer interval, from 0~65535 sec, multi-level, multi-option watchdog timer
Expansion		3 PCIe x1, LPC, SMBus, I²C Bus
I/O	SATA	1 port, SATAIII 3.0Gb/s compliant (2 port optional while remove onboard flash)
	Onboard Flash	MLC 4 GB / SLC 2 GB
	USB	8 USB 2.0
	Audio	High definition audio interface
	GPIO	8-bit GPIO
Power	Power Type	ATX, AT
	Power Supply Voltage	ATX mode: Vin: 4.75 ~ 20V, VSB: 4.75 ~ 5.25V (Note: Vin must >= VSB) AT mode: Vin: 4.75 ~ 20V
	Power Consumption (Typical)	6.96W @ Vin=12V
	Power Consumption (Max, test in Burn-in Test V6.0 Pro)	8.64W @ Vin=12V
Environment	Temperature	Operating: 0 ~ 60° C (32 ~ 140° F) Storage: -40 ~ 85° C (-40 ~ 185° F)
	Humidity	Operating: 40° C @ 95% relative humidity, non-condensing Storage: 60° C @ 95% relative humidity, non-condensing
Mechanical	Dimensions	84 x 55 mm (3.3" x 2.17")

## Block Diagram



## Ordering Information

Part No.	CPU	L2 Cache	Chipset	Onboard Memory	Onboard Flash	LVDS	HDMI/ DVI/ DP	PCIe x1	HD Audio	GbE	SATAII	USB 2.0	LPC	SMBus	Thermal Solution	Operating Temperature
SOM-7565M4-S6A1E	Atom N2600	1 MB	NM10	2 GB	MLC 4 GB	18-bit	1	3	Yes	1	1	8	Yes	Yes	Passive	0 ~ 60° C
SOM-7565S2-S6A1E	Atom N2600	1 MB	NM10	2 GB	SLC 2 GB	18-bit	1	3	Yes	1	1	8	Yes	Yes	Passive	0 ~ 60° C
SOM-7565SZ-S6A1E	Atom N2600	1 MB	NM10	2 GB	SLC 2 GB	18-bit	1	3	Yes	1	1	8	Yes	Yes	Passive	-20 ~ 80° C
SOM-7565SZ2-S6A1E	Atom N2600	1 MB	NM10	2 GB	SLC 2 GB	18-bit	1	3	Yes	1	1	8	Yes	Yes	Passive	-40 ~ 85° C

Note: Passive = fanless; Active = with fan

## Development Board

Part No.	Description
SOM-DB5800-U0A1E	Development Board for COM-Express Type 10 Rev.A1

## Optional Accessories

Part No.	Description
1960056280N001	Semi-Heatsink 84L x 55W x 13.2H mm (0 ~ 60° C)
1960050950N001	Semi-Heatsink 84L x 55W x 34H mm (-40 ~ 85° C)

## Packing List

Part No.	Description	Quantity
-	SOM-7565 CPU Module	-
1960055344N001	Heatspreader	1