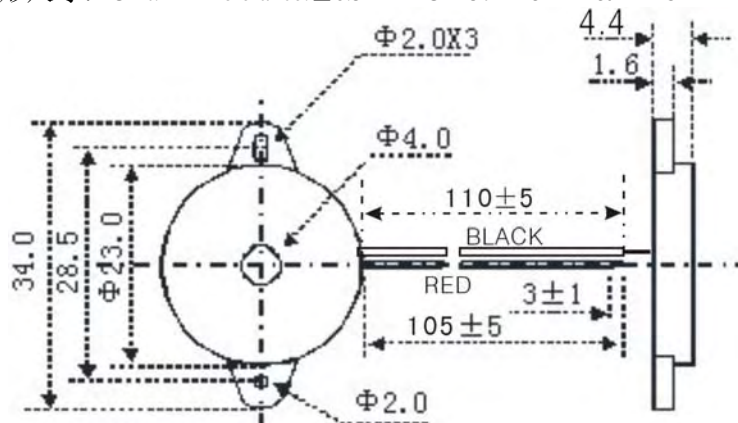


1. SPECIFICATION 电参数:

Resonant frequency 谐振频率	4000Hz±500Hz
Sound pressure level(at 10cm) 声压级	75dB min at 4.8KHz/9Vp-p square Wave
Static Capacitance 静电容量	15000pF±30%
Input voltage 使用电压	30Vp-p max. square Wave
Current consumption 额定电流	3 mA max.
Plate material 基片材料	Brass/Bronze
Plastic material 塑胶壳材料	ABS757
Operating temperature 额定使用温度	-20°C to +70°C
Storage temperature 储存温度	-30°C to +75°C

2. DIMENSION 外形尺寸: Unit: mm Tolerance: ±0.5mm UL1571#28 RED&BLACK

3. CHARACTERISTICS 频率响应图:
