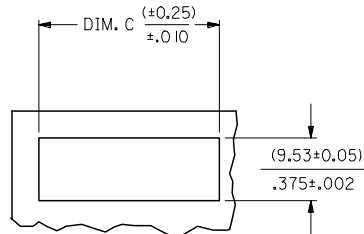
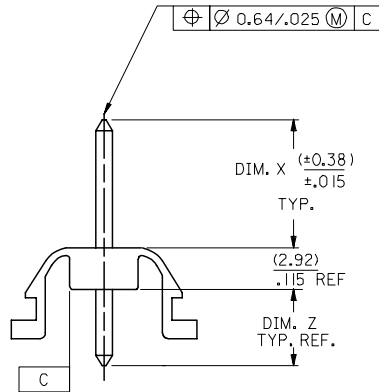
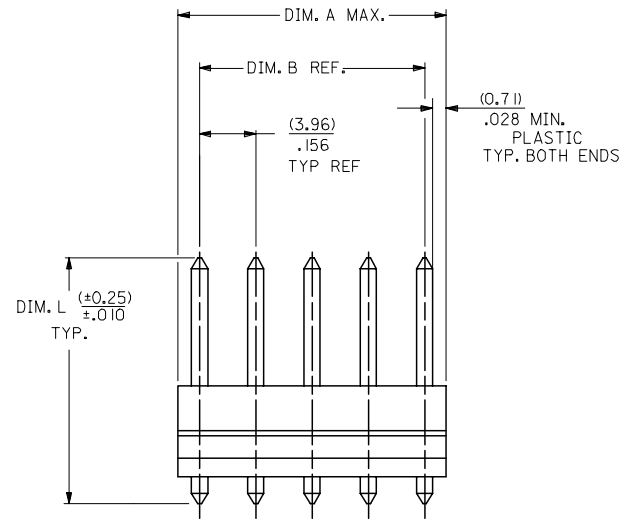


	13	12	11	10	9	8	7	6	5	4	3	2	1
	NO. OF CKTS.	DIM. A REF.	DIM. B MAX.	DIM. C									
J	2	(7.37) .290	(3.96) .156	(7.67) .302									
	3	(11.33) .446	(7.92) .312	(11.63) .458									
I	4	(15.29) .602	(11.89) .468	(15.60) .614									
	5	(19.25) .758	(15.85) .624	(19.56) .770									
	6	(23.22) .914	(19.81) .780	(23.52) .926									
H	7	(27.18) 1.070	(23.77) .936	(27.48) 1.080									
	8	(31.14) 1.226	(27.74) 1.092	(31.45) 1.238									
	9	(35.10) 1.382	(31.70) 1.248	(35.41) 1.394									
	10	(39.07) 1.538	(35.66) 1.404	(39.37) 1.550									
G	11	(43.03) 1.694	(39.62) 1.560	(43.33) 1.706									
	12	(46.99) 1.850	(43.59) 1.716	(47.29) 1.862									
	13	(50.95) 2.006	(47.55) 1.872	(51.26) 2.018									
F	14	(54.91) 2.162	(51.51) 2.028	(55.22) 2.174									
	15	(58.88) 2.318	(55.47) 2.184	(59.18) 2.330									
	16	(62.84) 2.474	(59.44) 2.340	(63.14) 2.486									
E	17	(66.80) 2.630	(63.40) 2.496	(67.11) 2.642									
	18	(70.76) 2.786	(67.36) 2.652	(71.07) 2.798									
	19	(74.65) 2.939	(71.32) 2.808	(74.96) 2.951									
	20	(78.61) 3.095	(75.29) 2.964	(78.92) 3.107									



PANEL OPENNING
(1.57±.03) / .062±.001 THK.

▽ PARTS MUST SNAP INTO ABOVE PCB



A-2220-N * * *
NO. OF CKTS. * * *
PACKAGING
BLANK = PER PK-2220-002
A = PER PK-44646-005

VERSION _____
LETTER CHANGES WHEN
PIN NO. OR PRESS
DIM. CHANGES

PLATING CODE
SEE NOTE 2

NOTES:

- MATERIAL: UNFILLED NYLON 6/6, UL94V-2, MOLDED NATURAL.
- FINISH: SEE LEGEND
 - (102) - OVERALL TIN: 0.00508/0.00200 MIN.
OVERALL COPPER UNDERPLATE: 0.00254/0.00100 MIN.
 - (122) - OVERALL TIN: 0.00381/0.00150 MIN.
OVERALL NICKEL UNDERPLATE: 0.00076/0.00030 MIN.
 - (501) - OVERALL GOLD: 0.00051/0.00020 MIN.
OVERALL NICKEL UNDERPLATE: 0.00076/0.00030 MIN.
 - (503) - OVERALL GOLD: 0.00076/0.00030 MIN.
OVERALL NICKEL UNDERPLATE: 0.00127/0.00050 MIN.
- PARTS CONFORM TO PRODUCT SPECIFICATION PS-08-50.
- PACKAGING INFORMATION: SEE LEGEND.
- PIN PUSHOUT FORCE: PRIOR TO SOLDERING, A 3 POUND MINIMUM FORCE (IN EITHER DIRECTION) SHALL BE REQUIRED TO PUSH THE PIN OUT OF THE HEADER.

6	RI
5	RI
4	RI
3	RI
2	RI
1	RI
SH.	REV.

ADD P/N 50-29-1770 FCC NO: UCP2006-1782 DRAWN: ADERR 2006/05/24 CHKD: LSJHMT 2006/06/06 APPR: FSM TH 2006/06/06 REV: R1	QUALITY SYMBOLS ▽=0 ▽=0 ▽=1	GENERAL TOLERANCES (UNLESS SPECIFIED) <table border="1"> <tr><th>mm</th><th>INCH</th></tr> <tr><td>4 PLACES ± ---</td><td>± ---</td></tr> <tr><td>3 PLACES ± ---</td><td>± ---</td></tr> <tr><td>2 PLACES ± ---</td><td>± ---</td></tr> <tr><td>1 PLACE ± ---</td><td>± ---</td></tr> </table>	mm	INCH	4 PLACES ± ---	± ---	3 PLACES ± ---	± ---	2 PLACES ± ---	± ---	1 PLACE ± ---	± ---	DIMENSION STYLE MM/IN	SCALE ---	DESIGN UNITS INCH	THIRD ANGLE PROJECTION
		mm	INCH													
4 PLACES ± ---	± ---															
3 PLACES ± ---	± ---															
2 PLACES ± ---	± ---															
1 PLACE ± ---	± ---															
DRAFT WHERE APPLICABLE MUST REMAIN WITHIN DIMENSIONS	DRAWN BY KSS	DATE 1984/10/30	CHECKED BY DMS	DATE 1984/10/30	APPROVED BY KJA	DATE 1984/10/30										
MATERIAL NO.		SEE CHART		DOCUMENT NO. SDA-2220		SHEET NO. 1 OF 6										
THIS DRAWING CONTAINS INFORMATION THAT IS PROPRIETARY TO MOLEX INCORPORATED AND SHOULD NOT BE USED WITHOUT WRITTEN PERMISSION																

	13	12	11	10	9	8	7	6	5	4	3	2	1			
J	ENG. NO.	PIN NO.	DIM. L	DIM. X	DIM. Z	DIM. Y	DIM. W	DIM. T	ENG. NO.	PIN NO.	DIM. L	DIM. X	DIM. Z	DIM. Y	DIM. W	DIM. T
	A-2220-NA102	2161-5(102)	(34.93) 1.375	(15.88) .625	(16.13) .635				A-2220-NJ102	2161-7(102)	(39.67) 1.562	(31.75) 1.250	(5.00) .197			
	A-2220-NA123	2161-5(123)	(34.93) 1.375	(15.88) .625	(16.13) .635				A-2220-NK102	2161-24(102)	(20.32) .800	(10.16) .400	(7.24) .285			
I	A-2220-NA505	VOIDED							A-2220-NK501	2161-24(501)	(20.32) .800	(10.16) .400	(7.24) .285			
	A-2220-NA509	VOIDED							A-2220-NL102	2161-16(102)	(25.40) 1.000	(11.43) .450	(11.05) .435			
	A-2220-NA501	2161-5(501)	(34.93) 1.375	(15.88) .625	(16.13) .635				A-2220-NM102	2161-26(102)	(22.23) .875	(9.65) .380	(9.65) .380			
H	A-2220-NAA501	2161-16(501)	(25.40) 1.000	(16.89) .665	(5.59) .220				A-2220-NP102	VOIDED						
	A-2220-NAB501	2161-13(501)	(42.42) 1.670	(16.89) .665	(22.61) .890				A-2220-NS501	VOIDED						
	A-2220-NAE102	2161-38(102)	(38.10) 1.500	(19.05) .750	(16.13) .635				A-2220-NV102	2161-7(102)	(39.67) 1.562	(22.61) .890	(14.15) .557			
	A-2220-NAF102	2161-21(102)	(28.58) 1.125	(11.43) .450	(14.22) .560				A-2220-NW102	VOIDED						
G	A-2220-NAJ102	2161-5(102)	(34.93) 1.375	(8.20) .323	(23.80) .937				A-2220-NY102	2161-19(102)	(26.21) 1.032	(10.01) .394	(13.28) .523			
	A-2220-NAL102	2161-5(102)	(34.93) 1.375	(12.70) .500	(19.30) .760				A-2220-NZ501	VOIDED						
	A-2220-NAM102	2161-11(102)	(19.05) .750	(14.73) .580	(1.40) .055				A-2220-NAR102	2161-20(102)	(46.02) 1.812	(20.50) .807	(22.61) .890			
F	A-2220-NAN102	2161-18(102)	(33.32) 1.312	(19.05) .750	(11.35) .447				A-2220-NAR501	2161-20(501)	(46.02) 1.812	(20.50) .807	(22.61) .890	SEE SHEET 6		
	A-2220-NAP102	2161-52(102)	(27.00) 1.063	(12.70) .500	(11.38) .448				A-2220-NAS102	VOIDED						
	A-2220-NB102	2161-11(102)	(44.45) 1.750	(18.24) .718	(23.29) .917				A-2220-NAT102	VOIDED						
E	A-2220-NB501	2161-11(501)	(44.45) 1.750	(18.24) .718	(23.29) .917				A-2220-NAV122	2161-23(122)	(31.24) 1.230	(27.07) 1.066	(1.24) .049			
	A-2220-NB505	VOIDED							A-2220-NAV122	VOIDED						
	A-2220-NC102	2161-7(102)	(39.67) 1.562	(15.88) .625	(20.88) .822				A-2220-NAV503	2161-23(503)	(31.24) 1.230	(27.07) 1.066	(1.24) .049			
D	A-2220-NC501	2161-7(501)	(39.67) 1.562	(15.88) .625	(20.88) .822				A-2220-NAW503	VOIDED						
	A-2220-ND102	VOIDED							A-2220-NAY102	2161-5(102)	(34.93) 1.375	(13.72) .540	(18.29) .720			
	A-2220-ND501	VOIDED							A-2220-NA102A	2161-5(102)	(34.93) 1.375	(15.88) .625	(16.13) .635			
C	A-2220-NF102	2161-11(102)	(44.45) 1.750	(38.10) 1.500	(3.43) .135											
	A-2220-NH102	2161-20(102)	(46.02) 1.812	(39.67) 1.562	(3.43) .135											
	A-2220-NH501	2161-20(501)	(46.02) 1.812	(39.67) 1.562	(3.43) .135											

ADD A-2220-NA102A EC NO: UCP2006-1782 DRAWN: ADERR 2006/05/24 CHKD: LSH/MT 2006/06/06 APPR: FSM/TH 2006/06/06 R1 REV	QUALITY SYMBOLS 	GENERAL TOLERANCES (UNLESS SPECIFIED) <table border="1"> <tr> <th></th> <th>mm</th> <th>INCH</th> </tr> <tr> <td>4 PLACES</td> <td>± .15</td> <td>± .005</td> </tr> <tr> <td>3 PLACES</td> <td>± .10</td> <td>± .004</td> </tr> <tr> <td>2 PLACES</td> <td>± .075</td> <td>± .003</td> </tr> <tr> <td>1 PLACE</td> <td>± .05</td> <td>± .002</td> </tr> </table>		mm	INCH	4 PLACES	± .15	± .005	3 PLACES	± .10	± .004	2 PLACES	± .075	± .003	1 PLACE	± .05	± .002	DIMENSION STYLE MM/IN DRAWN BY DATE KSS 1984/10/30 CHECKED BY DATE DMS 1984/10/30 APPROVED BY DATE KJA 1984/10/30	SCALE --- DESIGN UNITS INCH THIRD ANGLE PROJECTION	TITLE WAFER ASSEMBLY CHASSIS MOUNT, KK 2220 SERIES DWG.
		mm	INCH																	
4 PLACES	± .15	± .005																		
3 PLACES	± .10	± .004																		
2 PLACES	± .075	± .003																		
1 PLACE	± .05	± .002																		
DRAFT WHERE APPLICABLE MUST REMAIN WITHIN DIMENSIONS	MATERIAL NO. SEE CHART SIZE C	DOCUMENT NO. SDA-2220 THIS DRAWING CONTAINS INFORMATION THAT IS PROPRIETARY TO MOLEX INCORPORATED AND SHOULD NOT BE USED WITHOUT WRITTEN PERMISSION	SHEET NO. 2 OF 6																	

	13	12	11	10	9	8	7	6	5	4	3	2	1	
	A-2220-NJ102		A-2220-NK102		A-2220-NK501		A-2220-NL102		A-2220-NM102		A-2220-NP102		VOID	
J	PART NO.	ENG. NO.	PART NO.	ENG. NO.	PART NO.	ENG. NO.	PART NO.	ENG. NO.	PART NO.	ENG. NO.	PART NO.	ENG. NO.	PART NO.	ENG. NO.
	09-57-1028	A-2220-2J102	09-57-1020	A-2220-2K102		A-2220-2K501	09-57-3026	A-2220-2L102		A-2220-2M102				
	09-57-1038	A-2220-3J102	09-57-1030	A-2220-3K102	09-78-1037	A-2220-3K501		A-2220-3L102		A-2220-3M102				
	09-57-1048	A-2220-4J102	09-57-1040	A-2220-4K102		A-2220-4K501	09-57-3046	A-2220-4L102		A-2220-4M102				
	09-57-1058	A-2220-5J102	09-57-1050	A-2220-5K102		A-2220-5K501	09-57-3056	A-2220-5L102		A-2220-5M102				
	09-57-1068	A-2220-6J102	09-57-1060	A-2220-6K102		A-2220-6K501	09-57-3066	A-2220-6L102		A-2220-6M102				
I	09-57-1078	A-2220-7J102	09-57-1070	A-2220-7K102		A-2220-7K501		A-2220-7L102		A-2220-7M102				
	09-57-1088	A-2220-8J102	09-57-1080	A-2220-8K102		A-2220-8K501		A-2220-8L102		A-2220-8M102				
	09-57-1098	A-2220-9J102	09-57-1090	A-2220-9K102		A-2220-9K501	09-57-3096	A-2220-9L102		A-2220-9M102				
	09-57-1108	A-2220-10J102	09-57-1100	A-2220-10K102		A-2220-10K501		A-2220-10L102		A-2220-10M102				
	09-57-1118	A-2220-11J102	09-57-1110	A-2220-11K102		A-2220-11K501		A-2220-11L102		A-2220-11M102				
	09-57-1128	A-2220-12J102	09-57-1120	A-2220-12K102		A-2220-12K501	09-57-3126	A-2220-12L102	09-57-3125	A-2220-12M102				
	09-57-1138	A-2220-13J102	09-57-1130	A-2220-13K102		A-2220-13K501		A-2220-13L102		A-2220-13M102				
H	09-57-1148	A-2220-14J102	09-57-1140	A-2220-14K102		A-2220-14K501		A-2220-14L102		A-2220-14M102				
	09-57-1158	A-2220-15J102	09-57-1150	A-2220-15K102		A-2220-15K501	09-57-3156	A-2220-15L102		A-2220-15M102				
	09-57-1168	A-2220-16J102	09-57-1160	A-2220-16K102		A-2220-16K501		A-2220-16L102		A-2220-16M102				
	09-57-1178	A-2220-17J102	09-57-1170	A-2220-17K102		A-2220-17K501		A-2220-17L102		A-2220-17M102				
	09-57-1188	A-2220-18J102	09-57-1180	A-2220-18K102		A-2220-18K501		A-2220-18L102		A-2220-18M102				
G														

	13	12	11	10	9	8	7	6	5	4	3	2	1	
	A-2220-NS501		A-2220-NV102		A-2220-NW102		A-2220-NY102		A-2220-NZ501		A-2220-NAR102		VOID	
F	PART NO.	ENG. NO.	PART NO.	ENG. NO.	PART NO.	ENG. NO.	PART NO.	ENG. NO.	PART NO.	ENG. NO.	PART NO.	ENG. NO.	PART NO.	ENG. NO.
			09-57-3023	A-2220-2V102			09-57-2024	A-2220-2Y102					A-2220-2AR102	
			09-57-3033	A-2220-3V102				A-2220-3Y102					A-2220-3AR102	
			09-57-3043	A-2220-4V102				A-2220-4Y102					A-2220-4AR102	
			09-57-3053	A-2220-5V102				A-2220-5Y102					A-2220-5AR102	
E			09-57-3063	A-2220-6V102			09-57-2064	A-2220-6Y102					A-2220-6AR102	
			09-57-3073	A-2220-7V102				A-2220-7Y102					A-2220-7AR102	
			09-57-3083	A-2220-8V102				A-2220-8Y102					A-2220-8AR102	
			09-57-3093	A-2220-9V102				A-2220-9Y102					A-2220-9AR102	
			09-57-3103	A-2220-10V102			09-57-2104	A-2220-10Y102					A-2220-10AR102	
			09-57-3113	A-2220-11V102				A-2220-11Y102					A-2220-11AR102	
			09-57-3123	A-2220-12V102				A-2220-12Y102					A-2220-12AR102	
D			09-57-3133	A-2220-13V102				A-2220-13Y102					A-2220-13AR102	
			09-57-3143	A-2220-14V102				A-2220-14Y102					A-2220-14AR102	
			09-57-3153	A-2220-15V102				A-2220-15Y102			09-57-4157		A-2220-15AR102	
			09-57-3163	A-2220-16V102				A-2220-16Y102					A-2220-16AR102	
			09-57-3173	A-2220-17V102				A-2220-17Y102					A-2220-17AR102	
			09-57-3183	A-2220-18V102				A-2220-18Y102					A-2220-18AR102	
C														

B	UPDATE TITLE BLOCK FC NO: UCP2006-1782 DRAWN: ADERR CHKD: LS: HMI DT APPR: ESM TH	2006/05/24 2006/06/06 2006/06/06	QUALITY SYMBOLS 	GENERAL TOLERANCES (UNLESS SPECIFIED) mm INCH 4 PLACES ± --- ± --- 3 PLACES ± --- ± --- 2 PLACES ± --- ± --- 1 PLACE ± --- ± --- ANGULAR ±1/2°	DIMENSION STYLE MM/IN DRAWN BY DATE KSS 1984/10/30 CHECKED BY DATE DMS 1984/10/30 APPROVED BY DATE KJA 1984/10/30	SCALE --- DESIGN UNITS INCH 	TITLE WAFER ASSEMBLY CHASSIS MOUNT, KK 2220 SERIES DWG.	MOLEX INCORPORATED	MATERIAL NO. SEE CHART	DOCUMENT NO. SDA-2220	SHEET NO. 5 OF 6
A											