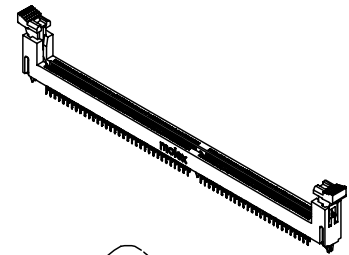
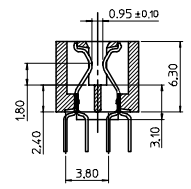
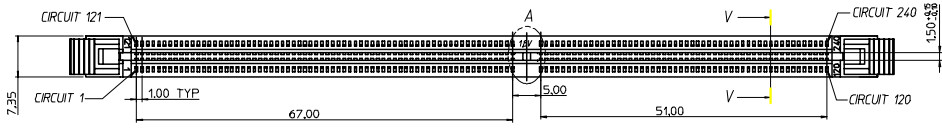
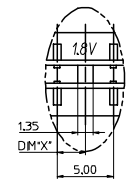
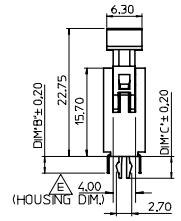
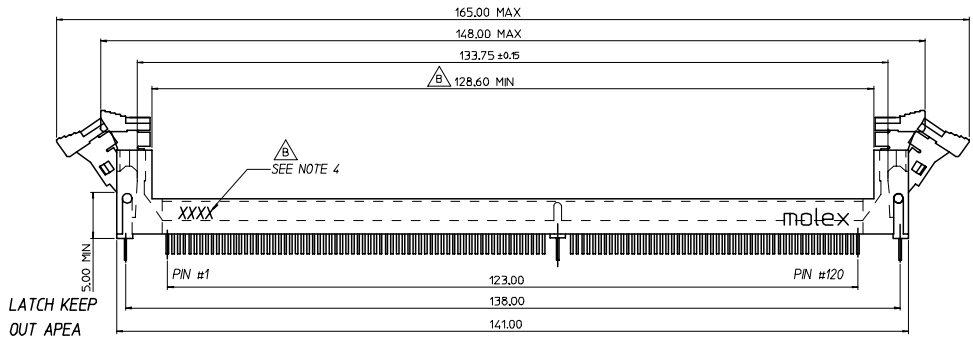


10 9 8 7 6 5 4 3 2 1

F



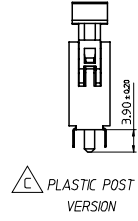
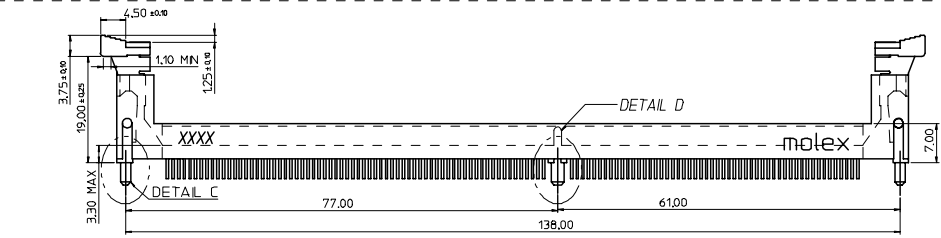
E



KEY LOCATION	VOLTAGE	DIM.'X'
CENTER	1.8V	2.50

KEY LOCATION	DIM.'B'	DIM.'C'	PCB THK
CENTER 1.8V	2.67	3.94	1.57
CENTER 1.8V	3.18	4.60	2.36

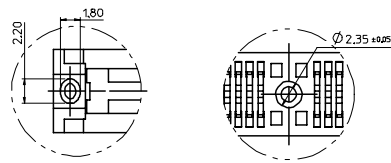
D



NOTES:

- MATERIAL:
  - HOUSING: SEE TABLE, GLASS FIBER FILLED UL94V-0, COLOR: SEE TABLE.
  - LATCH: GLASS FIBER FILLED UL94V-0, COLOR: SEE TABLE.
  - BOARDLOCK: BRASS
  - CONTACT: PHOSPHOR BRONZE.
- PLATING:
  - CONTACT AREA: GOLD PLATED, THICKNESS SEE TABLE.
  - SOLDER TAIL: 100 MICRON TIN OVER NICKEL OVERALL APPEARANCE: SEE TABLE.
  - FORKLOCK: 100 MICRON TIN OVER NICKEL OVERALL
- VOLTAGE: 1.8V
- DATE CODE= XXXX : YYWW
- PRODUCT SPECIFICATION REFER TO PS-48206-001.
- PACKAGING SPECIFICATION REFER TO PK-48206-001.
- TEST SUMMARY: REFER TO TS-48206-001.
- LEAD-FREE AND ROHS COMPLIANCE PRODUCT.

C

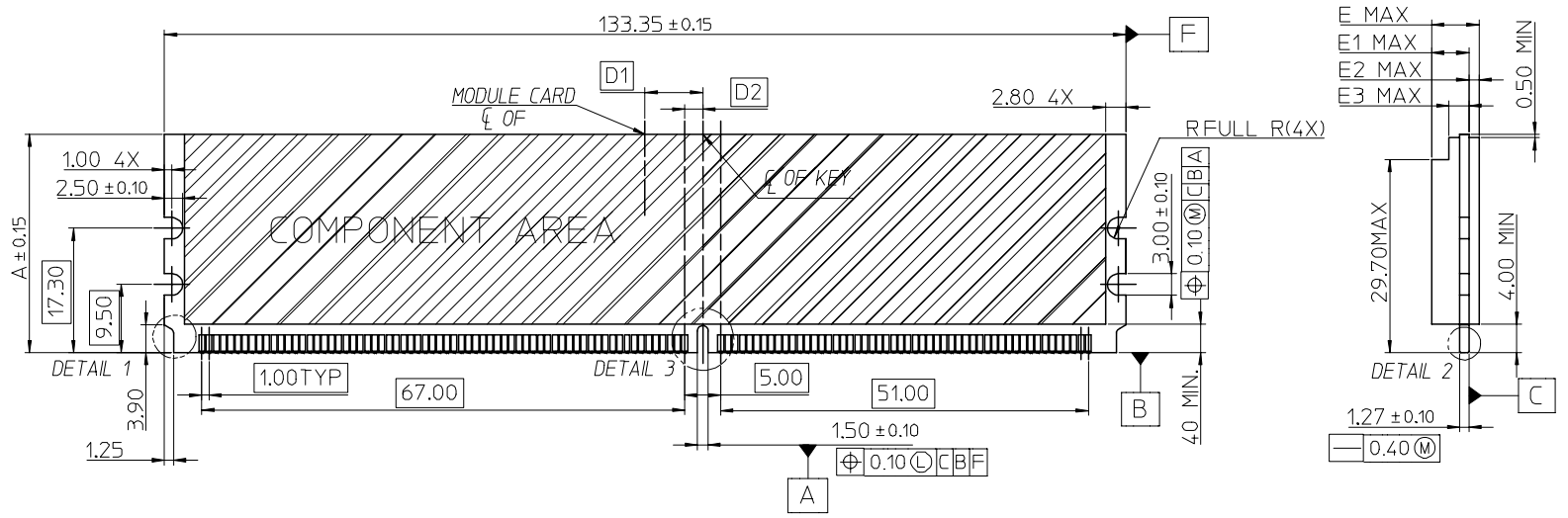


B

A

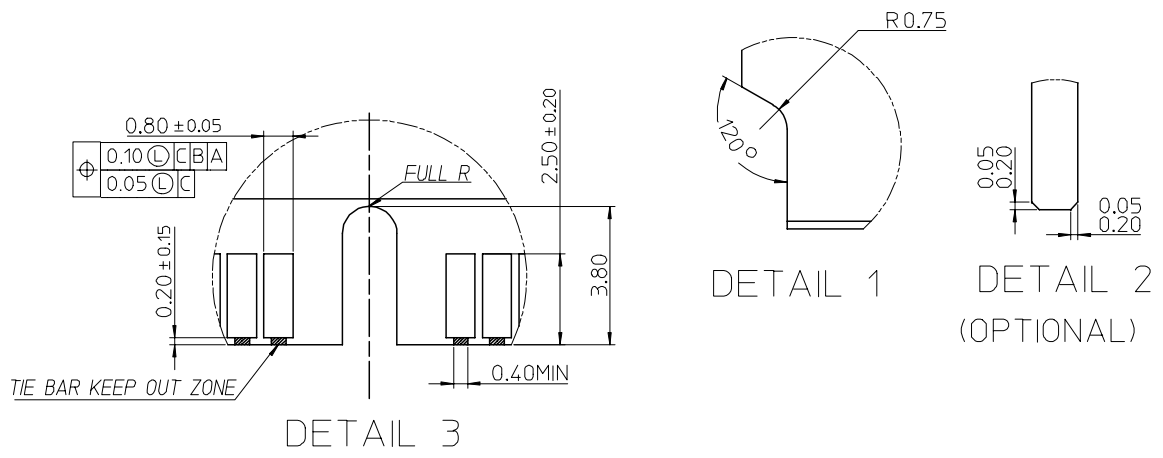
REVISED FOR TYPO EC NO: SH2008-0027 DRWN: ALLIN 2007/07/13 CHKD: 2007/07/13 APPR: WWSCHANG 2007/07/13	QUALITY SYMBOLS ▽=0 ▽=0	GENERAL TOLERANCES (UNLESS SPECIFIED)		DIMENSION STYLE MM ONLY		SCALE 1:1	DESIGN UNITS METRIC	THIRD ANGLE PROJECTION			
		4 PLACES ± --- ± ---	3 PLACES ± --- ± ---	2 PLACES ± 0.25 ± ---	1 PLACE ± 0.25 ± ---	DRAWN BY TOM	DATE 2005/03/26	TITLE 1.0MM PITCH FB DIMM 240 CKTS VERTICAL SOCKET			
		ANGULAR ± 3 °				CHECKED BY ALLEN LIN	DATE 2005/03/27				
		DRAFT WHERE APPLICABLE MUST REMAIN WITHIN DIMENSIONS				APPROVED BY WILSON	DATE 2005/03/27	MOLEX INCORPORATED		SHEET NO. 1 OF 6	

9 8 7 6 5 4 3 2 1

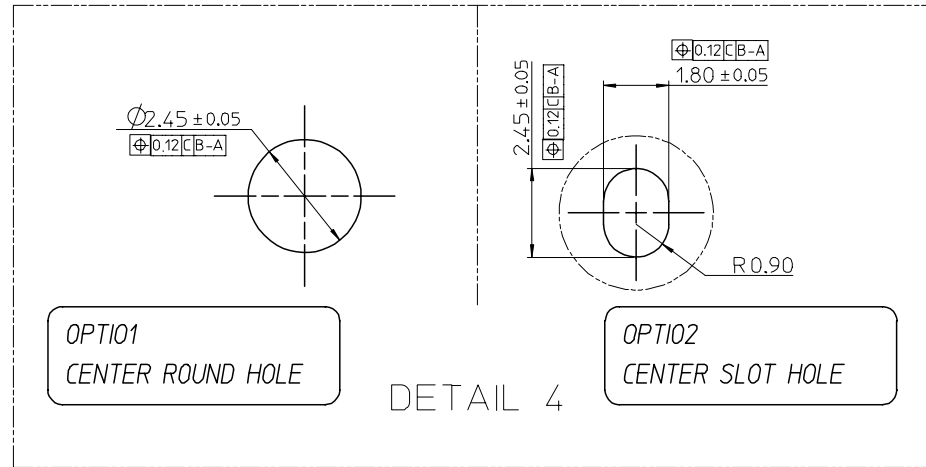
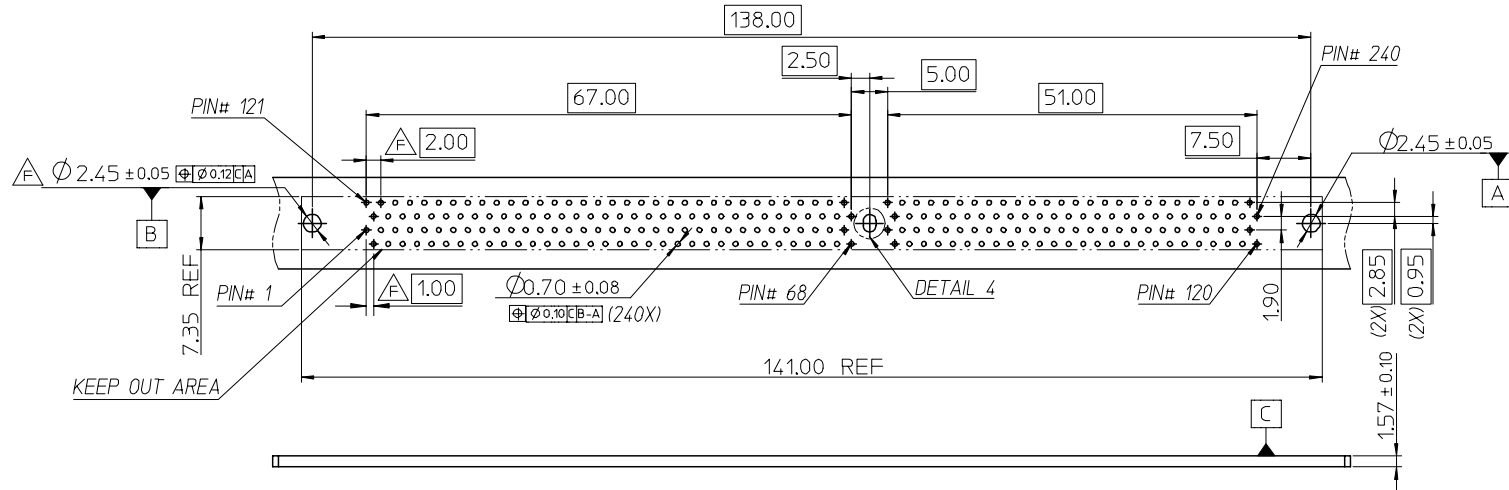


VAR	AB
A	30.35
D1	8.00 BASIC
D2	2.50 BASIC
E	8.20 MAX
E1	6.80 MAX
E2	1.40 MAX
E3	2.80 MAX

NOTES:  
1. TOLERANCE ON ALL DIMENS ± 0.15  
UNLESS OTHERWISE NOTED



SEE SHEET 1 EC NO: SH2008-0027 DRWN: ALLIN 2007/07/13 CHKD: 2007/07/13 APPR: WISCHANG 2007/07/13	QUALITY SYMBOLS	GENERAL TOLERANCES (UNLESS SPECIFIED)	DIMENSION STYLE	SCALE	DESIGN UNITS	THIRD ANGLE PROJECTION																		
	$\nabla=0$ $\sphericalangle=0$	<table border="1"> <thead> <tr> <th></th> <th>mm</th> <th>INCH</th> </tr> </thead> <tbody> <tr> <td>4 PLACES</td> <td>± ---</td> <td>± ---</td> </tr> <tr> <td>3 PLACES</td> <td>± ---</td> <td>± ---</td> </tr> <tr> <td>2 PLACES</td> <td>± 0.25</td> <td>± ---</td> </tr> <tr> <td>1 PLACE</td> <td>± 0.25</td> <td>± ---</td> </tr> <tr> <td colspan="3">ANGULAR ± 3 °</td> </tr> </tbody> </table>		mm	INCH	4 PLACES	± ---	± ---	3 PLACES	± ---	± ---	2 PLACES	± 0.25	± ---	1 PLACE	± 0.25	± ---	ANGULAR ± 3 °			MM ONLY	1:1	METRIC	
		mm	INCH																					
	4 PLACES	± ---	± ---																					
3 PLACES	± ---	± ---																						
2 PLACES	± 0.25	± ---																						
1 PLACE	± 0.25	± ---																						
ANGULAR ± 3 °																								
DRAFT WHERE APPLICABLE MUST REMAIN WITHIN DIMENSIONS	SEE TABLE	DRAWN BY: TOM DATE: 2005/03/26 CHECKED BY: ALLEN LIN DATE: 2005/03/27 APPROVED BY: WILSON DATE: 2005/03/27	TITLE	1.0MM PITCH FB DIMM 240 CKTS VERTICAL SOCKET																				
			MATERIAL NO.	DOCUMENT NO.	SHEET NO.																			
					2 OF 6																			



SEE SHEET 1	DESCRIPTION
EC NO: SH2008-0027	2007/07/13
DRWN: ALLIN	2007/07/13
CHKD:	
APPR: WWSCHANG	2007/07/13
REV	

QUALITY SYMBOLS	DESCRIPTION
$\nabla = 0$	
$\triangle = 0$	

GENERAL TOLERANCES (UNLESS SPECIFIED)	mm	INCH
4 PLACES	$\pm$ ---	$\pm$ ---
3 PLACES	$\pm$ ---	$\pm$ ---
2 PLACES	$\pm 0.25$	$\pm$ ---
1 PLACE	$\pm 0.25$	$\pm$ ---
ANGULAR $\pm 3^\circ$		
DRAFT WHERE APPLICABLE MUST REMAIN WITHIN DIMENSIONS		

DIMENSION STYLE		SCALE	DESIGN UNITS	THIRD ANGLE PROJECTION
MM ONLY		1:1	METRIC	
DRAWN BY	DATE	TITLE		
TOM	2005/03/26	1.0MM PITCH FB DIMM		
CHECKED BY	DATE	240 CKTS VERTICAL SOCKET		
ALLEN LIN	2005/03/27			
APPROVED BY	DATE			
WILSON	2005/03/27			
MATERIAL NO.		DOCUMENT NO.		SHEET NO.
		SD-48206-001		3 OF 6
SIZE	THIS DRAWING CONTAINS INFORMATION THAT IS PROPRIETARY TO MOLEX INCORPORATED AND SHOULD NOT BE USED WITHOUT WRITTEN PERMISSION			
A3				

DRAWN BY		DATE	TITLE
TOM		2005/03/26	1.0MM PITCH FB DIMM
CHECKED BY		DATE	240 CKTS VERTICAL SOCKET
ALLEN LIN		2005/03/27	
APPROVED BY		DATE	
WILSON		2005/03/27	
MATERIAL NO.		DOCUMENT NO.	
		SD-48206-001	
SIZE		SHEET NO.	
A3		3 OF 6	

MOLEX P/N	HOUSING MATERIAL	HOUSING COLOR	LATCH COLOR	ALIGN MODE	CONTACT		PCB THICKNESS	SOLDER-TAIL APPEARANCE
					PLATING			
48206-0001	NYLON46/BLACK	WHITE	METAL FORK-LOCK		15 MICRONCH	157MM		
48206-0002					30 MICRONCH	157MM		
48206-0003					15 MICRONCH	2.36MM		
48206-0004					30 MICRONCH	2.36MM		
48206-0005					GOLD FLASH	157MM		
48206-0006	NYLON46/BLACK	WHITE	PLASTIC POST		15 MICRONCH	157MM		
48206-0012					30 MICRONCH	157MM		
48206-0013					15 MICRONCH	2.36MM		
48206-0014					30 MICRONCH	2.36MM		
48206-0015					GOLD FLASH	157MM		
48206-0016	NYLON46/BLACK	BLACK	METAL FORK-LOCK		15 MICRONCH	157MM	BRIGHT	
48206-0101					30 MICRONCH	157MM		
48206-0102					15 MICRONCH	2.36MM		
48206-0103					30 MICRONCH	2.36MM		
48206-0104					GOLD FLASH	157MM		
48206-0105	NYLON46/BLACK	BLACK	PLASTIC POST		15 MICRONCH	157MM		
48206-0106					30 MICRONCH	157MM		
48206-0111					15 MICRONCH	2.36MM		
48206-0112					30 MICRONCH	2.36MM		
48206-0113					GOLD FLASH	157MM		
48206-0114	NYLON46/WHITE	WHITE	METAL FORK-LOCK		15 MICRONCH	157MM		
48206-0115					30 MICRONCH	157MM		
48206-0116					15 MICRONCH	2.36MM		
48206-1001					30 MICRONCH	2.36MM		
48206-1002					GOLD FLASH	157MM		
48206-1003	NYLON46/WHITE	WHITE	PLASTIC POST		15 MICRONCH	157MM		
48206-1004					30 MICRONCH	157MM		
48206-1005					15 MICRONCH	2.36MM		
48206-1006					30 MICRONCH	2.36MM		
48206-1011					GOLD FLASH	157MM		
48206-1012	NYLON46/WHITE	BLACK	METAL FORK-LOCK		15 MICRONCH	157MM		
48206-1013					30 MICRONCH	157MM		
48206-1014					15 MICRONCH	2.36MM		
48206-1015					30 MICRONCH	2.36MM		
48206-1016					GOLD FLASH	157MM		
48206-1101	NYLON46/WHITE	BLACK	PLASTIC POST		15 MICRONCH	157MM		
48206-1102					30 MICRONCH	157MM		
48206-1103					15 MICRONCH	2.36MM		
48206-1104					30 MICRONCH	2.36MM		
48206-1105					GOLD FLASH	157MM		
48206-1106	NYLON46/WHITE	BLACK			15 MICRONCH	157MM		
48206-1111					30 MICRONCH	157MM		
48206-1112					15 MICRONCH	2.36MM		
48206-1113					30 MICRONCH	2.36MM		
48206-1114					GOLD FLASH	157MM		
48206-1115	NYLON46/WHITE	BLACK			15 MICRONCH	157MM		
48206-1116					30 MICRONCH	2.36MM		

MOLEX P/N	HOUSING MATERIAL	HOUSING COLOR	LATCH COLOR	ALIGN MODE	CONTACT		PCB THICKNESS	SOLDER-TAIL APPEARANCE
					PLATING			
48206-2001	NYLON46/GREEN (348C)	WHITE	METAL FORK-LOCK		15 MICRONCH	157MM		
48206-2002					30 MICRONCH	157MM		
48206-2003					15 MICRONCH	2.36MM		
48206-2004					30 MICRONCH	2.36MM		
48206-2005					GOLD FLASH	157MM		
48206-2006	NYLON46/GREEN (348C)	WHITE	PLASTIC POST		15 MICRONCH	157MM		
48206-2011					30 MICRONCH	157MM		
48206-2012					15 MICRONCH	2.36MM		
48206-2013					30 MICRONCH	2.36MM		
48206-2014					GOLD FLASH	157MM		
48206-2015	NYLON46/GREEN (348C)	BLACK	METAL FORK-LOCK		15 MICRONCH	157MM	BRIGHT	
48206-2101					30 MICRONCH	157MM		
48206-2102					15 MICRONCH	2.36MM		
48206-2103					30 MICRONCH	2.36MM		
48206-2104					GOLD FLASH	157MM		
48206-2105	NYLON46/GREEN (348C)	BLACK	PLASTIC POST		15 MICRONCH	157MM		
48206-2106					30 MICRONCH	157MM		
48206-2111					15 MICRONCH	2.36MM		
48206-2112					30 MICRONCH	2.36MM		
48206-2113					GOLD FLASH	157MM		
48206-2114	NYLON46/PURPLE (2736U)	WHITE	METAL FORK-LOCK		15 MICRONCH	157MM		
48206-2115					30 MICRONCH	157MM		
48206-2116					15 MICRONCH	2.36MM		
48206-3001					30 MICRONCH	2.36MM		
48206-3002					GOLD FLASH	157MM		
48206-3003	NYLON46/PURPLE (2736U)	WHITE	PLASTIC POST		15 MICRONCH	157MM		
48206-3004					30 MICRONCH	157MM		
48206-3005					15 MICRONCH	2.36MM		
48206-3006					30 MICRONCH	2.36MM		
48206-3011					GOLD FLASH	157MM		
48206-3012	NYLON46/PURPLE (2736U)	BLACK	METAL FORK-LOCK		15 MICRONCH	157MM		
48206-3013					30 MICRONCH	157MM		
48206-3014					15 MICRONCH	2.36MM		
48206-3015					30 MICRONCH	2.36MM		
48206-3016					GOLD FLASH	157MM		
48206-3101	NYLON46/PURPLE (2736U)	BLACK	PLASTIC POST		15 MICRONCH	157MM		
48206-3102					30 MICRONCH	157MM		
48206-3103					15 MICRONCH	2.36MM		
48206-3104					30 MICRONCH	2.36MM		
48206-3105					GOLD FLASH	157MM		
48206-3106	NYLON46/PURPLE (2736U)	BLACK			15 MICRONCH	157MM		
48206-3111					30 MICRONCH	157MM		
48206-3112					15 MICRONCH	2.36MM		
48206-3113					30 MICRONCH	2.36MM		
48206-3114					GOLD FLASH	157MM		
48206-3115	NYLON46/PURPLE (2736U)	BLACK			15 MICRONCH	157MM		
48206-3116					30 MICRONCH	2.36MM		

SEE SHEET 1 EC NO: SH2008-0027 DRWN:ALLIN 2007/07/13 CHKD: 2007/07/13 APPR:WWSCHANG 2007/07/13	QUALITY SYMBOLS ▽=0 ◁=0	GENERAL TOLERANCES (UNLESS SPECIFIED)		DIMENSION STYLE MM ONLY		SCALE 1:1	DESIGN UNITS METRIC	THIRD ANGLE PROJECTION		
						DRAWN BY TOM		DATE 2005/03/26		TITLE 1.0MM PITCH FB DIMM 240 CKTS VERTICAL SOCKET
						CHECKED BY ALLEN LIN		DATE 2005/03/27		
						APPROVED BY WILSON		DATE 2005/03/27		MOLEX INCORPORATED DOCUMENT NO. SD-48206-001 SHEET NO. 4 OF 6
DRAFT WHERE APPLICABLE MUST REMAIN WITHIN DIMENSIONS				SEE TABLE						

MOLEX P/N	HOUSING MATERIAL	HOUSING COLOR	LATCH COLOR	ALIGN MODE	CONTACT		PCB THICKNESS	SOLDER-TAIL APPEARANCE
					PLATING			
48206-4001	NYLON46/BLUE (287U)	WHITE	METAL FORK-LOCK		15 MICRONCH	1.57MM	BRIGHT	
48206-4002					30 MICRONCH	1.57MM		
48206-4003					15 MICRONCH	2.36MM		
48206-4004					30 MICRONCH	2.36MM		
48206-4005					GOLD FLASH	1.57MM		
48206-4006	NYLON46/BLUE (287U)	WHITE	PLASTIC POST		GOLD FLASH	2.36MM		
48206-4011					15 MICRONCH	1.57MM		
48206-4012					30 MICRONCH	1.57MM		
48206-4013					15 MICRONCH	2.36MM		
48206-4014					30 MICRONCH	2.36MM		
48206-4015	GOLD FLASH	1.57MM						
48206-4016	NYLON46/BLUE (287U)	BLACK	METAL FORK-LOCK		GOLD FLASH	2.36MM		
48206-4101					15 MICRONCH	1.57MM		
48206-4102					30 MICRONCH	1.57MM		
48206-4103					15 MICRONCH	2.36MM		
48206-4104					30 MICRONCH	2.36MM		
48206-4105	GOLD FLASH	1.57MM						
48206-4106	NYLON46/BLUE (287U)	BLACK	PLASTIC POST		GOLD FLASH	2.36MM		
48206-4111					15 MICRONCH	1.57MM		
48206-4112					30 MICRONCH	1.57MM		
48206-4113					15 MICRONCH	2.36MM		
48206-4114					30 MICRONCH	2.36MM		
48206-4115	GOLD FLASH	1.57MM						
48206-4116	NYLON66/BLACK	WHITE	METAL FORK-LOCK		GOLD FLASH	2.36MM		
48206-5001					15 MICRONCH	1.57MM		
48206-5002					30 MICRONCH	1.57MM		
48206-5003					15 MICRONCH	2.36MM		
48206-5004					30 MICRONCH	2.36MM		
48206-5005	NYLON66/BLACK	WHITE	PLASTIC POST		GOLD FLASH	1.57MM		
48206-5006					15 MICRONCH	1.57MM		
48206-5011					30 MICRONCH	1.57MM		
48206-5012					15 MICRONCH	2.36MM		
48206-5013					30 MICRONCH	2.36MM		
48206-5014	NYLON66/BLACK	BLACK	METAL FORK-LOCK		GOLD FLASH	1.57MM		
48206-5015					15 MICRONCH	1.57MM		
48206-5016					GOLD FLASH	2.36MM		
48206-5101					15 MICRONCH	1.57MM		
48206-5102					30 MICRONCH	1.57MM		
48206-5103	NYLON66/BLACK	BLACK	PLASTIC POST		15 MICRONCH	2.36MM		
48206-5104					30 MICRONCH	2.36MM		
48206-5105					GOLD FLASH	1.57MM		
48206-5106					GOLD FLASH	2.36MM		
48206-5111					15 MICRONCH	1.57MM		
48206-5112	NYLON66/BLACK	BLACK	PLASTIC POST		30 MICRONCH	1.57MM		
48206-5113					15 MICRONCH	2.36MM		
48206-5114					30 MICRONCH	2.36MM		
48206-5115					GOLD FLASH	1.57MM		
48206-5116					GOLD FLASH	2.36MM		

MOLEX P/N	HOUSING MATERIAL	HOUSING COLOR	LATCH COLOR	ALIGN MODE	CONTACT		PCB THICKNESS	SOLDER-TAIL APPEARANCE
					PLATING			
48206-6001	NYLON66/WHITE	WHITE	METAL FORK-LOCK		15 MICRONCH	1.57MM	BRIGHT	
48206-6002					30 MICRONCH	1.57MM		
48206-6003					15 MICRONCH	2.36MM		
48206-6004					30 MICRONCH	2.36MM		
48206-6005					GOLD FLASH	1.57MM		
48206-6006	NYLON66/WHITE	WHITE	PLASTIC POST		GOLD FLASH	2.36MM		
48206-6011					15 MICRONCH	1.57MM		
48206-6012					30 MICRONCH	1.57MM		
48206-6013					15 MICRONCH	2.36MM		
48206-6014					30 MICRONCH	2.36MM		
48206-6015	NYLON66/WHITE	BLACK	METAL FORK-LOCK		GOLD FLASH	1.57MM		
48206-6016					15 MICRONCH	1.57MM		
48206-6101					30 MICRONCH	1.57MM		
48206-6102					15 MICRONCH	2.36MM		
48206-6103					30 MICRONCH	2.36MM		
48206-6104	NYLON66/WHITE	BLACK	PLASTIC POST		GOLD FLASH	1.57MM		
48206-6105					15 MICRONCH	1.57MM		
48206-6106					GOLD FLASH	2.36MM		
48206-6111					15 MICRONCH	1.57MM		
48206-6112					30 MICRONCH	1.57MM		
48206-6113	NYLON66/WHITE	BLACK	METAL FORK-LOCK		15 MICRONCH	2.36MM		
48206-6114					30 MICRONCH	2.36MM		
48206-6115					GOLD FLASH	1.57MM		
48206-6116					GOLD FLASH	2.36MM		
48206-7001					NYLON66/GREEN (348C)	WHITE	METAL FORK-LOCK	
48206-7002	30 MICRONCH	1.57MM						
48206-7003	15 MICRONCH	2.36MM						
48206-7004	30 MICRONCH	2.36MM						
48206-7005	GOLD FLASH	1.57MM						
48206-7006	NYLON66/GREEN (348C)	WHITE	PLASTIC POST		GOLD FLASH	2.36MM		
48206-7011					15 MICRONCH	1.57MM		
48206-7012					30 MICRONCH	1.57MM		
48206-7013					15 MICRONCH	2.36MM		
48206-7014					30 MICRONCH	2.36MM		
48206-7015	NYLON66/GREEN (348C)	BLACK	METAL FORK-LOCK		GOLD FLASH	1.57MM		
48206-7016					15 MICRONCH	1.57MM		
48206-7101					30 MICRONCH	1.57MM		
48206-7102					15 MICRONCH	2.36MM		
48206-7103					30 MICRONCH	2.36MM		
48206-7104	NYLON66/GREEN (348C)	BLACK	PLASTIC POST		GOLD FLASH	1.57MM		
48206-7105					15 MICRONCH	1.57MM		
48206-7106					GOLD FLASH	2.36MM		
48206-7111					15 MICRONCH	1.57MM		
48206-7112					30 MICRONCH	1.57MM		
48206-7113	NYLON66/GREEN (348C)	BLACK	PLASTIC POST		15 MICRONCH	2.36MM		
48206-7114					30 MICRONCH	2.36MM		
48206-7115					GOLD FLASH	1.57MM		
48206-7116					GOLD FLASH	2.36MM		

SEE SHEET 1	QUALITY SYMBOLS
EC NO: SH2008-0027	▽=0
DRWN:ALLIN	△=0
CHKD:	
APPR:WMSCHANG	
REV	DESCRIPTION

GENERAL TOLERANCES (UNLESS SPECIFIED)	
mm	INCH
4 PLACES ± .005	± .0005
3 PLACES ± .005	± .0005
2 PLACES ± 0.25	± .010
1 PLACE ± 0.25	± .010
ANGULAR ± 3°	
DRAFT WHERE APPLICABLE MUST REMAIN WITHIN DIMENSIONS	

DIMENSION STYLE	
MM ONLY	
DRAWN BY	DATE
TOM	2005/03/26
CHECKED BY	DATE
ALLEN LIN	2005/03/27
APPROVED BY	DATE
WILSON	2005/03/27
MATERIAL NO.	
SEE TABLE	
SIZE	
A3	

SCALE	DESIGN UNITS	THIRD ANGLE PROJECTION	
1:1	METRIC		
TITLE			
1.0MM PITCH FB DIMM			
240 CKTS VERTICAL SOCKET			
MOLEX INCORPORATED		SHEET NO.	
SD-48206-001		5 OF 6	
THIS DRAWING CONTAINS INFORMATION THAT IS PROPRIETARY TO MOLEX INCORPORATED AND SHOULD NOT BE USED WITHOUT WRITTEN PERMISSION			

10 9 8 7 6 5 4 3 2 1

F

E

D

C

B

A

F

E

D

C

B

A

MOLEX P/N	HOUSING MATERIAL	HOUSING COLOR	LATCH COLOR	ALIGN MODE	CONTACT		SOLDER-TAIL APPEARANCE
					PLATING	PCB THICKNESS	
48206-8001	NYLON66/PURPLE (2736U)	WHITE	METAL FORK-LOCK	METAL FORK-LOCK	15 MICRONCH	157MM	BRIGHT
48206-8002					30 MICRONCH	157MM	
48206-8003					15 MICRONCH	2.36MM	
48206-8004					30 MICRONCH	2.36MM	
48206-8005					GOLD FLASH	157MM	
48206-8006					GOLD FLASH	2.36MM	
48206-8011	NYLON66/PURPLE (2736U)	WHITE	PLASTIC POST	PLASTIC POST	15 MICRONCH	157MM	
48206-8012					30 MICRONCH	157MM	
48206-8013					15 MICRONCH	2.36MM	
48206-8014					30 MICRONCH	2.36MM	
48206-8015					GOLD FLASH	157MM	
48206-8016					GOLD FLASH	2.36MM	
48206-8101	NYLON66/PURPLE (2736U)	BLACK	METAL FORK-LOCK	METAL FORK-LOCK	15 MICRONCH	157MM	
48206-8102					30 MICRONCH	157MM	
48206-8103					15 MICRONCH	2.36MM	
48206-8104					30 MICRONCH	2.36MM	
48206-8105					GOLD FLASH	157MM	
48206-8106					GOLD FLASH	2.36MM	
48206-8111	NYLON66/PURPLE (2736U)	BLACK	PLASTIC POST	PLASTIC POST	15 MICRONCH	157MM	
48206-8112					30 MICRONCH	157MM	
48206-8113					15 MICRONCH	2.36MM	
48206-8114					30 MICRONCH	2.36MM	
48206-8115					GOLD FLASH	157MM	
48206-8116					GOLD FLASH	2.36MM	
48206-9001	NYLON66/BLUE (287U)	WHITE	METAL FORK-LOCK	METAL FORK-LOCK	15 MICRONCH	157MM	
48206-9002					30 MICRONCH	157MM	
48206-9003					15 MICRONCH	2.36MM	
48206-9004					30 MICRONCH	2.36MM	
48206-9005					GOLD FLASH	157MM	
48206-9006					GOLD FLASH	2.36MM	
48206-9011	NYLON66/BLUE (287U)	WHITE	PLASTIC POST	PLASTIC POST	15 MICRONCH	157MM	
48206-9012					30 MICRONCH	157MM	
48206-9013					15 MICRONCH	2.36MM	
48206-9014					30 MICRONCH	2.36MM	
48206-9015					GOLD FLASH	157MM	
48206-9016					GOLD FLASH	2.36MM	
48206-9101	NYLON66/BLUE (287U)	BLACK	METAL FORK-LOCK	METAL FORK-LOCK	15 MICRONCH	157MM	
48206-9102					30 MICRONCH	157MM	
48206-9103					15 MICRONCH	2.36MM	
48206-9104					30 MICRONCH	2.36MM	
48206-9105					GOLD FLASH	157MM	
48206-9106					GOLD FLASH	2.36MM	
48206-9111	NYLON66/BLUE (287U)	BLACK	PLASTIC POST	PLASTIC POST	15 MICRONCH	157MM	
48206-9112					30 MICRONCH	157MM	
48206-9113					15 MICRONCH	2.36MM	
48206-9114					30 MICRONCH	2.36MM	
48206-9115					GOLD FLASH	157MM	
48206-9116					GOLD FLASH	2.36MM	

MOLEX P/N	HOUSING MATERIAL	HOUSING COLOR	LATCH COLOR	ALIGN MODE	CONTACT		SOLDER-TAIL APPEARANCE
					PLATING	PCB THICKNESS	
48206-0007	NYLON46/BLACK	WHITE	METAL FORK-LOCK	METAL FORK-LOCK	15 MICRONCH	157MM	MATT
48206-0008					15 MICRONCH	2.36MM	

SEE SHEET 1	DESCRIPTION
EC NO: SH2008-0027	2007/07/13
DRWN:ALLIN	2007/07/13
CHKD:	
APPR:WWSCHANG	2007/07/13
REV	

QUALITY SYMBOLS	▽=0
	△=0

GENERAL TOLERANCES (UNLESS SPECIFIED)	mm	INCH
4 PLACES	± .005	± .0004
3 PLACES	± .005	± .0004
2 PLACES	± 0.25	± .010
1 PLACE	± 0.25	± .010
ANGULAR ± 3 °		
DRAFT WHERE APPLICABLE MUST REMAIN WITHIN DIMENSIONS		

DIMENSION STYLE		SCALE	DESIGN UNITS	THIRD ANGLE PROJECTION
MM ONLY		1:1	METRIC	
DRAWN BY	DATE	TITLE		
TOM	2005/03/26	1.0MM PITCH FB DIMM		
CHECKED BY	DATE	240 CKTS VERTICAL SOCKET		
ALLEN LIN	2005/03/27			
APPROVED BY	DATE	MOLEX INCORPORATED		
WILSON	2005/03/27			
MATERIAL NO.	DOCUMENT NO.	SHEET NO.		
	SD-48206-001	6 OF 6		
SIZE	THIS DRAWING CONTAINS INFORMATION THAT IS PROPRIETARY TO MOLEX INCORPORATED AND SHOULD NOT BE USED WITHOUT WRITTEN PERMISSION			
A3				

9 8 7 6 5 4 3 2 1