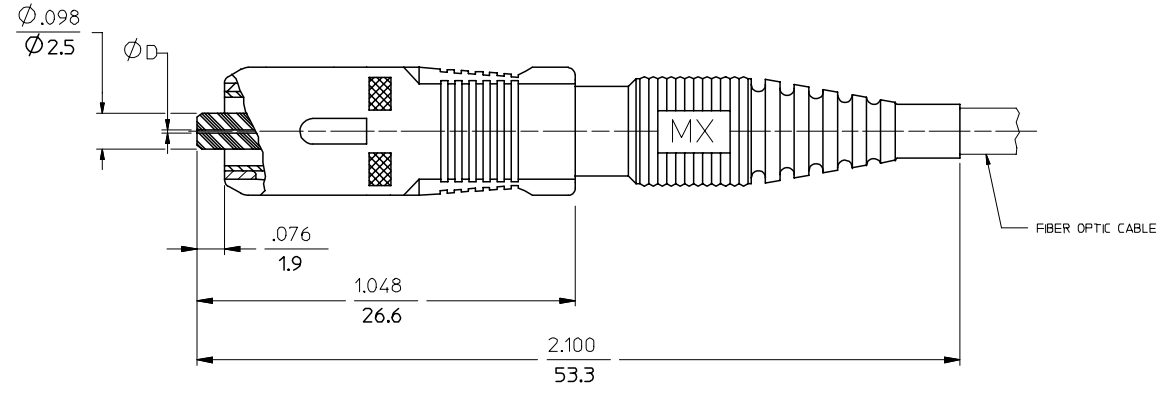
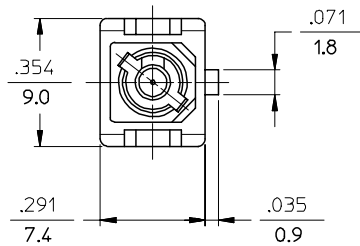


CONNECTOR P/N	Ø (4th)	FERRULE MATERIAL	BOOT COLOR	HOUSING COLOR	CONNECTOR TYPE	CABLE (mm)	CONNECTOR P/N	Ø (4th)	FERRULE MATERIAL	BOOT COLOR	HOUSING COLOR	CONNECTOR TYPE	CABLE (mm)	
106063-0000	127	Zr	BLUE	BLUE	MULTIMODE	3	106063-4000	125	Zr	YELLOW	BLUE	SINGLE MODE	3	
106063-0100								106063-4100		125.25	RED			RED
106063-0060								106063-4080		125	BLACK			BLACK
106063-0099			LOW COST Zr	BEIGE			BEIGE	106063-4070			YELLOW			BLUE
106063-0090								106063-5000			RED			RED
106063-0360					106063-5100	126	BLACK	BLACK						
106063-0080					106063-5080		YELLOW	BLUE						
106063-0070					106063-5070		RED	RED						
106063-2000					106063-7000		BLACK	BLACK						
106063-2080		125.5	Zr	RED	RED	SINGLE MODE	3	106063-7080		127	BLACK			BLACK
106063-2070								106063-7070		BLUE	BLUE			
106063-3000								106063-0300		YELLOW	BLUE			
106063-3060								106063-0310	125	YELLOW	BLUE			
106063-3080								106063-4300		YELLOW	BLUE			
106063-3070	128				MULTIMODE	3	106063-5300	126	YELLOW	BLUE	SINGLE MODE	2.4		
							106063-5310		YELLOW	BLUE				
							106063-5099		LOW COST Zr	YELLOW			BLUE	



NOTES:
 1. ALL DIMENSIONS ARE FOR REFERENCE ONLY.
 △ P/N 106063-0090, P/N 106063-5100, P/N 106063-0100, P/N 106063-0310 AND P/N 106063-5310 ARE BULK PACKED IN QUANTITIES OF 100 PCS.

ENTER DESCRIPTION EC NO: MF2008-0131 DRAWN/REV: ZNER 2007/09/21 CHKD: 2007/09/21 APPR: JGUMIN 2007/09/25 REV: C2	QUALITY SYMBOLS	GENERAL TOLERANCES (UNLESS SPECIFIED)	DIMENSION STYLE	SCALE	DESIGN UNITS	THIRD ANGLE PROJECTION	
	▽=0 ▽=0	mm INCH	IN/MM	5:1	INCH		
		4 PLACES ± --- ± --- 3 PLACES ± --- ± --- 2 PLACES ± --- ± --- 1 PLACE ± --- ± ---	DRAWN BY DATE RPACIFICI 2005/12/22	TITLE SC CONNECTOR (ONE PIECE DESIGN)			
		ANGULAR ±1/2°	CHECKED BY DATE APPROVED BY DATE	MATERIAL NO. DOCUMENT NO. SHEET NO. SEE TABLE SD-106063-XXX0 1 OF 1			
		DRAFT WHERE APPLICABLE MUST REMAIN WITHIN DIMENSIONS	THIS DRAWING CONTAINS INFORMATION THAT IS PROPRIETARY TO MOLEX INCORPORATED AND SHOULD NOT BE USED WITHOUT WRITTEN PERMISSION				