

## 125 Watt (Enclosed) AC/DC Converter

- ENCLOSED SWITCHING POWER SUPPLY
- UNIVERSAL INPUT RANGE 90...264 VAC, 47...63HZ OR 120...370VDC
- ULTRA COMPACT SIZE
- 3000 VAC INPUT-OUTPUT ISOLATION
- REGULATED OUTPUT
- 125W WITH 18CFM FAN
- EFFICIENCY UP TO 75%
- PFC FUNCTION

## ELECTRICAL SPECIFICATIONS

All specifications valid at nominal Input voltage, full load and +25°C after warm-up time unless otherwise stated.

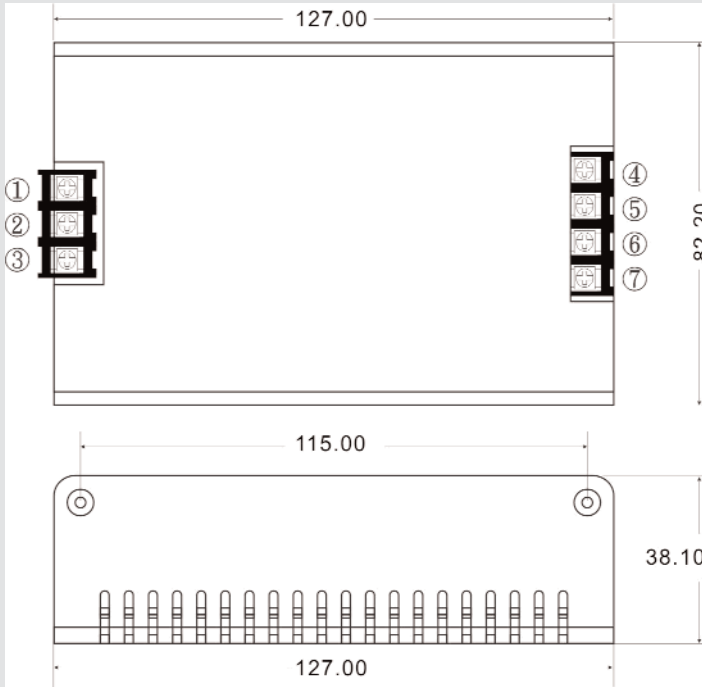
| Model No. (Single Output)        | AME125-3.3S                         | AME125-5S | AME125-12S | AME125-15S | AME125-24S | AME125-48S |  |
|----------------------------------|-------------------------------------|-----------|------------|------------|------------|------------|--|
| Max. Output Wattage (Convection) | 52W                                 | 80W       | 95W        | 95W        | 95W        | 95W        |  |
| Max. Output Wattage (18CFM Fan)  | 82.5W                               | 125W      | 120W       | 125W       | 125W       | 125W       |  |
| Input                            | Voltage                             |           |            |            |            |            | 90-260 VAC or 120-370 VDC  |
|                                  | Frequency (Hz)                      |           |            |            |            |            | 47-63 Hz   |
|                                  | Current (Full Load)                 |           |            |            |            |            | 3A Max. (115VAC) / 1.5A Max. (230VAC)                              |
|                                  | Inrush Current (<2ms)               |           |            |            |            |            | 30A Max. (115VAC) / 60A Max. (230VAC)                              |
|                                  | Leakage Current                     |           |            |            |            |            | 3.5mA max.   |
|                                  | Power Factor                        |           |            |            |            |            | PF>0.97 (115VAC) / PF>0.93 (230 VAC) at Full Load                  |
| Output                           | Voltage (VDC)                       |           |            |            |            |            | 3.3V    5V    12V    15V    24V    48V                             |
|                                  | Voltage Accuracy                    |           |            |            |            |            | ±2%  |
|                                  | Max. Current (Convection)           |           |            |            |            |            | 16A    16A    7.9A    6.33A    3.95A    1.98A                      |
|                                  | Max. Current (18CFM Fan)            |           |            |            |            |            | 25A    25A    10.4A    8.33A    5.2A    2.6A                       |
|                                  | Line Regulation (LL-HL) (typ.)      |           |            |            |            |            | ±1%  |
|                                  | Load Regulation (5-100%) (typ.)     |           |            |            |            |            | ±1%  |
|                                  | Minimum Load                        |           |            |            |            |            | 0%   |
|                                  | Maximum Capacitive Load             |           |            |            |            |            | 470-23,000µF Depending on model.                                   |
|                                  | Ripple & Noise                      |           |            |            |            |            | 100mV max.    1% max.  |
|                                  | Efficiency                          |           |            |            |            |            | 68%    70%    75%    75%    75%    75%                             |
|                                  | Hold-up Time                        |           |            |            |            |            | 18ms min.  |
| Protection                       | Switching Frequency                 |           |            |            |            |            | 67kHz  |
|                                  | Over Power Protection               |           |            |            |            |            | Auto Recovery  |
|                                  | Over Voltage Protection             |           |            |            |            |            | Auto Recovery  |
| Isolation                        | Short Circuit Protection            |           |            |            |            |            | Auto Recovery  |
|                                  | Input-Output (VAC)                  |           |            |            |            |            | 3000V  |
|                                  | Input-FG (VAC)                      |           |            |            |            |            | 1500V  |
| Environment                      | Output-FG (VAC)                     |           |            |            |            |            | 500V   |
|                                  | Operating Temperature (Conv)        |           |            |            |            |            | -25°C ... +40°C (without derating)                                 |
|                                  | Operating Temperature (Fan)         |           |            |            |            |            | -25°C ... +50°C (without derating)                                 |
| Physical                         | Storage Temperature                 |           |            |            |            |            | -40°C ... +85°C  |
|                                  | Temperature Coefficient             |           |            |            |            |            | 0.02% / °C (0...50°C)  |
|                                  | Humidity                            |           |            |            |            |            | 95% RH   |
| EMC                              | MTBF                                |           |            |            |            |            | > 100,000 hrs @ 25°C (MIL-HDBK-217F)                               |
|                                  | Dimensions (LxWxH)                  |           |            |            |            |            | 5.00 x 3.24 x 1.50 Inches (127.0 x 82.2 x 38.1mm) Tolerance ±0.5mm |
|                                  | Weight                              |           |            |            |            |            | 470g   |
| EMC                              | Cooling Method                      |           |            |            |            |            | Free Air Convection / 18CFM Forced Air                             |
|                                  | EMI (Conducted & Radiated Emission) |           |            |            |            |            | EN55022 Class B  |
|                                  | EMS (Noise Immunity)                |           |            |            |            |            | EN55024  |

Specifications are subject to change without notification.

Continued on next page

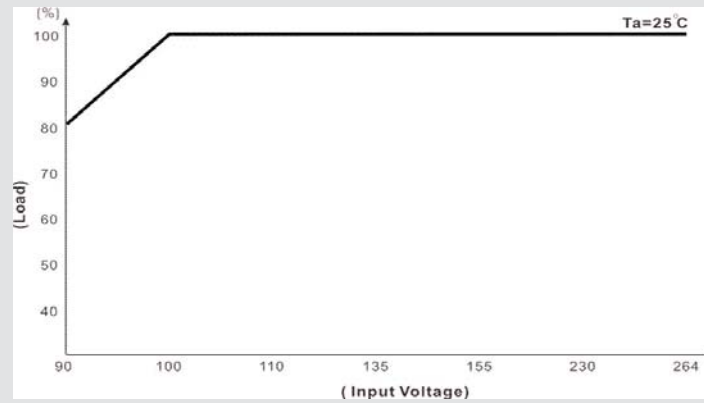
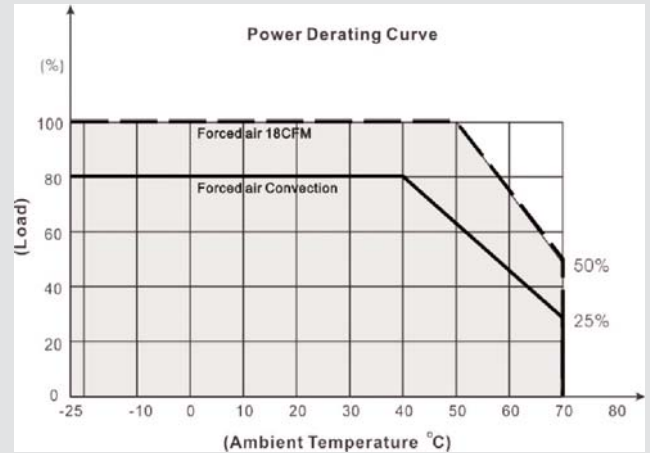
## OUTLINE DIMENSIONS & PIN CONNECTIONS

MECHANICAL DIMENSION (Top View)



| Pin  | Single       |
|------|--------------|
| 1    | FG           |
| 2    | AC Input (N) |
| 3    | AC Input (L) |
| 4, 5 | +DC Output   |
| 6, 7 | -DC Output   |

DERATING



BLOCK DIAGRAM

