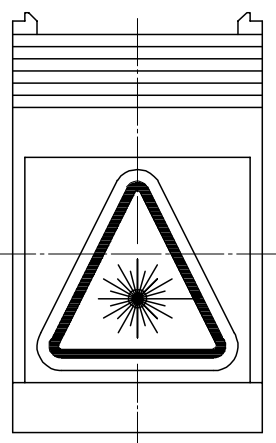
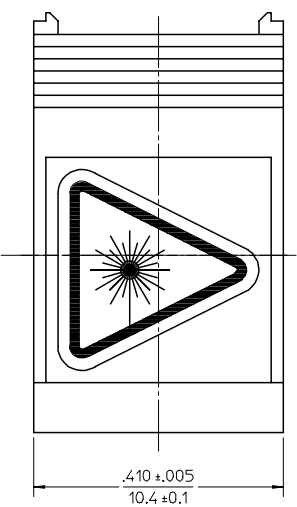


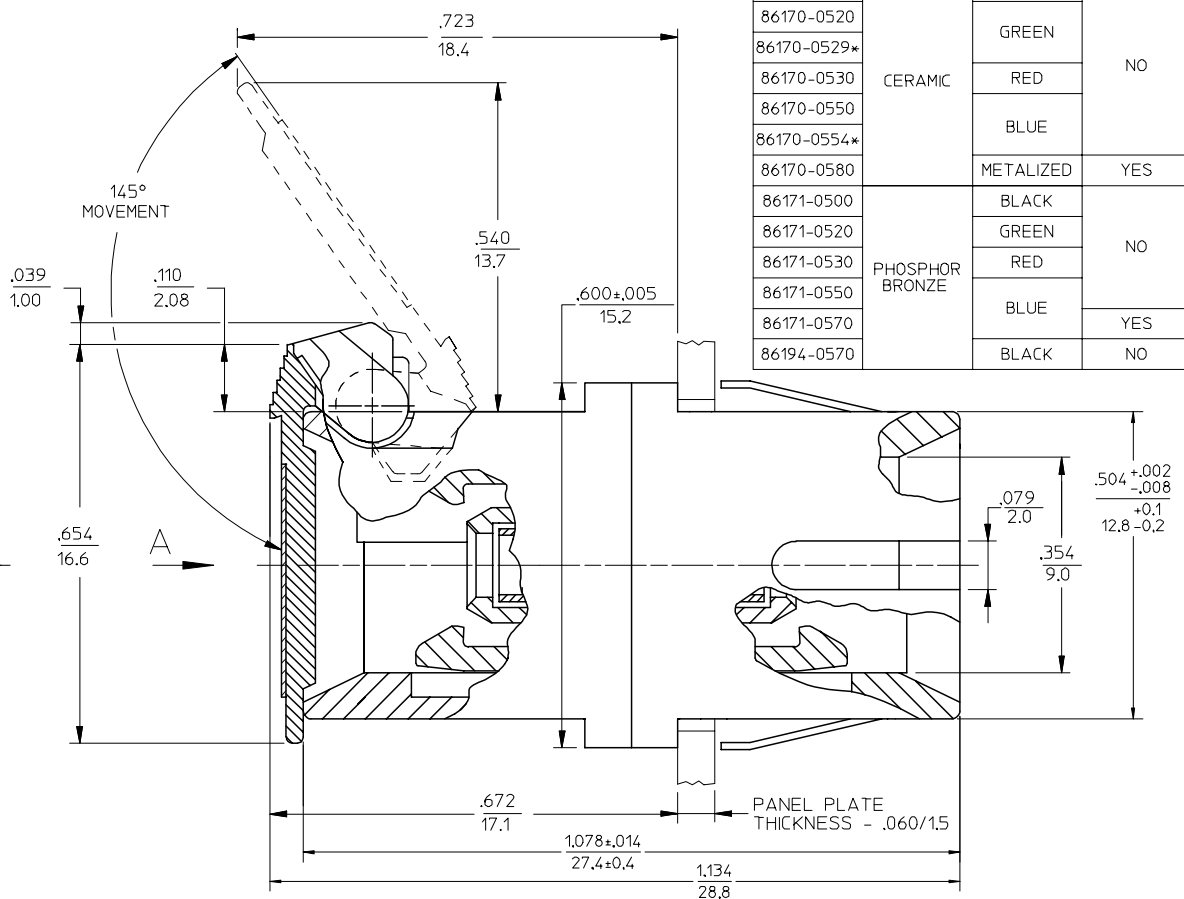
RECOMMENDED MOUNTING HOLE
(SCALE 1:4)



VIEW A
VERSION 2



VIEW A
VERSION 1

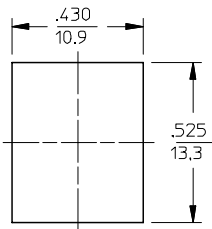


86170					
ADAPTER P/N	SPLIT SLEEVE MATERIAL	ADAPTER COLOR	METALIZED SHIELD	DUST CAP COLOR	
86170-0500	CERAMIC	BLACK	NO	GRAY	
86170-0520		GREEN			
86170-0529*		RED			
86170-0530		BLUE			
86170-0550		METALIZED			YES
86170-0554*	PHOSPHOR BRONZE	BLACK	NO	GRAY	
86171-0500		GREEN			
86171-0520		RED			
86171-0530		BLUE			YES
86171-0550		BLACK			NO
86194-0570					

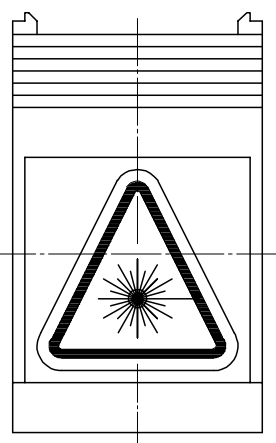
- NOTES:
- LABEL MUST BE INSTALLED AND ORIENTED BY CUSTOMER (SEE VIEW A).
 - DUST CAP IS NOT SHOWN.
 - *3. P/NS 86170-0529 AND 86170-0554 ARE BULK PACKED.

ENTER DESCRIPTION EC NO: MF2005-0575 DRWN: GJUMIN 2005/04/07 CHKD: 2005/04/07 APPR: GJUMIN 2005/04/08	QUALITY SYMBOLS	GENERAL TOLERANCES (UNLESS SPECIFIED)	SCALE 5:1	DESIGN UNITS INCH	THIRD ANGLE PROJECTION	REVISE ON CAD ONLY																						
	DESCRIPTION ▼ = 0 ◁ = 0	<table border="1"> <thead> <tr> <th></th> <th>mm</th> <th>INCH</th> </tr> </thead> <tbody> <tr> <td>4 PLACES</td> <td>± ---</td> <td>± ---</td> </tr> <tr> <td>3 PLACES</td> <td>± ---</td> <td>± ---</td> </tr> <tr> <td>2 PLACES</td> <td>± ---</td> <td>± ---</td> </tr> <tr> <td>1 PLACE</td> <td>± ---</td> <td>± ---</td> </tr> </tbody> </table>		mm	INCH	4 PLACES	± ---	± ---	3 PLACES	± ---	± ---	2 PLACES	± ---	± ---	1 PLACE	± ---	± ---	<table border="1"> <thead> <tr> <th colspan="2">DIMENSION STYLE</th> </tr> <tr> <th>IN/MM</th> <th>DATE</th> </tr> </thead> <tbody> <tr> <td>CHECKED BY</td> <td>DATE</td> </tr> <tr> <td>APPROVED BY</td> <td>DATE</td> </tr> </tbody> </table>	DIMENSION STYLE		IN/MM	DATE	CHECKED BY	DATE	APPROVED BY	DATE	TITLE SC SMALL FLANGE ADAPTER WITH SHUTTER SC ADAPTER	
			mm	INCH																								
		4 PLACES	± ---	± ---																								
3 PLACES	± ---	± ---																										
2 PLACES	± ---	± ---																										
1 PLACE	± ---	± ---																										
DIMENSION STYLE																												
IN/MM	DATE																											
CHECKED BY	DATE																											
APPROVED BY	DATE																											
	DRAFT WHERE APPLICABLE MUST REMAIN WITHIN DIMENSIONS	MATERIAL NO. SEE TABLE DOCUMENT NO. 8617X-05X0CD SHEET NO. 1 OF 1																										

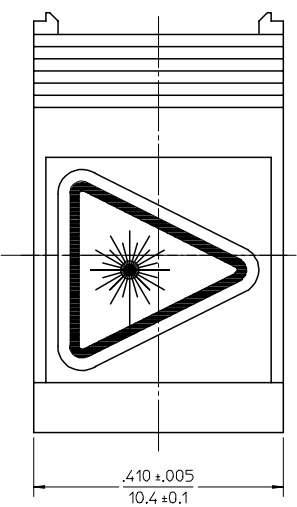
THIS DRAWING CONTAINS INFORMATION THAT IS PROPRIETARY TO MOLEX INCORPORATED AND SHOULD NOT BE USED WITHOUT WRITTEN PERMISSION



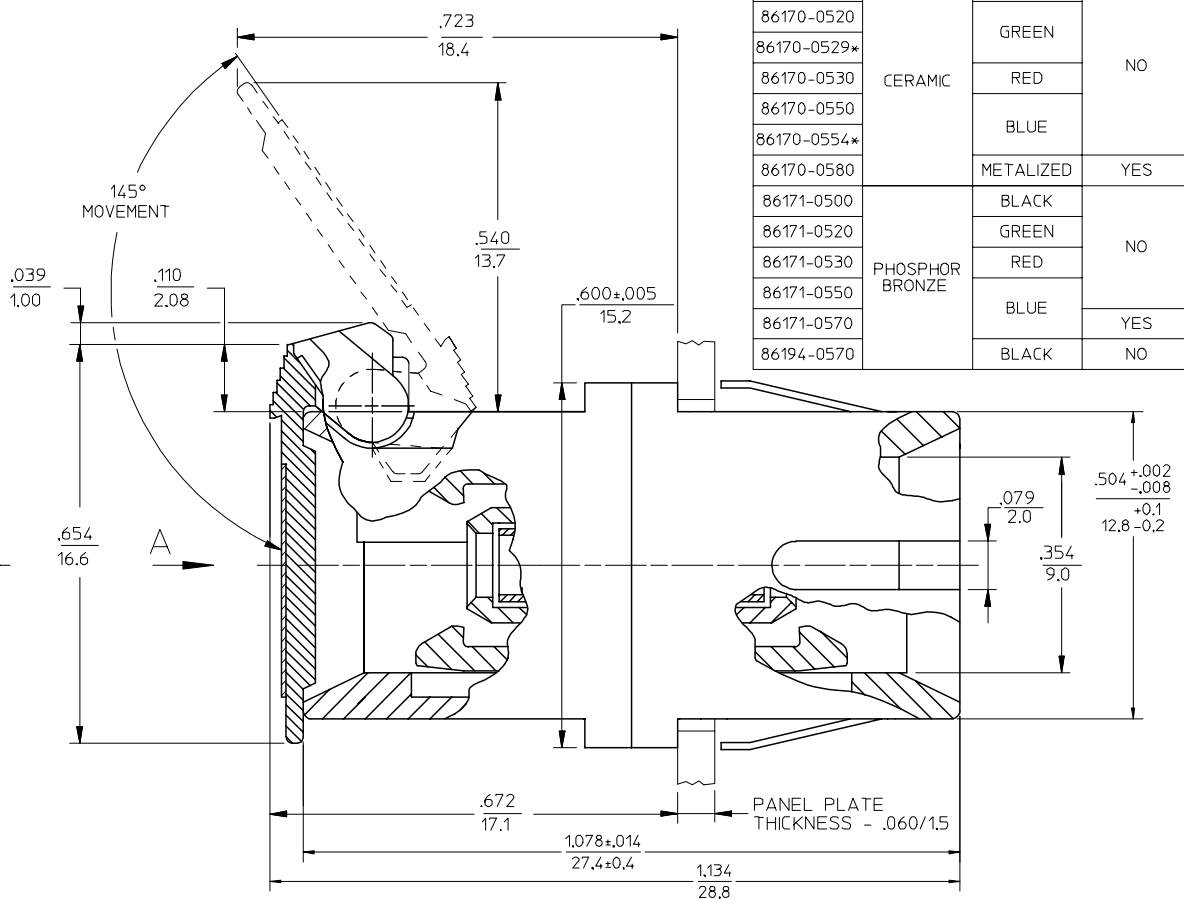
RECOMMENDED MOUNTING HOLE
(SCALE 1:4)



VIEW A
VERSION 2



VIEW A
VERSION 1



86170					
ADAPTER P/N	SPLIT SLEEVE MATERIAL	ADAPTER COLOR	METALIZED SHIELD	DUST CAP COLOR	
86170-0500	CERAMIC	BLACK	NO	GRAY	
86170-0520		GREEN			
86170-0529*		RED			
86170-0530		BLUE			
86170-0554*		METALIZED			YES
86170-0580	PHOSPHOR BRONZE	BLACK	NO	YELLOW	
86171-0500		GREEN			
86171-0520		RED			
86171-0530		BLUE			YES
86171-0550		BLACK			NO
86171-0570					
86194-0570		BLACK	NO	YELLOW	

- NOTES:
- LABEL MUST BE INSTALLED AND ORIENTED BY CUSTOMER (SEE VIEW A).
 - DUST CAP IS NOT SHOWN.
 - *3. P/NS 86170-0529 AND 86170-0554 ARE BULK PACKED.

ENTER DESCRIPTION EC NO: MF2005-0575 DRWN: GJUMIN 2005/04/07 CHKD: 2005/04/07 APPR: GJUMIN 2005/04/08	QUALITY SYMBOLS	GENERAL TOLERANCES (UNLESS SPECIFIED)	SCALE 5:1	DESIGN UNITS INCH	THIRD ANGLE PROJECTION	REVISE ON CAD ONLY																			
	DESCRIPTION ▼ = 0 ▽ = 0	<table border="1"> <tr> <th></th> <th>mm</th> <th>INCH</th> </tr> <tr> <td>4 PLACES</td> <td>± ---</td> <td>± ---</td> </tr> <tr> <td>3 PLACES</td> <td>± ---</td> <td>± ---</td> </tr> <tr> <td>2 PLACES</td> <td>± ---</td> <td>± ---</td> </tr> <tr> <td>1 PLACE</td> <td>± ---</td> <td>± ---</td> </tr> </table>		mm	INCH	4 PLACES	± ---	± ---	3 PLACES	± ---	± ---	2 PLACES	± ---	± ---	1 PLACE	± ---	± ---	<table border="1"> <tr> <th colspan="2">DIMENSION STYLE</th> </tr> <tr> <td>IN/MM</td> <td></td> </tr> </table>	DIMENSION STYLE		IN/MM		TITLE	SC SMALL FLANGE ADAPTER WITH SHUTTER SC ADAPTER	
			mm	INCH																					
		4 PLACES	± ---	± ---																					
3 PLACES	± ---	± ---																							
2 PLACES	± ---	± ---																							
1 PLACE	± ---	± ---																							
DIMENSION STYLE																									
IN/MM																									
DRAFT WHERE APPLICABLE MUST REMAIN WITHIN DIMENSIONS	APPROVED BY	DATE	MATERIAL NO.	DOCUMENT NO.	SHEET NO.																				
			SEE TABLE	8617X-05X0CD	1 OF 1																				