

NPN 2N2102

MEDIUM POWER AMPLIFIER & SWITCH

The 2N2102 is a silicon Planar Epitaxial NPN transistor in Jedec TO-39 metal case. They are intended for a wide variety of small-signal and medium power applications in military and industrial equipments. Compliance to RoHS.

ABSOLUTE MAXIMUM RATINGS

Symbol	Ratings	Value	Unit
V_{CEO}	Collector-Emitter Voltage ($I_B = 0$)	65	V
V_{CBO}	Collector-Base Voltage ($I_E = 0$)	120	V
V_{CER}	Collector-Emitter Voltage ($R_{BE} = 10 \Omega$)	80	V
V_{EBO}	Emitter-Base Voltage	7	V
I_C	Collector Current	1	A
P_D	Total Power Dissipation	$T_{amb} = 25^\circ\text{C}$	1
		$T_{case} = 25^\circ\text{C}$	5
T_J	Junction Temperature	-65 to 200	$^\circ\text{C}$
T_{Stg}	Storage Temperature range		

THERMAL CHARACTERISTICS

Symbol	Ratings	Value	Unit
R_{thJ-c}	Thermal Resistance, Junction-case	35	$^\circ\text{C}/\text{W}$
R_{thJ-a}	thermal resistance from junction to ambient in free air	175	

NPN 2N2102

ELECTRICAL CHARACTERISTICS

TC=25°C unless otherwise noted

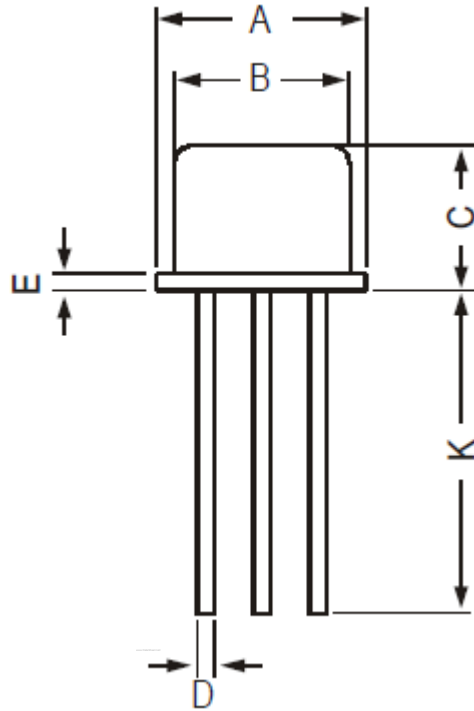
Symbol	Ratings	Test Condition(s)	Min	Typ	Max	Unit
I_{CBO}	Collector Cutoff Current	$V_{CB} = 60\text{ V}$	-	-	2	nA
		$I_E = 0$				
I_{EBO}	Emitter Cutoff Current	$V_{EB} = 5\text{ V}, I_C = 0$	-	-	5	nA
V_{CBO}	Collector Base Sustaining Voltage	$I_C = 100\text{ }\mu\text{A}, I_E = 0$	120	-	-	V
V_{CEO}	Collector Emitter Sustaining Voltage (*)	$I_C = 30\text{ mA}, I_B = 0$	65	-	-	V
h_{FE}	DC Current Gain (*)	$I_C = 10\text{ }\mu\text{A}, V_{CE} = 10\text{ V}$	10	-	-	-
		$I_C = 0.1\text{ mA}, V_{CE} = 10\text{ V}$	20	-	-	
		$I_C = 10\text{ mA}, V_{CE} = 10\text{ V}$	35	-	-	
		$I_C = 150\text{ mA}, V_{CE} = 10\text{ V}$	40	-	120	
		$I_C = 500\text{ mA}, V_{CE} = 10\text{ V}$	25	-	-	
		$I_C = 1\text{ A}, V_{CE} = 10\text{ V}$	10	-	-	
$V_{CE(SAT)}$	Collector-Emitter saturation Voltage (*)	$I_C = 150\text{ mA}, I_B = 15\text{ mA}$	-	-	0.5	V
$V_{BE(SAT)}$	Base-Emitter saturation Voltage (*)	$I_C = 150\text{ mA}, I_B = 15\text{ mA}$	-	-	1.1	V
C_C	Collector Capacitance	$I_E = 0, V_{CB} = 10\text{ V}$ $f = 1\text{ MHz}$	-	-	15	pF
C_e	emitter Capacitance	$I_C = 0, V_{EB} = 0.5\text{ V}$ $f = 1\text{ MHz}$	-	-	80	pF

(*) Pulse conditions : $t_p < 300\text{ }\mu\text{s}$, $\delta = 2\%$.

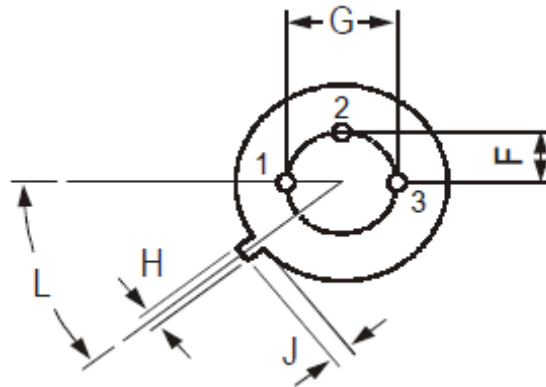
NPN 2N2102

MECHANICAL DATA CASE TO-39

DIMENSIONS (mm)		
	min	max
A	8.50	9.39
B	7.74	8.50
C	6.09	6.60
D	0.40	0.53
E	-	0.88
F	2.41	2.66
G	4.82	5.33
H	0.71	0.86
J	0.73	1.02
K	12.70	-
L	42°	48°



Pin 1 :	Emitter
Pin 2 :	Base
Pin 3 :	Collector
Case :	Collector



Revised August 2012

Information furnished is believed to be accurate and reliable. However, Comset Semiconductors assumes no responsibility for the consequences of use of such information nor for any infringement of patents or other rights of third parties which may result from its use. Data are subject to change without notice. Comset Semiconductors makes no warranty, representation or guarantee regarding the suitability of its products for any particular purpose, nor does Comset Semiconductors assume any liability arising out of the application or use of any product and specifically disclaims any and all liability, including without limitation consequential or incidental damages. Comset Semiconductors' products are not authorized for use as critical components in life support devices or systems.