

PARAMETER		UNITS
Turns Ratio	2 : 1 $\pm$ 1%	
Line Impedance	135	$\Omega$
Inductance (Line Side)	5.0 $\pm$ 6%	mH
Longitudinal Balance 40 kHz to 200 kHz	53 min.	dB
Primary DC Resistance	3.5 Max.	$\Omega$
Secondary DC Resistance	2.2 Max.	$\Omega$
Frequency Response 40kHz - 300kHz	$\pm$ 0.2	dB
Insertion Loss @ 200kHz	0.4	dB
Isolation (HI-POT)	1500	V <sub>RMS</sub>
Primary DC	100	mA
Return Loss @ 40kHz	17 min.	dB
THD (40 KHz, 14 dBm)	-70 Min.	dB

# T-940G

## HDSL

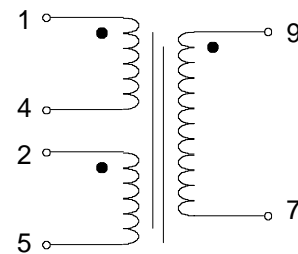
### TRANSFORMER

Designed for HDSL applications

Compatible with Brooktree BT8960 at 288 kbps

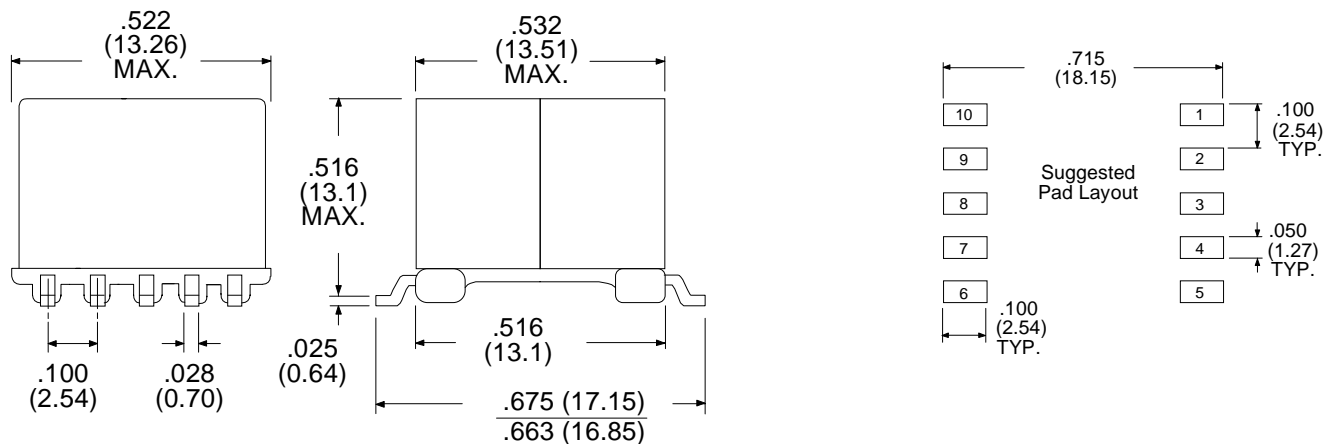
Custom versions of this transformer are available.

#### SCHEMATIC DIAGRAM:



Line Side Pins 1-4 + 2-5  
Device Side Pins 9-7

#### Physical Dimensions in inches (mm)



1/22/96