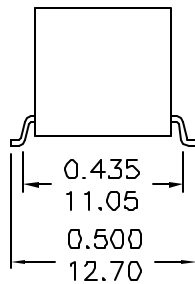
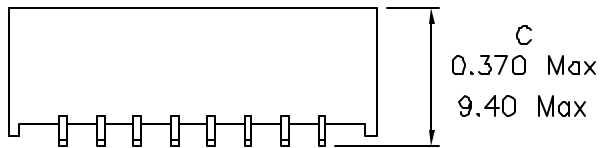
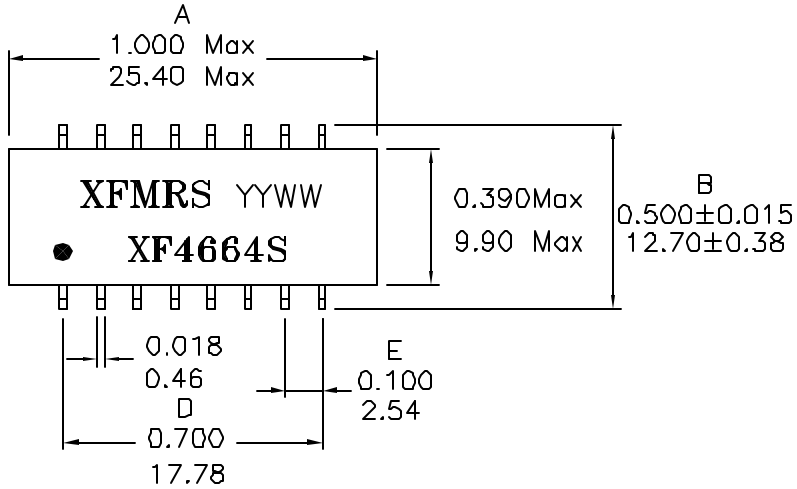
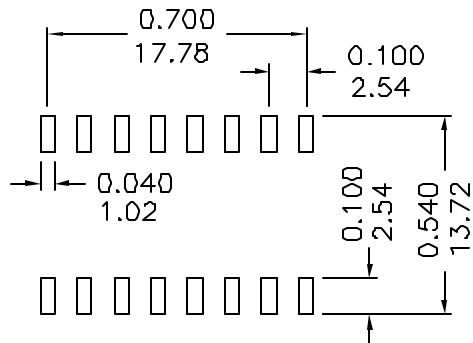


### 1. Dimensions:



CO-PLANARITY ± 0.004 Max  
0.10 Max



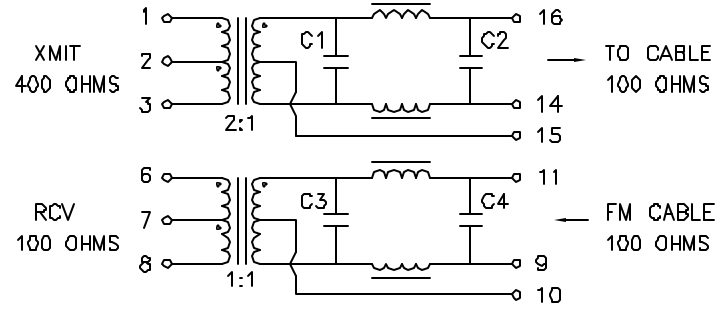
SUGGESTED FOOTPRINT

**Notes:**

1. Solderability: Leads shall meet MIL-STD-202, Method 208D for solderability.
2. Flammability: UL94V-0,
3. ASTM oxygen index: > 28% ,
4. Temperature rating: 155°C. UL file E151556,
5. Operating Temperature Range: -40°C to +85°C

DOC. REV: B/4

### 2. Schematic:



### 3. Electrical Specifications: @25°C

- CUT-OFF FREQ.: 17MHz ±1.5MHz
- Insertion Loss (1-10MHz): 1.0dB Maximum
- Return Loss (5-10MHz): 15dB Minimum
- ATTENUATION:
  - @25MHz: 5dB Minimum
  - @30MHz: 10dB Minimum
  - @40MHz: 16dB Minimum
- HYPOT: 1500 Vrms 1 Minute (Input to Output)
- Common Mode Rejection: 30dB Minimum @1-100MHz
- Cross Talk Attenuation: 30dB Minimum @1-10MHz
- DCR: 1-3 0.550 Ohms Max
- DCR: 16-14 0.950 Ohms Max
- DCR: 11-9 0.950 Ohms Max
- DCR: 6-8 0.30 Ohms Max
- HYPOT: 200 Vrms 1 Minute (XMIT to RCV)

<b>XFMRS INC.</b>	Title: 10 BASE-T FILTER	
	P/N: XF4664S	REV. B
UNLESS OTHERWISE SPECIFIED TOLERANCES: .xxx ±0.010 Inch Dimensions in Inch/mm	DWN.	廖玉坤 Apr-15-02
	CHK.	李清儿 Apr-15-02
SCALE 2:1 SHT 1 OF 1	APP.	Isaiah M Apr-15-02