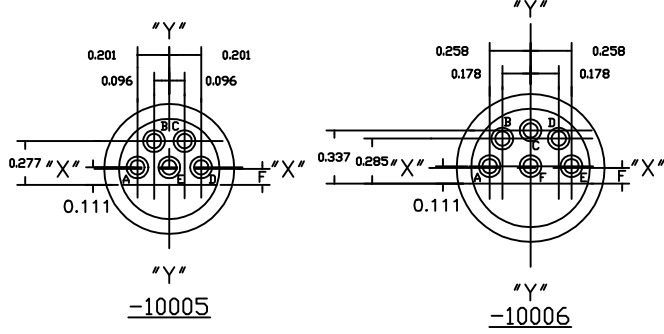


This document is the property of Amphenol Corporation and is delivered on the express condition that it is not to be disclosed, reproduced or used in whole or in part for manufacture or sale by anyone other than Amphenol Corporation without the prior consent - and that no right is granted to disclose or to use any information in this document.

REVISIONS				
SYM	ZONE	DESCRIPTION	DATE	APPROVED
A	ECN#HK643	DRAWING RELEASE	12/29/93	Y.M.LEE
B		CHANGE PER ECN#HK650	1/06/94	Y.M.LEE



**MATERIALS**  
 Insulator Body : Thermal Plastic Rubber Santoprene 101-73  
 Plug Contact : Brass Olin Alloy  
 Contact Plating : 0.0001 to 0.0003 inches Tin Plating

**SPECIFICATIONS**  
 Voltage Rating : Limiting Operating Voltage At Sea Level, 250 Vots AC RMS  
 Current Rating : 8 AMPS Continuous  
 Temperature Range : Continuous Operation From -40°C To +125°C  
 Wire Size : 14 , 16 & 18 AWG  
 Overall Wire Insulation Diameter : 0.080 To 0.130 inches. (2.03 To 3.30 mm)  
 Insulation Resistance : 5,000 Megaohms Min.  
 Dielectric Withstanding Voltage : 1000 VRMS

## CUSTOMER INFORMATION DRAWING

PART NUMBER	NUMBER OF POCKETS (REF)	A DIA.	B DIA.	C DIA.	D DIA.	E DIA.	F DIA.	G DIA.	DASH NO.	G DIA.	FOR MOUNTING PANEL THICKNESS (REF)
44-104-10001-XX	1	.443/.437	.428/.422	.348/.342	.395/.389	.500/.494	-	-			
44-104-10002-XX	2	.473/.467	.438/.432	.394/.388	.446/.440	.610/.604	.067/.061	.530/.524	-02	.197/.193	3/16
44-104-10003-XX	3	.574/.568	.539/.533	.486/.480	.538/.532	.711/.705	.084/.078	.631/.625			
44-104-10004-XX	4	.685/.679	.650/.644	.584/.578	.636/.630	.822/.816	.103/.097	.742/.736			
44-104-10005-XX	5	.685/.679	.650/.644	.584/.578	.636/.630	.822/.816	.103/.097	.742/.736			
44-104-10006-XX	6	.799/.793	.764/.758	.688/.682	.750/.744	.936/.930	.101/.098	.856/.850			

ITEM NO	PART OR IDENTIFICATION NO	NOMENCLATURE OR DESCRIPTION	QTY REQ'D
<b>PARTS LIST</b>			
UNLESS OTHERWISE SPECIFIED TOLERANCES U.S. METRIC		APPROVAL DATE	<b>Amphenol</b> <small>Amphenol East Asia Limited Manufacturing Operation</small>
X +/- XX +/- XXX +/- FRACTIONS +/- ANGLES +/-		DRAWN MAN WONG 11/28/93 CHECKED Y. M. LEE 1/06/94	
FOR MATERIALS AND FINISHES SEE NOTES		APPR.	<b>TITLE</b> <b>RECEPTACLE CONNECTOR MINIATURE, 1 THRU 6 CONTACT</b>
REMOVE SHARP EDGES		APPR.	
DIMENSIONS		ANGLE OF PROJECTION	SIZE DRAWING NO.
U.S. INCHES -(METRIC)- -(MM)-			<b>B C44-104-100XX-XX B</b>
			SCALE NONE SHEET 1 OF 1