

Spread Spectrum Clock Generator

Features

- Supports clock requirements for printers
- 48-MHz spread spectrum clock output
- 48-MHz reference clock output
- Two selectable spread percentages: -1% and -3%
- Integrated loop filter
- 48-MHz crystal or external clock input
- 3.3-V supply operation (2.5-V functional)
- 8-pin small outline integrated circuit (SOIC) package

Functional Description

The CY27020 clock generator provides a low EMI clock output for printers. It features spread spectrum technology, a modulation technique designed specifically for reducing EMI at the fundamental frequency and its harmonics.

Logic Block Diagram

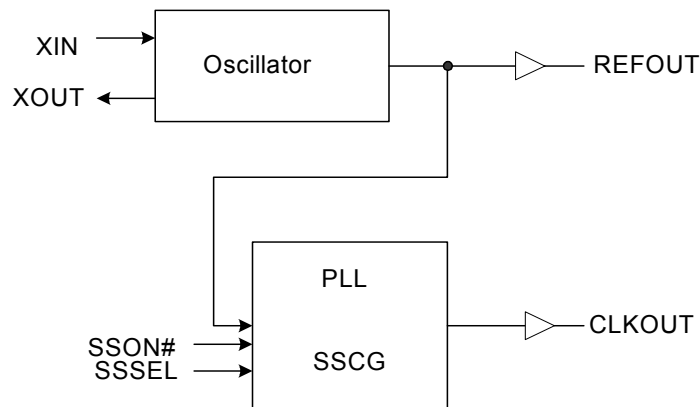
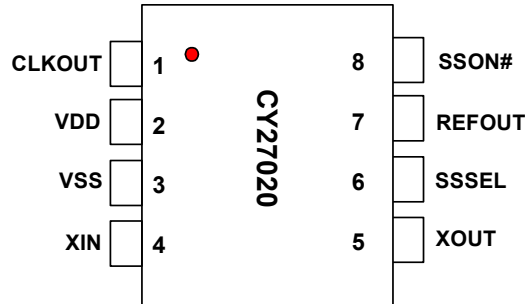


Table 1. Frequency Table

XIN	SSON#	SSSEL	REFOUT	CLKOUT
48.00 MHz	0	0	48.00 MHz	48.00 MHz at -1%
48.00 MHz	0	1	48.00 MHz	48.00 MHz at -3%
48.00 MHz	1	0	48.00 MHz	48.00 MHz (No Spread)
48.00 MHz	1	1	48.00 MHz	48.00 MHz (No Spread)

Pin Configuration

Figure 1. Pin Diagram – CY27020 8-Pin SOIC Package



Pin Description

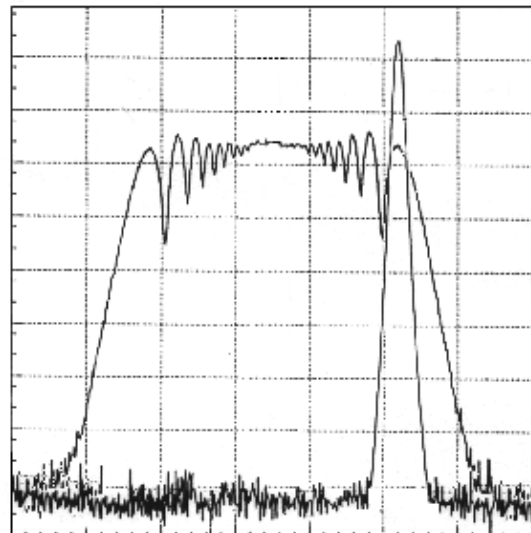
Pin	Name	I/o	Type ^[1]	Description
1	CLKOUT	O		Fixed frequency 48.00 MHz spread spectrum clock output. See Table 1 on page 1 for frequency selections
2	VDD	PWR		3.3-V power supply
3	VSS	PWR		Ground
4	XIN	I		Oscillator buffer input. Connect to an external parallel resonant crystal (nominally 48.00 MHz) or externally generated 48 MHz reference clock.
5	XOUT	O		Oscillator buffer output. Connect to an external parallel resonant crystal. Do not connect when an externally generated reference clock is applied at XIN.
6	SSSEL	I	PU	Spread spectrum percentage select input. See Table 1 on page 1 for details.
7	REFOUT	O	–	Buffered output of XIN.
8	SSON#	I	PD	Spread spectrum enable input. When asserted LOW, spread spectrum is enabled.

Spread Spectrum Clock Generation (SSCG)

Spread spectrum clock generation (SSCG) is a frequency modulation technique used to reduce electromagnetic interference radiation generated by repetitive digital signals, mainly clocks. A clock accumulates electromagnetic energy at its center frequency and its harmonics. Spread spectrum distributes this energy over a small frequency band and decreases the peak value of radiated energy over the spectrum. This technique is achieved by modulating the clock around or below the center of its nominal frequency by a certain percentage (which also determines the energy distribution band).

The SSCG function is enabled when SSON# pin is asserted low, resulting in a spread bandwidth that is down spread by either –1% or –3%, selected by SSSEL (see Table 1 on page 1).

Figure 2. No Spread vs Down Spread Example



Note

1. PU = Internal pull-up resistor, PD = Internal pull-down resistor.

Absolute Maximum Conditions

Exceeding maximum ratings may shorten the useful life of the device. User guidelines are not tested.^[2]

Minimum input voltage relative to V_{SS} : $V_{SS} - 0.3$ V
 Maximum input voltage relative to V_{DD} : $V_{DD} + 0.3$ V
 Storage temperature: -65 °C to 150 °C
 Operating temperature: 0 °C to 70 °C
 Maximum electrostatic discharge (ESD) protection: 2 kV
 Maximum power supply: 5.5 V
 Operating voltage: 2.5 V–3.6 V

This device contains circuitry to protect the inputs against damage due to high static voltages or electric field; however, care should be taken to avoid application of any voltage higher than the maximum rated voltages to this circuit. For proper operation, the I/O pins should be constrained to the range:

$$V_{SS} < I/O < V_{DD}$$

Unused inputs must always be tied to an appropriate logic voltage level (either V_{SS} or V_{DD}).

DC Electrical Specifications ($V_{DD} = 3.3V \pm 10\%$, $T_A = 0^\circ\text{C}$ to 70°C)^[3]

Parameter	Description	Conditions	Min	Typ	Max	Unit
V_{IL}	Input low voltage	SSON#, SSSEL	–	–	0.8	V
V_{IH}	Input high voltage		2.2	–	–	V
V_{thXIN}	XIN threshold voltage		$0.3 \times V_{DD}$	$0.5 \times V_{DD}$	$0.7 \times V_{DD}$	V
I_{IL1}	Input low current	SSON# = V_{SS}	–5	0	5	μA
I_{IH1}	Input high current	SSON# = V_{DD}	3	8	20	μA
I_{IL2}	Input low current	SSEL = V_{SS}	–36	–16.5	–7.4	μA
I_{IH2}	Input high current	SSEL = V_{DD}	–5	0	5	μA
$I_{DD3.3V}$	Dynamic supply current	No output load	–	20	25	mA
V_{OL}	Output low voltage	$I_{OL} = 4.0$ mA	–	–	0.4	V
V_{OH}	Output high voltage	$I_{OH} = -4.0$ mA	2.4	–	–	V
C_{in}	Input capacitance	Pins 6 and 8	–	3	5	pF
C_x	XIN, XOUT capacitance	Pins 4 and 5	–	3	5	pF
PU/PD	Pull-up/pull-down resistance	SSON#, SSSEL	100	200	400	$k\Omega$

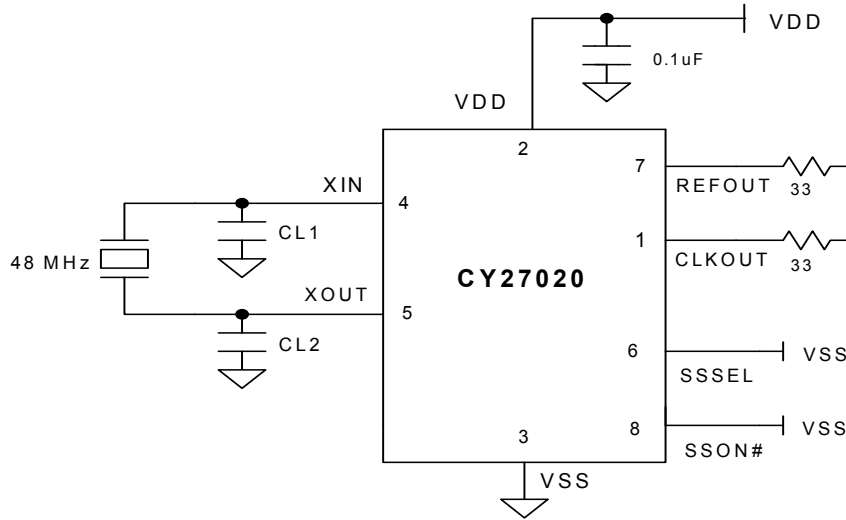
AC Electrical Specifications ($V_{DD} = 3.3V \pm 10\%$, $T_A = 0^\circ\text{C}$ to 70°C)

Parameter	Description	Conditions	Min	Typ	Max	Unit
IFR	Input frequency range		44	48	52	MHz
t_r	Rise time ^[4,5]		–	1	2	ns
t_f	Fall time ^[4,5]		–	1	2	ns
SS%	Spread spectrum percentage	SSON# = 0, SSSEL = 0	–	–1	–	%
		SSON# = 0, SSSEL = 1	–	–3	–	%
t_{PU}	Power-up to stable output ^[6]	All output clocks	–	–	3	ms
t_{DC}	Clock duty cycle ^[4,6]	CL = 15 pF	45	50	55	%
t_{CCJ}	REFOUT cycle-to-cycle jitter ^[4,6]	CL = 15 pF	–	–	350	ps
	CLKOUT cycle-to-cycle jitter ^[4,6]		–	100	250	ps

Notes

- Multiple Supplies: The Voltage on any input or I/O pin cannot exceed the power pin during power-up. Power supply sequencing is NOT required.
- In applications where a crystal is used for the input reference clock, refer to the crystal manufacturer's specifications for the required crystal load capacitor value.
- Parameters are guaranteed by design and characterization. Not 100% tested in production. All parameters specified with fully loaded outputs. All outputs loaded with 15 pF.
- Measured between $0.1 \times V_{DD}$ and $0.9 \times V_{DD}$ volts.
- Triggering is done at 1.5 V.

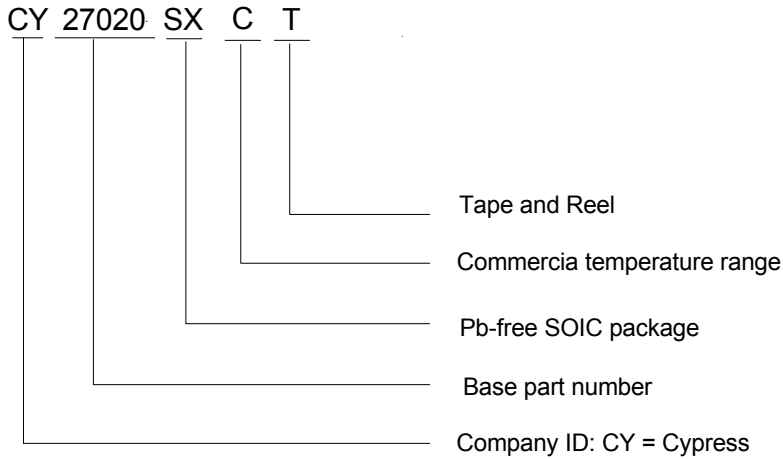
Figure 2. Application Schematic Example^[7,8]



Ordering Information

Part Number	Package Type	Production Flow
Pb-free		
CY27020SXC	8-pin SOIC	Commercial, 0 °C to 70 °C
CY27020SXCT	8-pin SOIC - Tape and Reel	Commercial, 0 °C to 70 °C

Ordering Code Definitions

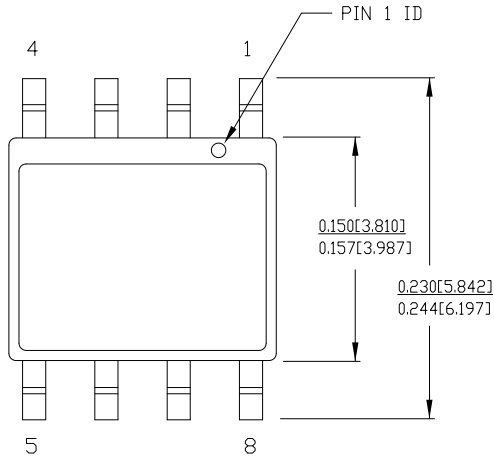


Notes

- 7. The circuit shows -1.0% spread. Refer to Table 1 on page 1 for details.
- 8. Use the crystal manufacturer's recommended values for CL1 and CL2 load capacitors.

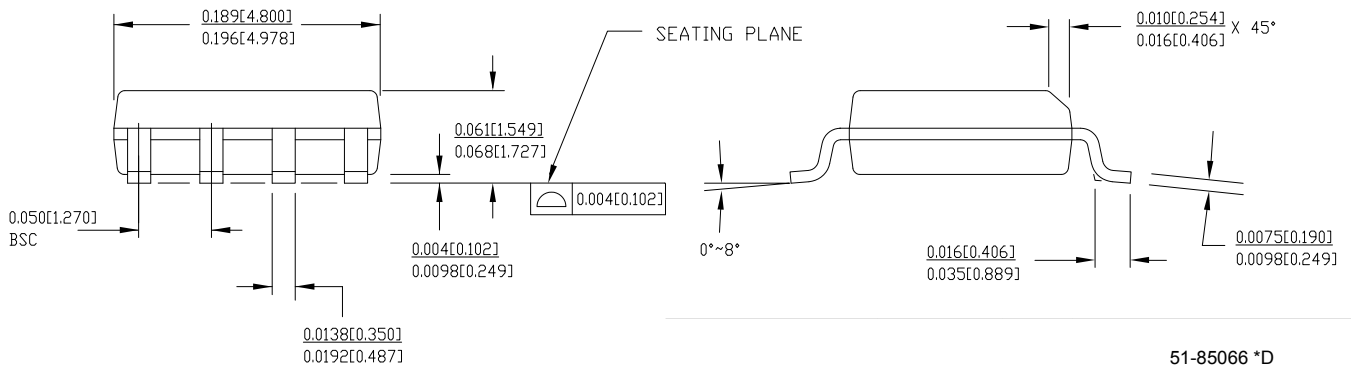
Package Drawing and Dimension

Figure 3. 8-Pin (150-Mil) SOIC



1. DIMENSIONS IN INCHES[MM] MIN. MAX.
2. PIN 1 ID IS OPTIONAL, ROUND ON SINGLE LEADFRAME RECTANGULAR ON MATRIX LEADFRAME
3. REFERENCE JEDEC MS-012
4. PACKAGE WEIGHT 0.07gms

PART #	
S08.15	STANDARD PKG.
SZ08.15	LEAD FREE PKG.



Acronyms

Table 2. Acronyms Used in this Document

Acronym	Description
CLKOUT	Reference clock out
EMI	Electromagnetic interference
ESD	Electrostatic discharge
OE	Output enable
PD	Power down
PLL	Phase locked loop
PPM	Parts per million
SS	Spread spectrum
SSC	spread spectrum clock
SSCG	spread spectrum clock generation
SSON	spread spectrum ON

Document Conventions

Table 3. Units of Measure

Symbol	Unit of Measure
°C	degree Celsius
kΩ	kilo ohm
μA	microamperes
μs	microsecond
mA	milliamperes
ms	millisecond
mW	milliwatt
MHz	megahertz
ns	nanosecond
Ω	ohm
pF	pico Farad
ps	pico second
V	volts
W	watts

Document History Page

Document Title: CY27020 Spread Spectrum Clock Generator Document Number: 38-07273				
REV.	ECN NO.	Submission Date	Orig. of Change	Description of Change
**	110661	02/19/02	XHT	New data sheet
*A	122868	12/21/02	RBI	Add power up requirements to maximum rating information
*B	279429	See ECN	RGL	Added Lead-free Devices
*C	2759365	09/02/2009	TSAI	Updated template. Post to external web.
*D	2899304	03/25/2010	CXQ	Removed inactive parts from Ordering Information Updated Package Drawing and Dimension .
*E	3041840	09/29/2010	CXQ	Removed "IC" from end of document title. Fixed various formatting and typographical errors. Change all SSON pin references to SSON#. Added row to Table 1 for explicit select pin functional explanation. Removed references to Cera-lock input. Removed redundant Note 3.

Sales, Solutions, and Legal Information

Worldwide Sales and Design Support

Cypress maintains a worldwide network of offices, solution centers, manufacturer's representatives, and distributors. To find the office closest to you, visit us at cypress.com/sales.

Products

Automotive	cypress.com/go/automotive
Clocks & Buffers	cypress.com/go/clocks
Interface	cypress.com/go/interface
Lighting & Power Control	cypress.com/go/powerpsoc cypress.com/go/plc
Memory	cypress.com/go/memory
Optical & Image Sensing	cypress.com/go/image
PSoC	cypress.com/go/psoc
Touch Sensing	cypress.com/go/touch
USB Controllers	cypress.com/go/USB
Wireless/RF	cypress.com/go/wireless

PSoC Solutions

psoc.cypress.com/solutions
PSoC 1 | PSoC 3 | PSoC 5

© Cypress Semiconductor Corporation, 2002-2010. The information contained herein is subject to change without notice. Cypress Semiconductor Corporation assumes no responsibility for the use of any circuitry other than circuitry embodied in a Cypress product. Nor does it convey or imply any license under patent or other rights. Cypress products are not warranted nor intended to be used for medical, life support, life saving, critical control or safety applications, unless pursuant to an express written agreement with Cypress. Furthermore, Cypress does not authorize its products for use as critical components in life-support systems where a malfunction or failure may reasonably be expected to result in significant injury to the user. The inclusion of Cypress products in life-support systems application implies that the manufacturer assumes all risk of such use and in doing so indemnifies Cypress against all charges.

Any Source Code (software and/or firmware) is owned by Cypress Semiconductor Corporation (Cypress) and is protected by and subject to worldwide patent protection (United States and foreign), United States copyright laws and international treaty provisions. Cypress hereby grants to licensee a personal, non-exclusive, non-transferable license to copy, use, modify, create derivative works of, and compile the Cypress Source Code and derivative works for the sole purpose of creating custom software and/or firmware in support of licensee product to be used only in conjunction with a Cypress integrated circuit as specified in the applicable agreement. Any reproduction, modification, translation, compilation, or representation of this Source Code except as specified above is prohibited without the express written permission of Cypress.

Disclaimer: CYPRESS MAKES NO WARRANTY OF ANY KIND, EXPRESS OR IMPLIED, WITH REGARD TO THIS MATERIAL, INCLUDING, BUT NOT LIMITED TO, THE IMPLIED WARRANTIES OF MERCHANTABILITY AND FITNESS FOR A PARTICULAR PURPOSE. Cypress reserves the right to make changes without further notice to the materials described herein. Cypress does not assume any liability arising out of the application or use of any product or circuit described herein. Cypress does not authorize its products for use as critical components in life-support systems where a malfunction or failure may reasonably be expected to result in significant injury to the user. The inclusion of Cypress' product in a life-support systems application implies that the manufacturer assumes all risk of such use and in doing so indemnifies Cypress against all charges.

Use may be limited by and subject to the applicable Cypress software license agreement.