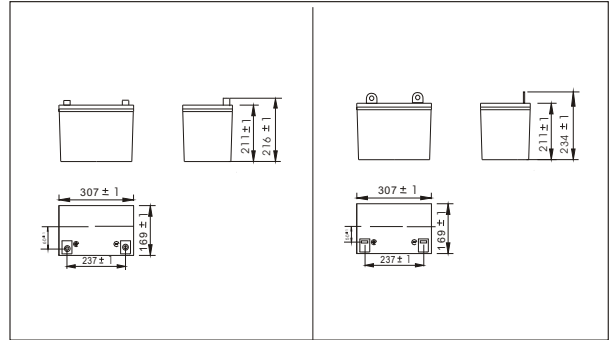




SW12900II(12V90AH)



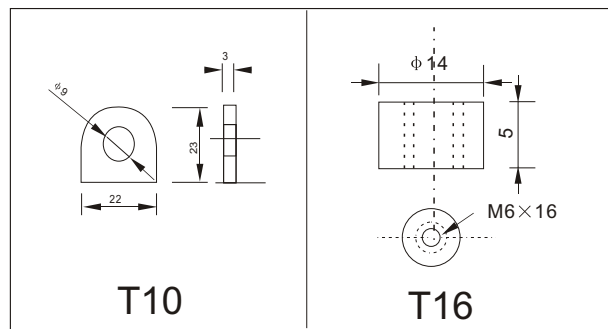
Outer dimensions (mm)



Specifications

Nominal Voltage		12V
Rated capacity (10 hour rate)		90 Ah
Dimensions	Total Height	T10 234 mm (9.21 inches)
		T16 216 mm (8.50 inches)
	Height	211 mm (8.30 inches)
	Length	307 mm (12.08 inches)
Width		169mm (6.65inches)
Weight Approx		27.5Kg (60.77lbs)

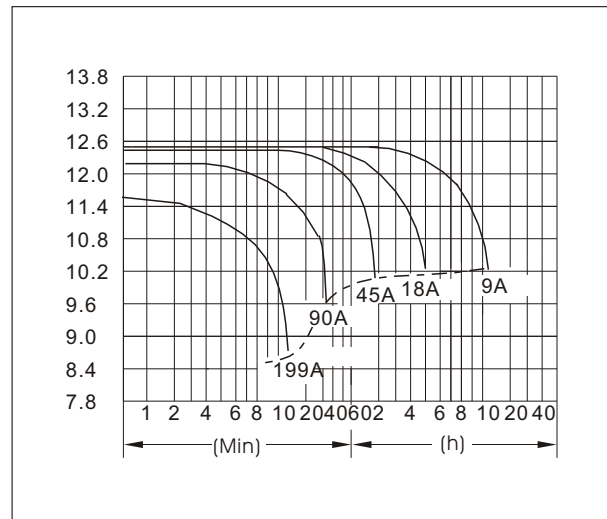
Terminal Type (mm)



Characteristics

Capacity 25°C(77°F)	10 hour rate(9.0A)	90 AH
	5 hour rate(14.4A)	72 AH
	1 hour rate(54.0A)	54 AH
Internal Resistance	Full charged Battery at 25°C(77°F)	approx 4.5 mΩ
Capacity affected by Temperature (10hour rate)	40°C(104°F)	102%
	25°C(77°F)	100%
	0°C(32°F)	85%
	-15°C(5°F)	65%
Self-Discharge at 25°C(77°F)	Capacity after 3 month storage	91%
	Capacity after 6 month storage	82%
	Capacity after 12 month storage	64%
Terminal		T10 T16
Charge (constant Voltage)	Cycle	Initial Charging Current less than 36 A Voltage 14.10-14.40V
	Float	Voltage 13.50-13.80V

Discharge Curves 25°C(77°F)



Constant Current(Amp) and Constant Power(Watt) Discharge Table at 25°C(77°F)

Time		5min	10min	15min	30min	1h	2h	3h	4h	5h	8h	10h	20h
9.60V	A	288	190	153	103	54	32	23.1	18.0	14.9	10.5	9.5	5.1
	W	2975	2028	1641	1103	583	346	257.4	202.5	168.8	120.7	109.1	59.3
10.20V	A	279	171	144	98	51	30	22.5	17.6	14.6	10.3	9.3	5.0
	W	2982	1913	1613	1101	574	346	260.6	204.1	170.0	120.0	108.9	58.1
10.50V	A	270	153	126	92	49	29	22.0	17.3	14.4	10.2	9.1	5.0
	W	2949	1744	1439	1056	569	340	255.9	202.2	168.8	119.6	107.6	58.5
10.80V	A	260	144	117	85	48	29	21.4	17.0	14.0	9.9	9.0	4.9
	W	2920	1666	1350	980	553	335	252.5	200.9	166.0	117.3	107.0	57.9
11.10V	A	252	135	108	76	46	28	20.7	16.6	13.7	9.6	8.6	4.6
	W	2853	1567	1259	885	540	330	245.9	197.2	163.3	115.3	103.2	55.6