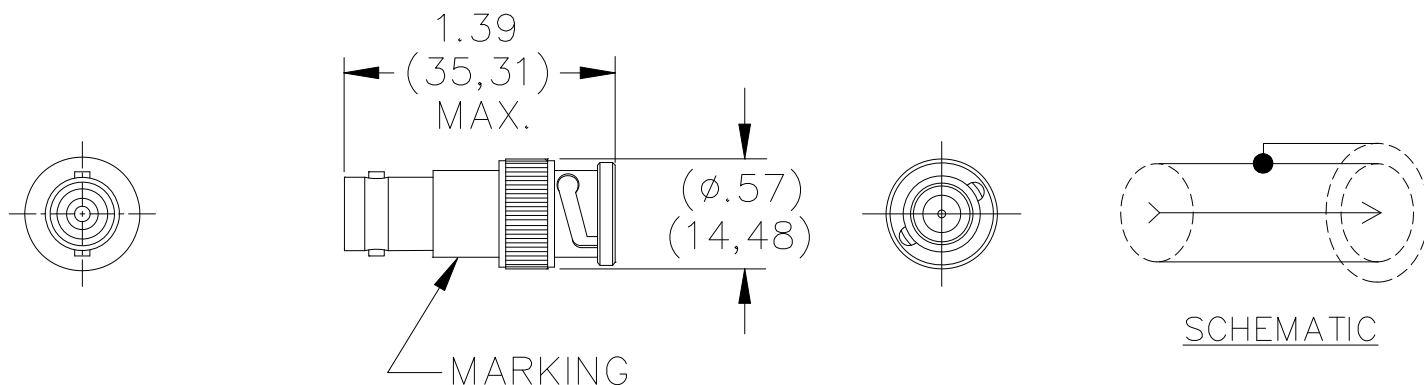


**Model 5090**  
**BNC (F) to 2 Lug Triaxial (M) Adapter**

## Features

- Provides an easy interface between a BNC (F) and a 2 Lug Triax (M).

## Materials

**Body:** Brass, Tarnish Resistant Nickel Plated  
**Dielectric:** PTFE per L-P-403  
**Center Contact:** Male – Brass, Gold Plated  
Female – Beryllium Copper, Gold Plated  
**Outer Contact:** Beryllium Copper, Tarnish Resistant  
**Marking:** "POMONA 5090" (optional)



## Specifications

**Operating Voltage:** For CE compliance: not intended for hand-held use at voltages above 33 Vrms/70 Vdc.  
**Frequency Range:** DC to 500 MHz

## Ordering Information

Model: 5090

**USA:** Sales: 800-490-2361  
Technical Support: [technicalsupport@pomonatest.com](mailto:technicalsupport@pomonatest.com)  
Fax: 425-446-5844  
**Europe:** 31-(0) 40 2675 150 **International:** 425-446-5500  
**Where to Buy:** [www.pomonaelectronics.com](http://www.pomonaelectronics.com)

All dimensions are in inches. Tolerances (except noted): .xx =  $\pm$ .02" (.51 mm),  
.xxx =  $\pm$ .005" (.127 mm). All specifications are to the latest revisions.  
Specifications are subject to change without notice. Registered trademarks are  
the property of their respective companies.