

Picture coming soon

**FEATURES:**

- Wide Input 2:1 Range
- 1500 & 3000 VDC Isolation
- Efficiency up to 87%
- Regulated Output
- Soft Start
- Adjustable Output Voltage
- Remote ON/OFF Function
- Over Load, Voltage & Short Circuit Protection
- Operating temperature -40°C to + 75°C

**Models**  
**Single output**



Model	Input Voltage (V)	Output Voltage (V)	Output Current max (A)	Isolation (VDC)	Efficiency (%)
AM40U-1203SIZ	9-18	3.3	7	1500	85
AM40U-1205SIZ	9-18	5	7	1500	85
AM40U-1212SIZ	9-18	12	3	1500	85
AM40U-1215SIZ	9-18	15	2.3	1500	85
AM40U-1224SIZ	9-18	24	1.5	1500	85
AM40U-2403SIZ	18-36	3.3	7	1500	82
AM40U-2405SIZ	18-36	5	7	1500	82
AM40U-2412SIZ	18-36	12	3	1500	82
AM40U-2415SIZ	18-36	15	2.3	1500	82
AM40U-2424SIZ	18-36	24	1.5	1500	82
AM40U-4803SIZ	36-75	3.3	7	1500	83
AM40U-4805SIZ	36-75	5	7	1500	83
AM40U-4812SIZ	36-75	12	3	1500	83
AM40U-4815SIZ	36-75	15	2.3	1500	83
AM40U-4824SIZ	36-75	24	1.5	1500	83
AM40U-1203SH30IZ	9-18	3.3	7	3000	85
AM40U-1205SH30IZ	9-18	5	7	3000	85
AM40U-1212SH30IZ	9-18	12	3	3000	85
AM40U-1215SH30IZ	9-18	15	2.3	3000	85
AM40U-1224SH30IZ	9-18	24	1.5	3000	85
AM40U-2403SH30IZ	18-36	3.3	7	3000	82
AM40U-2405SH30IZ	18-36	5	7	3000	82
AM40U-2412SH30IZ	18-36	12	3	3000	82
AM40U-2415SH30IZ	18-36	15	2.3	3000	82
AM40U-2424SH30IZ	18-36	24	1.5	3000	82
AM40U-4803SH30IZ	36-75	3.3	7	3000	83
AM40U-4805SH30IZ	36-75	5	7	3000	83
AM40U-4812SH30IZ	36-75	12	3	3000	83
AM40U-4815SH30IZ	36-75	15	2.3	3000	83
AM40U-4824SH30IZ	36-75	24	1.5	3000	83

**Models**  
**Dual output**

Model	Input Voltage (V)	Output Voltage (V)	Output Current max (A)	Isolation (VDC)	Efficiency (%)
AM40U-1205DIZ	9-18	±5	±3.5	1500	83
AM40U-1212DIZ	9-18	±12	±1.5	1500	83
AM40U-1215DIZ	9-18	±15	±1.15	1500	83
AM40U-2405DIZ	18-36	±5	±3.5	1500	80
AM40U-2412DIZ	18-36	±12	±1.5	1500	80
AM40U-2415DIZ	18-36	±15	±1.15	1500	80
AM40U-4805DIZ	36-75	±5	±3.5	1500	81
AM40U-4812DIZ	36-75	±12	±1.5	1500	81
AM40U-4815DIZ	36-75	±15	±1.15	1500	81

## Models

### Dual output (continued)

Model	Input Voltage (V)	Output Voltage (V)	Output Current max (A)	Isolation (VDC)	Efficiency (%)
AM40U-1205DH30IZ	9-18	±5	±3.5	3000	83
AM40U-1212DH30IZ	9-18	±12	±1.5	3000	83
AM40U-1215DH30IZ	9-18	±15	±1.15	3000	83
AM40U-2405DH30IZ	18-36	±5	±3.5	3000	80
AM40U-2412DH30IZ	18-36	±12	±1.5	3000	80
AM40U-2415DH30IZ	18-36	±15	±1.15	3000	80
AM40U-4805DH30IZ	36-75	±5	±3.5	3000	81
AM40U-4812DH30IZ	36-75	±12	±1.5	3000	81
AM40U-4815DH30IZ	36-75	±15	±1.15	3000	81

NOTE: All specifications in this datasheet are measured at an ambient temperature of 25°C, humidity<75%, nominal input voltage and at rated output load unless otherwise specified.

## Input Specifications

Parameters	Nominal	Typical	Maximum	Units
Voltage range	12	9-18		VDC
	24	18-36		
	48	36-75		
Filter	π(Pi) Network			
Absolute Maximum Rating	12		25	VDC
	24		50	
	48		100	
On/Off control	ON – TTL High or Open ; OFF – TTL Low or short			

## Isolation Specifications

Parameters	Conditions	Typical	Maximum	Units
Tested I/O voltage	3 sec	1500 or 3000		VDC
Resistance	500VDC	>1000		MOhm

## Output Specifications

Parameters	Conditions	Typical	Maximum	Units
Voltage accuracy		±2		%
Over voltage protection		Zener diode clamp		
Over current protection		>110 FL		%
Short Circuit protection		Continuous		
Short circuit restart		Auto-Restart		
Line voltage regulation		±0.5		% of Vin
Load voltage regulation (Single)	I <sub>out</sub> =25% to 100%	±0.5		%
Load voltage regulation (Dual)	I <sub>out</sub> =25% to 100%	±2		%
Temperature coefficient		±0.05		%/°C
Ripple & Noise	20MHz Bandwidth (5 & 3.3V <sub>out</sub> )	80		mV p-p
	All other output models	1		% p-p V <sub>out</sub>
Voltage adjustment range		±10		%
Minimum Load Current		25		% of Max

## General Specifications

Parameters	Conditions	Typical	Maximum	Units
Switching frequency	100% load	250		KHz
Operating temperature		-40 to +75		°C
Storage temperature		-55 to +115		°C
Maximum case temperature		100		°C
Derating	See chart below	45		°C
Cooling		Free air convection		
Humidity			95	% RH

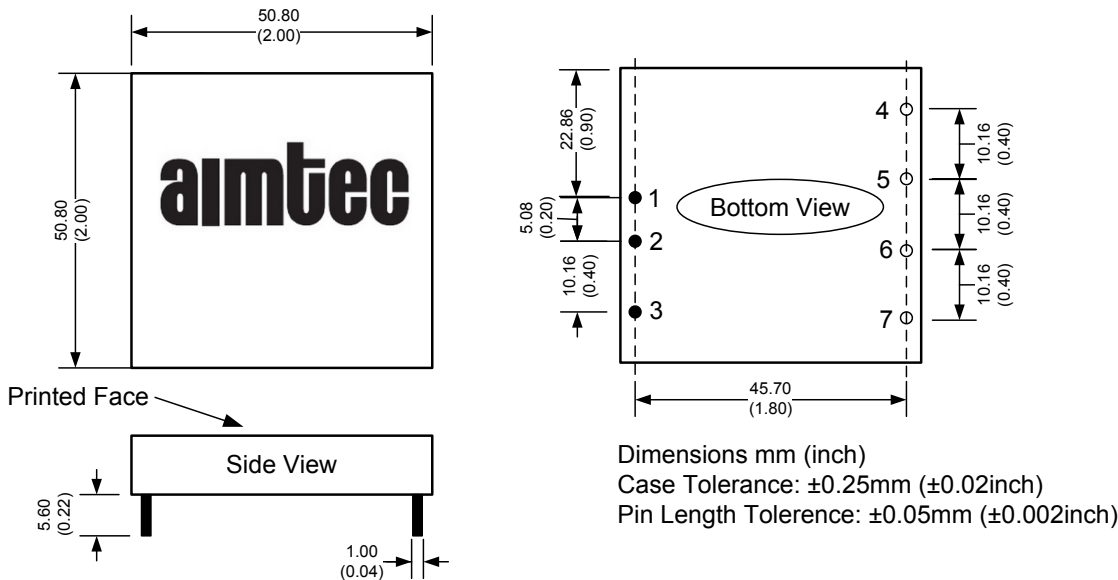
### General Specifications (continued)

Parameters	Conditions	Typical	Maximum	Units
Case material		Nickel – coated Copper with nonconductive base		
Weight		65		g
Dimensions (L x W x H)		2.00 x 2.00 x 0.40 inches	50.81 x 50.81 10.20 mm	
MTBF		>1 500 000 hrs ( MIL-HDBK-217 F at +25 °C)		
Maximum soldering temperature				°C
Transient recovery time	50% load step change		280	uS

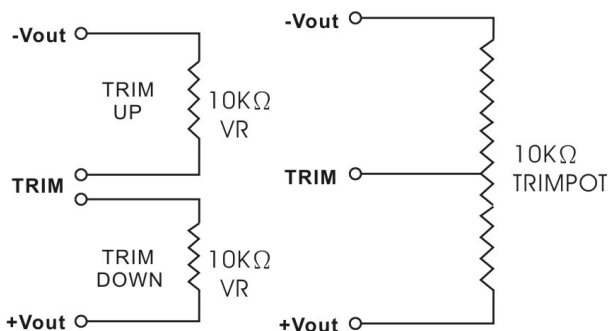
### Pin Out Specifications

Pin	1000 & 3000VDC	
	Single	Dual
1	+V Input	+V Input
2	-V Input	-V Input
3	On/Off Control	On/Off Control
4	No pin	+V Output
5	+V Output	Common
6	-V Output	-V Output
7	Trim	Trim

### Dimensions

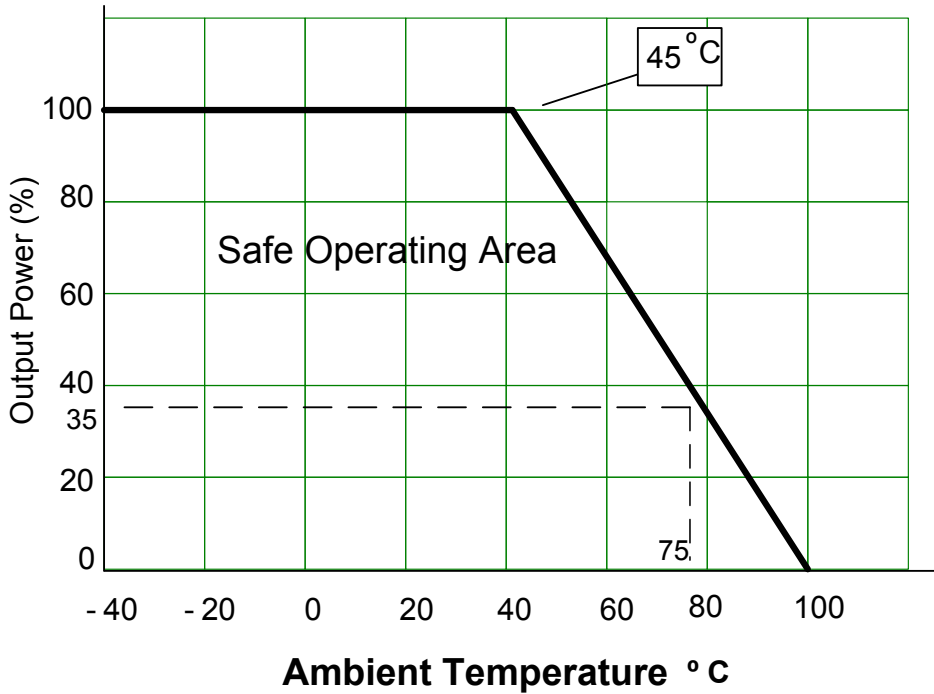


### Trimming

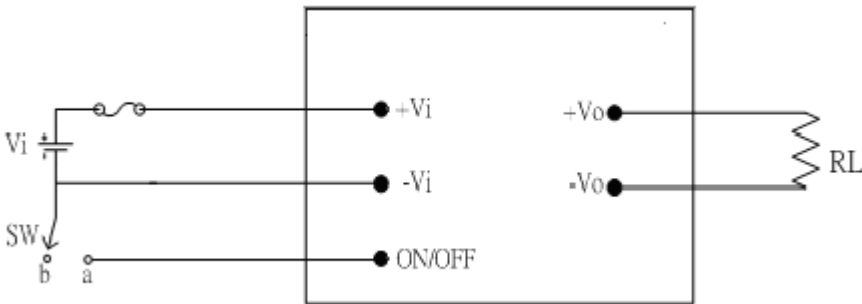


**Derating**

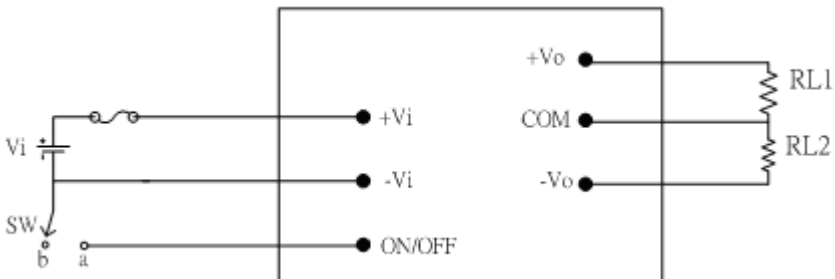
**Free Air Convection**



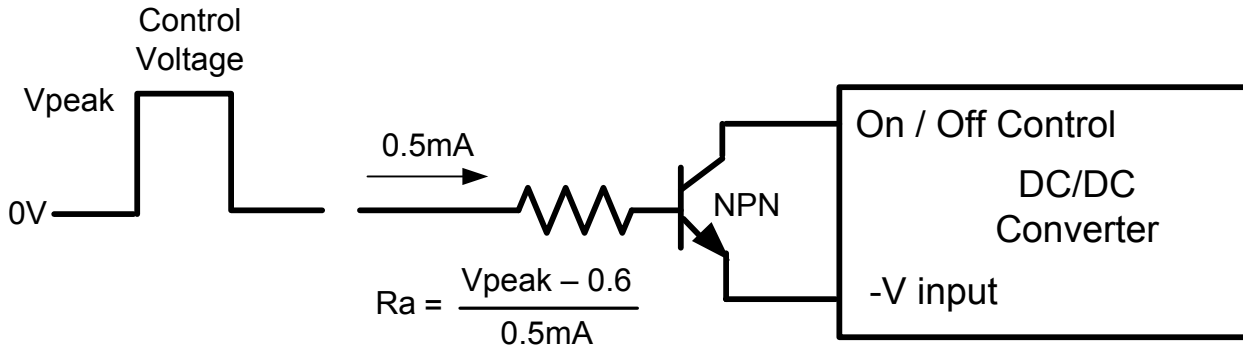
**Control ON/OFF pin connection example**  
**Single Output**



**Dual Output**



**Digital Control Circuit:**



**NOTE:** 1. Datasheets are updated as needed and as such, specifications are subject to change without notice. Once printed or downloaded, datasheets are no longer controlled by Aimtec; refer to [www.aimtec.com](http://www.aimtec.com) for the most current product specifications. 2. Product labels shown, including safety agency certifications on labels, may vary based on the date manufactured. 3. Mechanical drawings and specifications are for reference only. 4. All specifications are measured at an ambient temperature of 25°C, humidity<75%, nominal input voltage and at rated output load unless otherwise specified. 5. Aimtec may not have conducted destructive testing or chemical analysis on all internal components and chemicals at the time of publishing this document. CAS numbers and other limited information are considered proprietary and may not be available for release. 6. This product is not designed for use in critical life support systems, equipment used in hazardous environments, nuclear control systems or other such applications which necessitate specific safety and regulatory standards other the ones listed in this datasheet. 7. Warranty is in accordance with Aimtec's standard Terms of Sale available at [www.aimtec.com](http://www.aimtec.com).