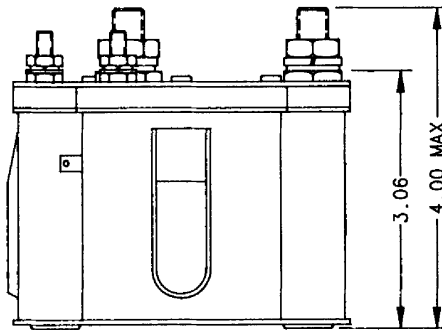
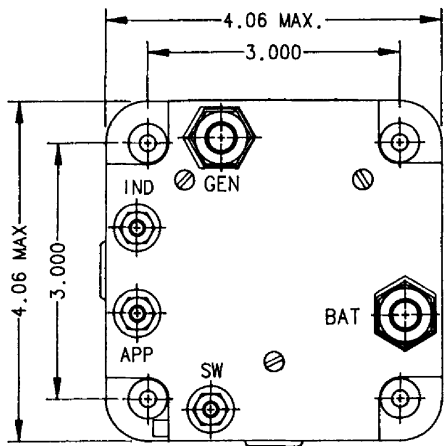


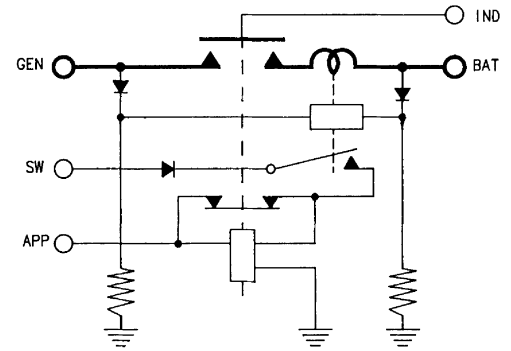
A-701D SPST N.O., 400 Amps, 28 VDC, Cutout Reverse Current

Features:

- SPST N.O. Main Contacts
- Economizing Coil
- 28 VDC
- 400 Amps
- High Reliability
- Meets many requirements of MIL-R-6106



CONTACTOR CONFIGURATION



Notes:

Dimensions for this product are expressed in inches. Multiply values by 25.4 for millimeters.

PRODUCT SPECIFICATIONS

| | |
|--|--------------------------|
| Construction | Gasket Sealed, Vented |
| Main Contacts: | |
| Configuration | SPST N.O. |
| Voltage (Nominal) | 28 VDC |
| Current (Resistive) | 400 Amps |
| Main Contactor Coil: | |
| Duty Cycle (SEE NOTE) | Continuous (Economizing) |
| Voltage (Nominal) | 28 VDC |
| Pick-Up Voltage | 18 VDC Maximum |
| Drop-Out Voltage | .5 - 7 VDC |
| Coil Current @ +25°C | |
| Pick-Up | 3.75 Amp |
| Hold | 0.35 Amp |
| Differential Voltage Coil: | |
| Positive Drop-Out (+BAT, -CASE) | 22 VDC |
| Differential Voltage Pick-Up +GEN to BAT | .4 ±25 VDC |
| Unexcited Bus Pick-Up (+GEN, -CASE) | 18 - 24 VDC |
| Reverse Current Drop-Out (+BAT to GEN) | 25 - 50 Amps |
| Weight Maximum | 3 Lbs. 10 Oz. |

NOTE: Intermittent coil duty with voltage applied to APP.

TYPICAL APPLICATION: Reverse current protection for 1000 ampere DC starter/generators and/or transformer rectifier units.

Contact Hartman for a detailed Theory of Operation.

For factory-direct application assistance, contact the HARTMAN product team at (419) 521-9500, Fax (419) 526-2749.

© 2004 by Tyco Electronics Corporation. All Rights Reserved. HARTMAN and TYCO are trademarks.