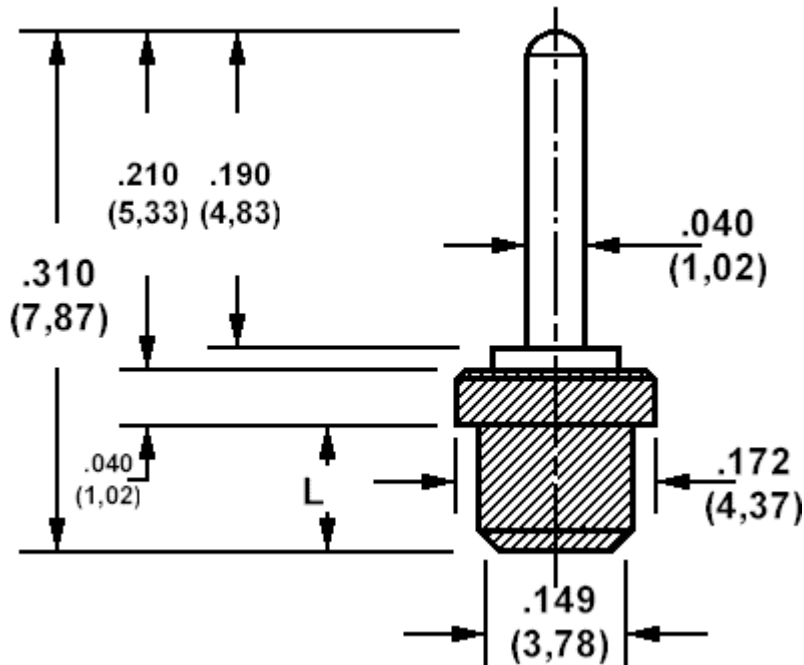


571-4037 Insulated solder terminal, Pin type

Recommended mounting hole .136 (3,45)



How to order code

571-4037-XX-YY-19

Basic Part No (XX = Panel thickness, YY = plating finish. See tables for options)

Basic Part No.		L	Panel Thickness (XX)
571-4037	-01	.060 (1,52)	.016 (0,40) only

Component	Material	Finish ₁ (YY)	
		-01	-05
Terminal	Brass	Silver	Electro Solder
Insulator	Teflon - white		

Additional Specifications	
Flashover VRMS at Sea Level	3000
Capacitance (pF)	0.5

Teflon is a registered trademark of Dupont