

**PLEASE CHECK WWW.MOLEX.COM FOR LATEST PART INFORMATION**

**Part Number:** [0887625400](#)  
**Status:** **Active**  
**Overview:** [serial\\_ata\\_products](#)  
**Description:** 1.27mm (.050") Pitch Serial ATA Straight-to-Right Angle Signal Cable Assembly, 0.50m (1.64' ) Length, Red, Leadfree

**Documents:**

[Drawing \(PDF\)](#) [RoHS Certificate of Compliance \(PDF\)](#)

**General**

Product Family	Cable Assemblies
Series	<a href="#">88755</a>
Comments	Generation 2 (300MB/s)
Connector to Connector	Serial ATA-to-Serial ATA
Overview	<a href="#">serial_ata_products</a>
Product Name	Serial ATA

**Physical**

Cable Length	0.50m (1.64' )
Circuits (Loaded)	7
Color - Resin	Black, Natural
Gender	Female-Female
Lock to Mating Part	Yes
Material - Metal	Phosphor Bronze
Material - Resin	Low Density Polyethylene, Polyester
Packaging Type	Bag
Pitch - Mating Interface (in)	0.050 In
Pitch - Mating Interface (mm)	1.27 mm
Single Ended	No
Termination Interface: Style	Surface Mount
Wire Insulation Diameter	N/A
Wire Size AWG	26
Wire/Cable Type	PVC

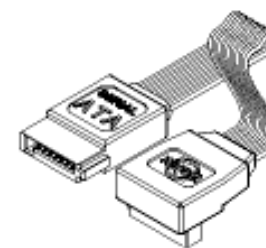
**Electrical**

Current - Maximum per Contact	1.5A
Impedance	100 ohms
Shielded	Yes
Voltage - Maximum	40V

**Material Info**

**Reference - Drawing Numbers**

Sales Drawing [SD-88755-009](#), [SD-88762-5400](#)



*image - Reference only*

*Series*

**EU RoHS**

**ELV and RoHS  
Compliant**  
**REACH SVHC**  
 Not Reviewed  
**Halogen-Free  
Status**

**China RoHS**



**Not Reviewed**  
**Need more information on product  
environmental compliance?**

Email [productcompliance@molex.com](mailto:productcompliance@molex.com)  
 For a multiple part number RoHS Certificate of Compliance, [click here](#)

Please visit the [Contact Us](#) section for any non-product compliance questions.

**Search Parts in this Series**  
[88755Series](#)

6

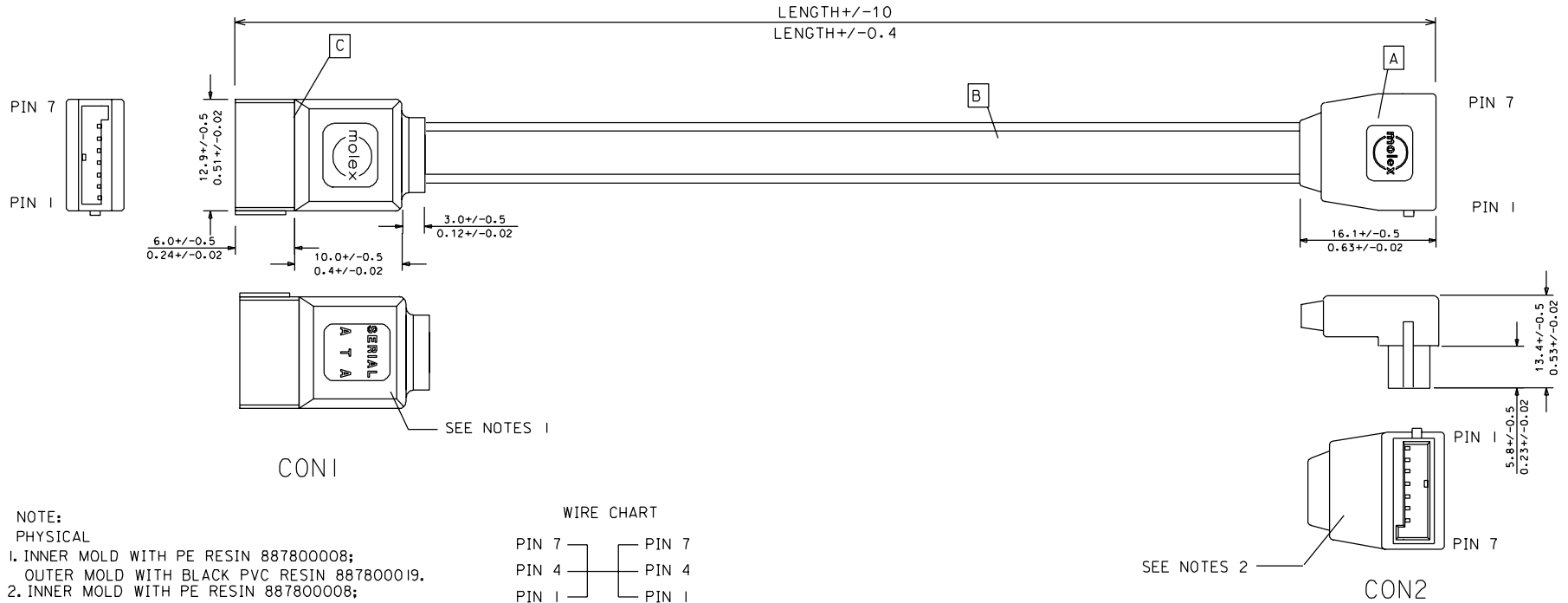
5

4

3

2

1



NOTE:  
 PHYSICAL  
 1. INNER MOLD WITH PE RESIN 887800008;  
 OUTER MOLD WITH BLACK PVC RESIN 887800019.  
 2. INNER MOLD WITH PE RESIN 887800008;  
 OUTER MOLD WITH BLACK PVC RESIN 887800042.  
 ELECTRICAL PERFORMANCE:  
 3. DIELECTRONIC STRENGTH: 500V DC  
 4. INSULATION RESISTANCE: 100M OHMS Min.  
 5. CONDUCTIVE RESISTOR: 2 OHMS Max.

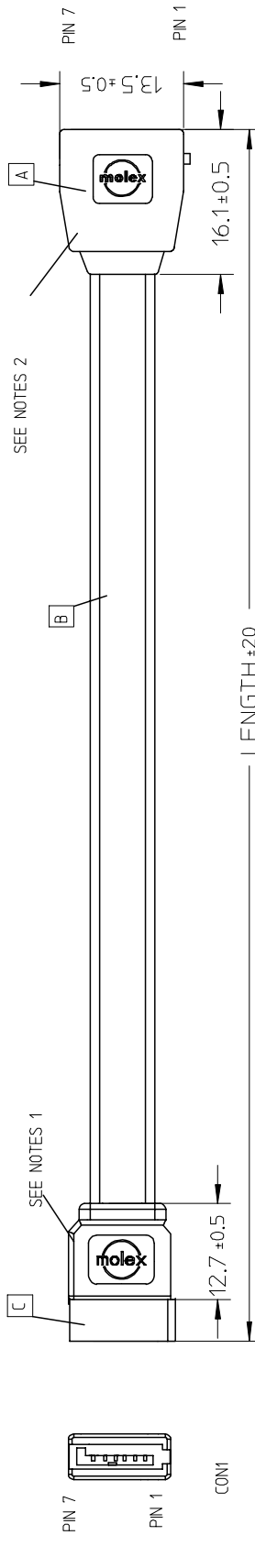
WIRE CHART

PIN 7	—	PIN 7
PIN 4	—	PIN 4
PIN 1	—	PIN 1
PIN 6	—	PIN 6
PIN 5	—	PIN 5
PIN 3	—	PIN 3
PIN 2	—	PIN 2
CON1		CON2

887625410	1000mm	40 INCH
887625400	500mm	20 INCH
MOLEX P/N	LENGTH	LENGTH

C	S-ATA STRAIGHT CONN. 675380001		I
B	2PX26AWG S-ATA CABLE RED 887808052	N/A	I
A	S-ATA R/A CONN. 887899745		I
ITEM	DESCRIPTION	L	QTY.

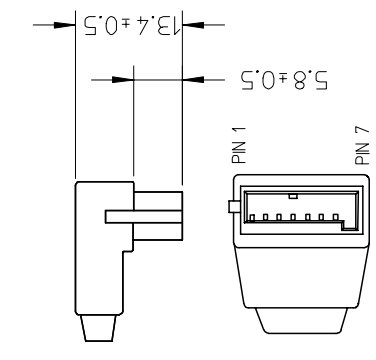
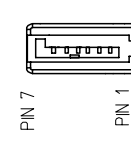
EC NO. DRAWN: Louis 04/02/17 CHK: APPR:	DESCRIPTION	QUALITY SYMBOLS	GENERAL TOLERANCES: (UNLESS SPECIFIED)	SCALE N.T.S	DESIGN UNITS <input checked="" type="checkbox"/> mm <input type="checkbox"/> INCH	THIRD ANGLE PROJECTION	DIMENSIONS: <input checked="" type="checkbox"/> mm <input type="checkbox"/> INCH <input type="checkbox"/> mm <input type="checkbox"/> ONLY	SHT	REV
		MAJOR ▼ = 0 CRITICAL ▽ = 0	4 PLACES ±0. ±. 3 PLACES ±0. ±. 2 PLACES ±0. ±. 1 PLACE ±0. ±.	mm INCH	DRAWN BY & DATE Louis Chen 03/11/24	TITLE: S-ATA STRAIGHT TO RIGHT ANGEL SIGNAL RED CABLE, 0.5M, IM			
A	REV		ANGULAR: ± °	CAD FILENAME J6254-XX .DGN	MATERIAL NO. 8876254XX	DRAWING NO. SD-88755-009	SHEET NO. 1 OF 1		SIZE A4
THIS DRAWING CONTAINS INFORMATION THAT IS PROPRIETARY TO MOLEX INCORPORATED AND SHOULD NOT BE USED WITHOUT WRITTEN PERMISSION.									



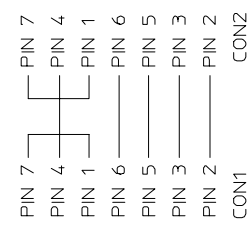
SEE NOTES 2

SEE NOTES 1

LENGTH±20



WIRE CHART



NOTE:

- PHYSICAL
- 1. INNER MOLD WITH PE RESIN 887800008,
- OUTER MOLD WITH BLACK PVC RESIN 887800019,
- 2. INNER MOLD WITH PE RESIN 887800008,
- OUTER MOLD WITH BLACK PVC RESIN 887800042.
- ELECTRICAL PERFORMANCE:
- 3. DIELECTRIC STRENGTH<math>E\_{500V}</math> DC
- 4. INSULATION RESISTANCE<math>100M</math> OHMS Min.
- 5. CONDUCTIVE RESISTOR: 2 OHMS Max.

887625410	1000mm	40 INCH
887625400	500mm	20 INCH
MOLEX P/N	LENGTH	LENGTH

C	S-ATA STRAIGHT CONN. 674898002	SCALE	---	DESIGN UNITS	METRIC	THIRD ANGLE PROJECTION	QTY.	1
B	2PX26AWG S-ATA CABLE RED 887808052	TITLE	S-ATA ST TO R/A RED 1.0M CABLE ASSY					1
A	S-ATA R/A CONN. 887899745	DATE	2005/03/24	DATE	2005/03/24	DATE	2005/03/24	1

QUALITY SYMBOLS	DESCRIPTION
▶=0	APPR:TKAN 2005/04/01
◻=0	CHKD:TEDDY 2005/03/31
	DRWN:JLIU13 2005/03/31
	FCC NO: DG2005-0120
	ENTER DESCRIPTION

GENERAL TOLERANCES (UNLESS SPECIFIED)	DIMENSION STYLE	SCALE	---	DESIGN UNITS	METRIC	THIRD ANGLE PROJECTION	
4 PLACES ± ---	MM ONLY	DATE	2005/03/24	DATE	2005/03/24	DATE	2005/03/24
3 PLACES ± ---	DRAWN BY	JLIU13	CHECKED BY	TEDDY	APPROVED BY	BORON	
2 PLACES ± ---	ANGULAR	± ---°	DRAFT WHERE APPLICABLE MUST REMAIN WITHIN DIMENSIONS				

MATERIAL NO.	887625410	DOCUMENT NO.	SD-88762-5410	SHEET NO.	1 OF 1
THIS DRAWING CONTAINS INFORMATION THAT IS PROPRIETARY TO MOLEX INCORPORATED AND SHOULD NOT BE USED WITHOUT WRITTEN PERMISSION					