

TITLE
TRANSFORMER, ADSL
CP

SCHOTT
 CORPORATION
 1000 PARKERS LAKE ROAD
 WAYZATA, MN 55391

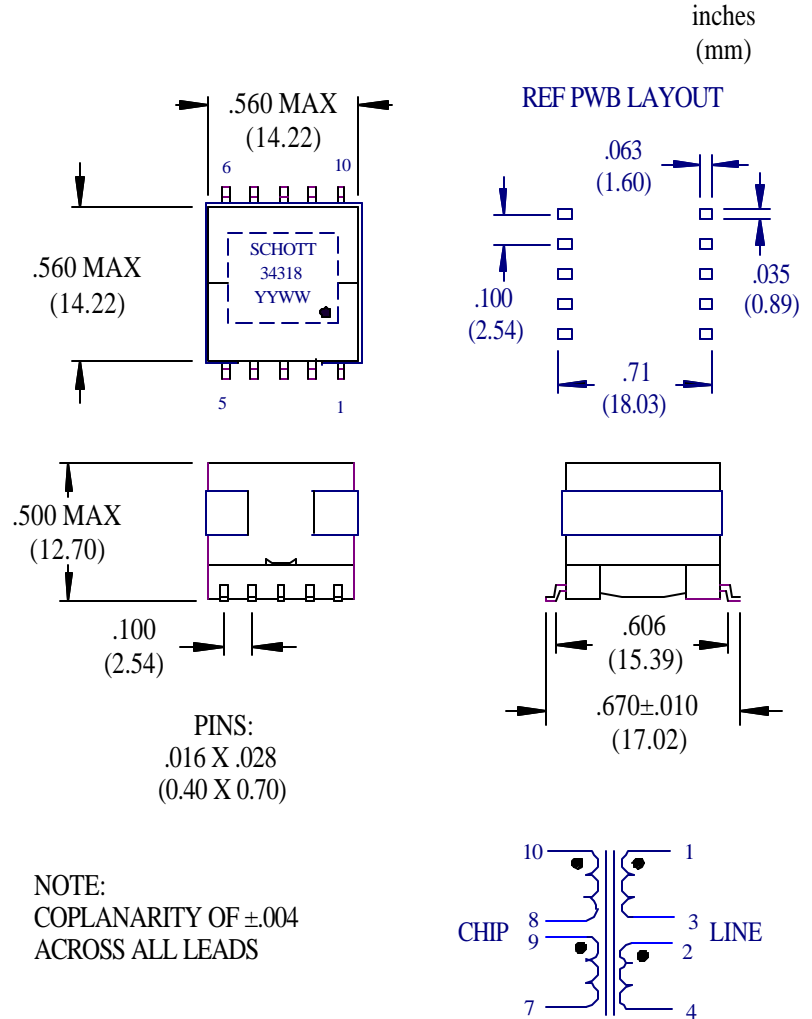
AGENCY APPROVAL:
BABT CERT #610066
UL E145198

PART NUMBER
34318
 REV E PAGE 1 END

SPECIFICATIONS

TEMP CLASS 105°C
 DESIGNED TO MEET UL 1950/IEC-950 REQUIREMENTS
 WORKING VOLTAGE 250 VRMS, SUPPLEMENTARY INSULATION

1. INDUCTANCE: @ 0.1 Vrms, 10 KHz,
 10-8-9-7 = 418 TO 462 μH
2. LEAKAGE INDUCTANCE: @ 0.1 Vrms, 100 KHz
 10-8-9-7 W/ 1-3-2-4 SHORTED = 15 μH MAX
3. IWC: 1-3-2-4 TO 10-8-9-7
 @ 100 KHz, 0.1Vrms = 50 pF MAX
4. TURNS RATIO: 10-8 : 9-7 : 1-3 : 2-4 = 1 : 1 : 1 : 1 ± 2%
5. DC RESISTANCE: OHMS MAX
 1-3, 2-4 = 0.60
 10-8, 9-7 = 1.60
6. LONGITUDINAL BALANCE: V1 = 0dBm @ 100 KHz
 Rs = 100 OHMS, Rl = 100 OHMS, LINE = 1-3-2-4
 CHIP = 10-8-9-7, V2 = 60 dB MIN
7. DIELECTRIC STRENGTH: 1500 Vac, 1 minute
 (2500 VDC, 1 second, minimum automatic test
 2 second minimum manual test)
 1-2-3-4 TO 7-8-9-10
 ALL WINDINGS TO CORE
8. HARMONIC DISTORTION:
 V1 = 5.32 VRMS @ 100 KHz, Rs = 100 OHMS,
 Rl = 100 OHMS, LINE = 1-3-2-4, CHIP = 10-8-9-7
 V2 = -80 dB MAX



TOLERANCES	2 PLACE	3 PLACE	ANGLE
UNLESS OTHERWISE NOTED	+ .02	+ .010	+ °