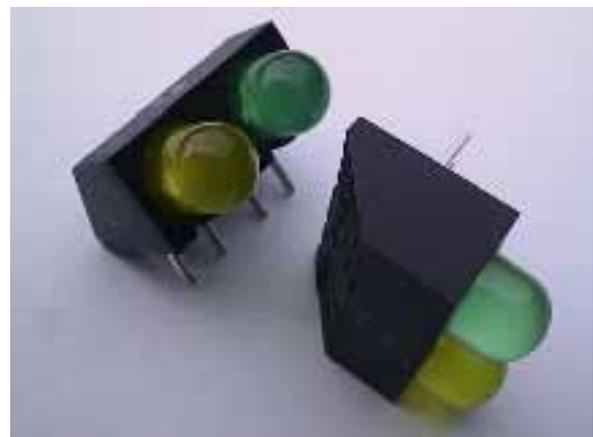
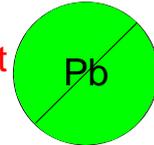


SSA 339 DOUBLE 5mm LED CIRCUIT BOARD

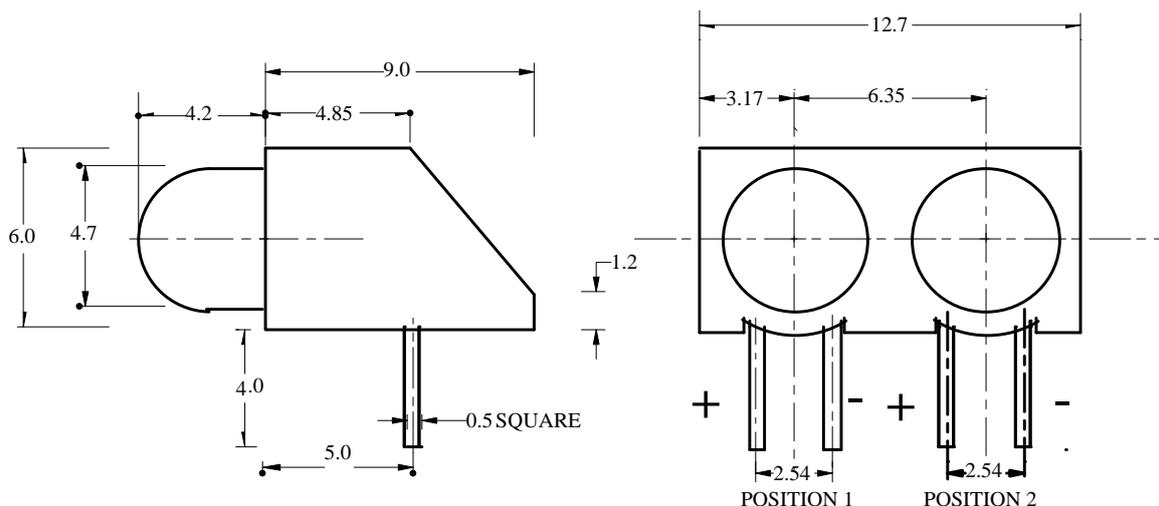
The SSA339 is a double 5mm LED assembly for mounting at 90 deg to a PCB. The housing is moulded in Black Nylon 6 V0 rated.

- Diffuse LEDs used in standard part.
- Range of colours and currents available,
- Direct equivalent to Lumex SSF-LXM250LXXD Series
- Colour and polarity options.

This component is RoHS compliant



MECHANICAL DATA



BEDFORD OPTO TECHNOLOGY LTD
1, BIGGAR BUSINESS PARK, BIGGAR, LANARKSHIRE, ML12 6FX
Tel: +44 (0) 1899 221221 Fax: +44 (0) 1899 221009
Website: bot.co.uk E-mail: bill@bot.co.uk

PARAMETER	Green	Yellow	Red
Continuous Forward Current	30mA	20mA	15mA
Peak Forward Current (1/10 @ 1Khz)	120mA	80mA	60mA
Power Dissipation	100mW	60mW	40mW
Reverse Current [Vr=5V]	10µA	100µA	10µA
Operating Temperature range	-40°C to +85°C		
Storage Temperature	-40°C to +100°C		
Lead Soldering Temperature (2.0mm from body)	260°C for 5secs		

Electro-Optical Data (TA = 25°C)

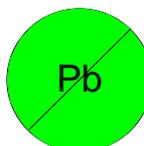
PARAMETER	Green	Yellow	Red
Forward Voltage Max [@2mA]	2.2V	2.2V	2.2V
Luminous Intensity Min [@2mA] Typ	3.0mcd	2.0mcd	2.0mcd
Viewing Angle 2Ø ^{1/2}	46deg	46deg	46deg
Peak Wavelength	565nm	585nm	630nm

ORDERING INFORMATION

SSA339XY where X =POSTION 1= Y=POSTION 2= R = Red
G = Green
Y = Yellow

Alternative LED types available.

This
component
is RoHS
compliant



BEDFORD OPTO TECHNOLOGY LTD
1,BIGGAR BUSINESS PARK, BIGGAR,LANARKSHIRE,ML12 6FX
 Tel: +44 (0) 1899 221221 Fax: +44 (0) 1899 221009
 Website: bot.co.uk E-mail: bill@bot.co.uk