

PLEASE CHECK WWW.MOLEX.COM FOR LATEST PART INFORMATION

Part Number: [0671550002](#)
Status: **Active**
Description: 1.27mm (.050") Pitch CF Card Header - Low Profile, Right Angle, SMT Top Mount For Type II Cards, Tray Packaging

Documents:

[3D Model](#) [Product Specification PS-67155-003 \(PDF\)](#)
[Drawing \(PDF\)](#) [RoHS Certificate of Compliance \(PDF\)](#)

Agency Certification

UL E29179

General

Product Family Memory Card Sockets
 Series [67155](#)
 Button Type N/A
 Component Type Header/Socket (Host)
 Product Name CompactFlash
 Type II

Physical

Card Detection Switch N/A
 Circuits (Loaded) 50
 Circuits (maximum) 50
 Color - Resin Natural
 Durability (mating cycles max) 10,000
 Ejector Button Side No Ejector Button Present
 Entry Angle 90° Angle (Side Entry)
 Flammability 94V-0
 Keying to Mating Part Yes
 Material - Metal Copper Alloy
 Material - Plating Mating Gold
 Material - Plating Termination Tin
 Material - Resin High Temperature Thermoplastic
 PCB Locator Yes
 PCB Mounting Side Normal
 PCB Retention Yes
 Packaging Type Tray
 Pitch - Mating Interface (in) 0.050 In
 Pitch - Mating Interface (mm) 1.27 mm
 Ports 1
 Temperature Range - Operating -20°C to +90°C
 Termination Interface: Style Surface Mount

Electrical

Current - Maximum per Contact 0.5A
 Shielded No
 Voltage - Maximum 500V

Solder Process Data

Duration at Max. Process Temperature (seconds) 5
 Lead-free Process Capability Reflow Capable (SMT only)
 Max. Cycles at Max. Process Temperature 1
 Process Temperature max. C 260

Material Info

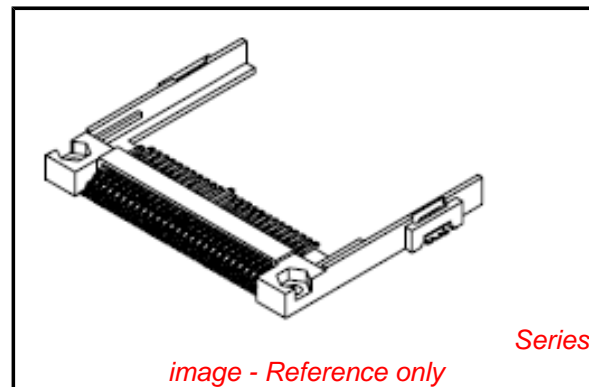


image - Reference only

EU RoHS

**ELV and RoHS
 Compliant**
**REACH SVHC
 Contains SVHC: No**
**Halogen-Free
 Status**

China RoHS



**Need more information on product
 environmental compliance?**

Email productcompliance@molex.com
 For a multiple part number RoHS Certificate of Compliance, [click here](#)

Please visit the [Contact Us](#) section for any non-product compliance questions.

Search Parts in this Series

[67155Series](#)

Mates With

[67003](#) , [67114](#) , Industry Standard CF Card

Reference - Drawing Numbers

Product Specification
Sales Drawing

PS-67155-003
SD-67155-001

This document was generated on 04/05/2010

PLEASE CHECK WWW.MOLEX.COM FOR LATEST PART INFORMATION

10 9 8 7 6 5 4 3 2 1

F F

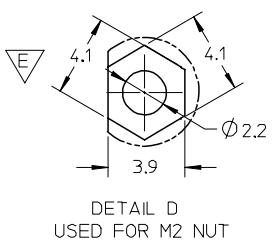
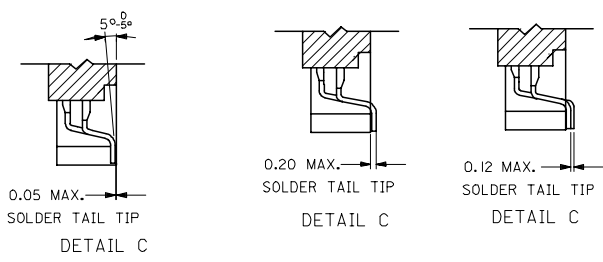
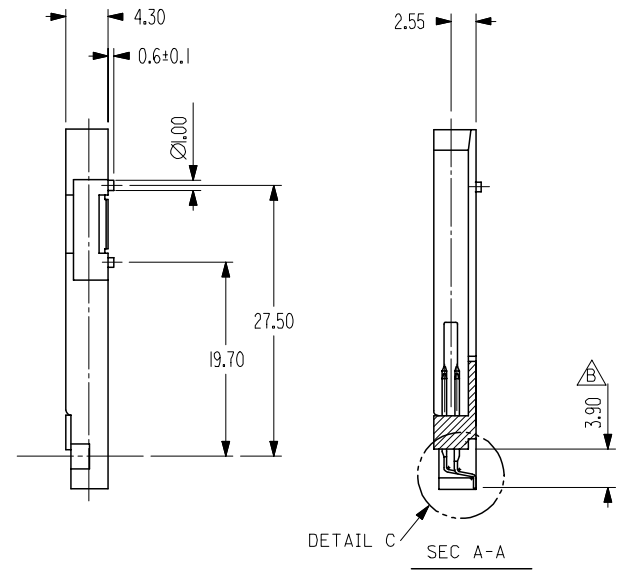
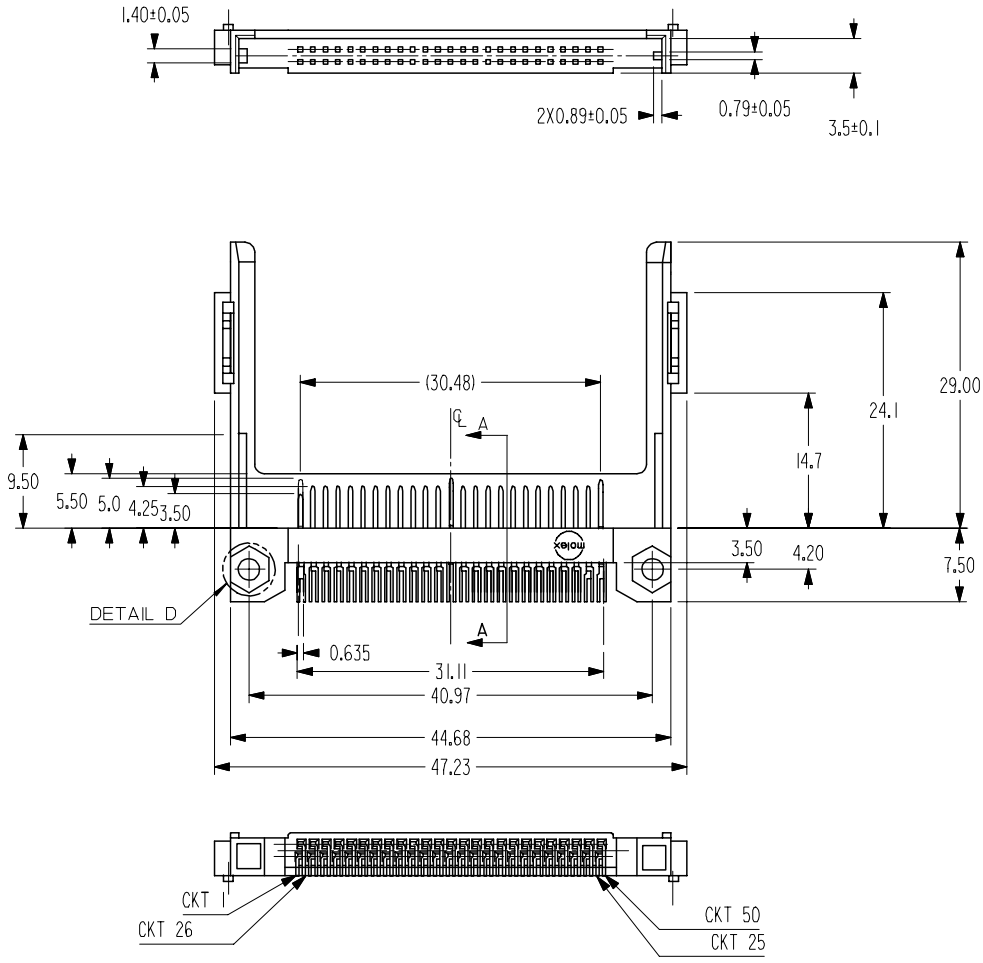
E E

D D

C C

B B

A A



REVISED	DESCRIPTION
EC NO: SH2007-0727	2007/04/10
DRWN: BCHENZ6	2007/04/11
CHKD: JTIAN	2007/04/11
APPR: INCHEM	2007/04/16

QUALITY SYMBOLS	DESCRIPTION
▽=0	
△=0	

GENERAL TOLERANCES (UNLESS SPECIFIED)		
	mm	INCH
4 PLACES	± ---	± ---
3 PLACES	± ---	± ---
2 PLACES	± 0.15	± ---
1 PLACE	± 0.15	± ---
ANGULAR ± 2 °		
DRAFT WHERE APPLICABLE MUST REMAIN WITHIN DIMENSIONS		

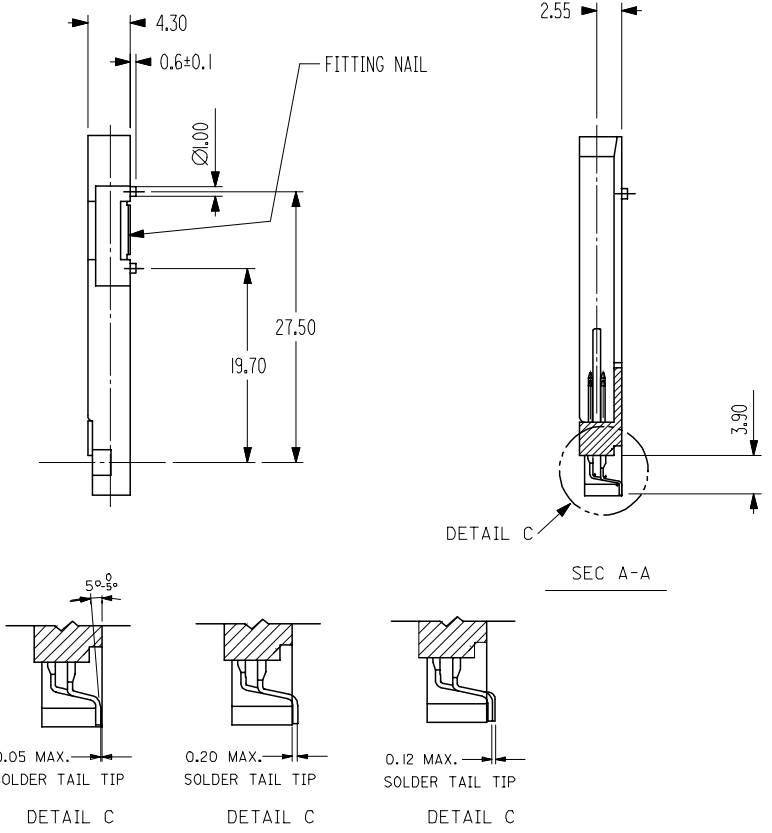
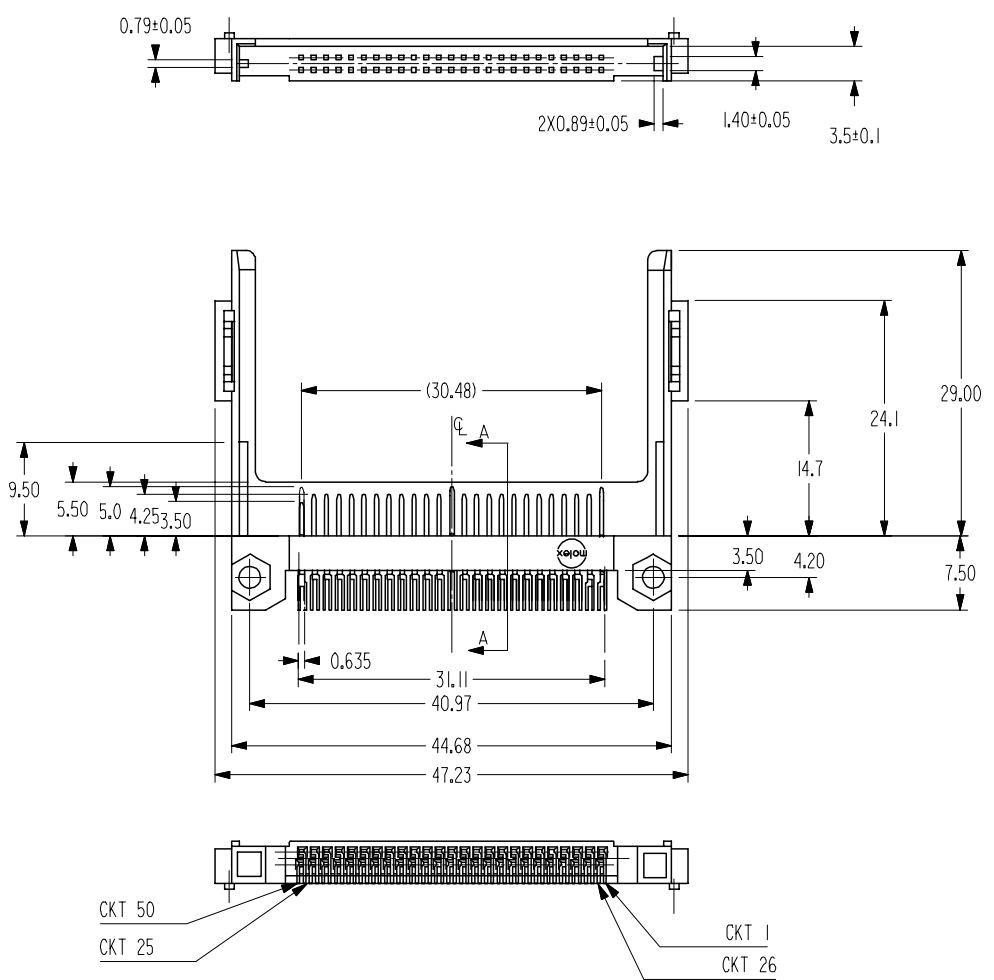
DIMENSION STYLE		SCALE	DESIGN UNITS	THIRD ANGLE PROJECTION
MM ONLY		2:1	METRIC	
DRAWN BY	DATE	TITLE		
JACK LIN	1998/08/06	50 CIRCUITS CF LOW PROFILE HEADER		
CHECKED BY	DATE			
WALLY WA	1998/08/06			
APPROVED BY	DATE			
MEGA LIN	1998/08/06	MOLEX INCORPORATED		
MATERIAL NO.	DOCUMENT NO.	SHEET NO.		
671550001	SD-67155-001	1 OF 4		

MOLEX INCORPORATED		
THIS DRAWING CONTAINS INFORMATION THAT IS PROPRIETARY TO MOLEX INCORPORATED AND SHOULD NOT BE USED WITHOUT WRITTEN PERMISSION		

9 8 7 6 5 4 3 2 1

10 9 8 7 6 5 4 3 2 1

F
E
D
C
B
A



REVISED	DESCRIPTION
EC NO: SH2007-0727	2007/04/10
DRWN: BCHENZ6	2007/04/11
CHKD: JTIAN	2007/04/11
APPR: JNCHEN	2007/04/16

QUALITY SYMBOLS	DESCRIPTION
▽=0	
△=0	

GENERAL TOLERANCES (UNLESS SPECIFIED)	mm	INCH
4 PLACES	± ---	± ---
3 PLACES	± ---	± ---
2 PLACES	± 0.15	± ---
1 PLACE	± 0.15	± ---
ANGULAR ± 2 °		
DRAFT WHERE APPLICABLE MUST REMAIN WITHIN DIMENSIONS		

DIMENSION STYLE		SCALE	DESIGN UNITS	THIRD ANGLE PROJECTION
MM ONLY		2:1	METRIC	
DRAWN BY	DATE	TITLE		
JACK LIN	1998/08/06	50 CIRCUITS CF LOW PROFILE HEADER		
CHECKED BY	DATE			
WALLY WA	1998/08/06			
APPROVED BY	DATE			
MEGA LIN	1998/08/06	MOLEX INCORPORATED		
MATERIAL NO.	671550002	DOCUMENT NO.	SD-67155-001	SHEET NO.
SIZE	A3	THIS DRAWING CONTAINS INFORMATION THAT IS PROPRIETARY TO MOLEX INCORPORATED AND SHOULD NOT BE USED WITHOUT WRITTEN PERMISSION		

MOLEX	MOLEX INCORPORATED
DOCUMENT NO.	SD-67155-001
SHEET NO.	2 OF 4

9 8 7 6 5 4 3 2 1

10 9 8 7 6 5 4 3 2 1

F

E

D

C

B

A

F

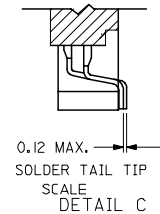
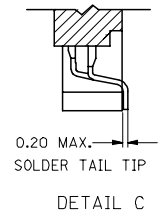
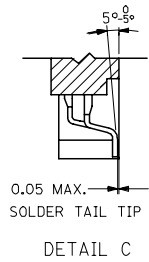
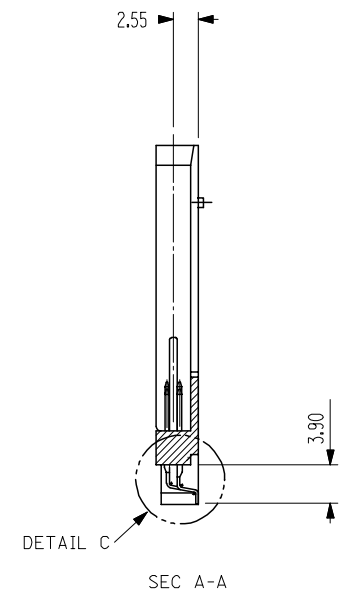
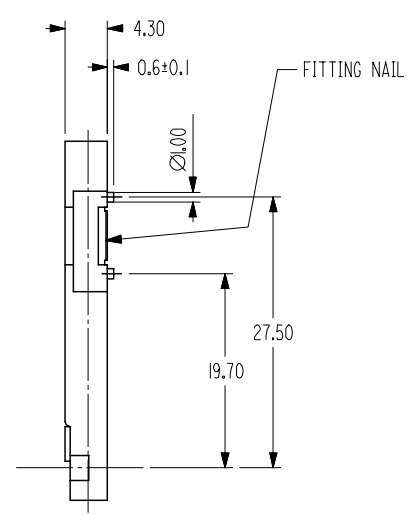
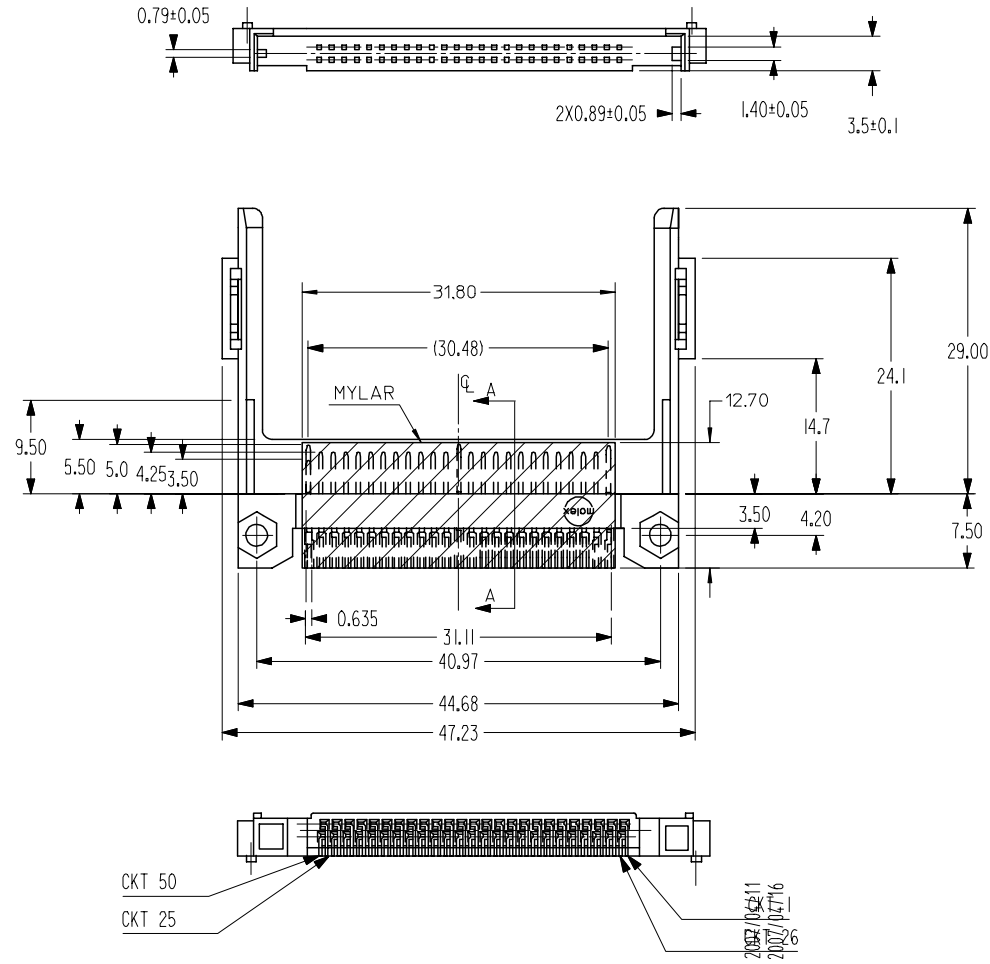
E

D

C

B

A



REVISED	EC NO: SH2007-0727	2007/04/10
	DRWN: BCHENZ6	2007/04/11
	CHKD: JTIAN	2007/04/16
	APPR: JNCHEN	2007/04/26

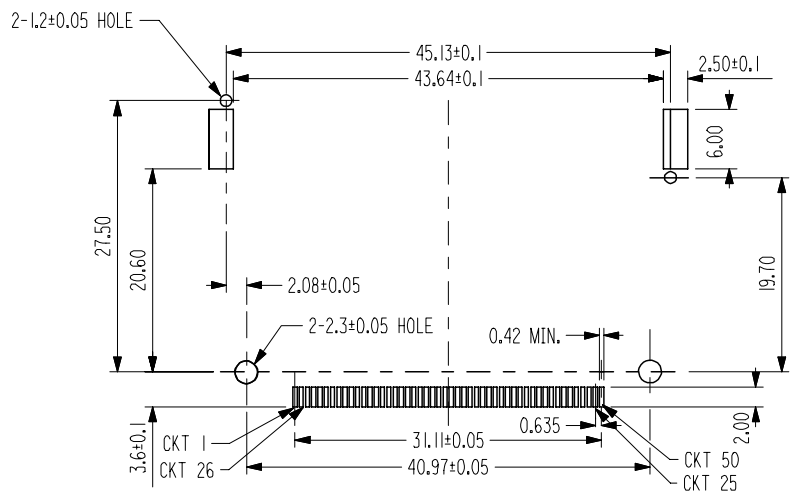
REV	DESCRIPTION
▽=0	QUALITY SYMBOLS
△=0	

GENERAL TOLERANCES (UNLESS SPECIFIED)	
mm	INCH
4 PLACES ± ---	± ---
3 PLACES ± ---	± ---
2 PLACES ± 0.15	± ---
1 PLACE ± 0.15	± ---
ANGULAR ± 2 °	
DRAFT WHERE APPLICABLE MUST REMAIN WITHIN DIMENSIONS	

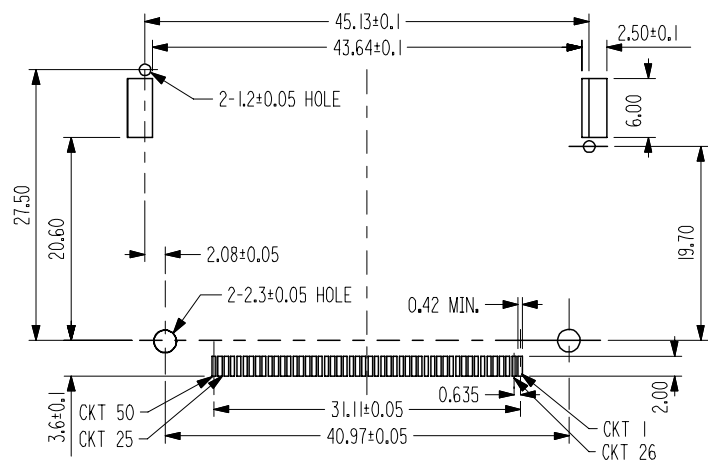
DIMENSION STYLE	
MM ONLY	
DRAWN BY	DATE
JACK LIN	1998/08/06
CHECKED BY	DATE
WALLY WA	1998/08/06
APPROVED BY	DATE
MEGA LIN	1998/08/06
MATERIAL NO.	
671550003	

2:1	DESIGN UNITS METRIC	THIRD ANGLE PROJECTION
50 CIRCUITS CF LOW PROFILE HEADER		
MOLEX INCORPORATED		
DOCUMENT NO.	SHEET NO.	
SD-67155-001	3 OF 4	
THIS DRAWING CONTAINS INFORMATION THAT IS PROPRIETARY TO MOLEX INCORPORATED AND SHOULD NOT BE USED WITHOUT WRITTEN PERMISSION		

9 8 7 6 5 4 3 2 1



RECOMMENDED PCB LAYOUT
REVERSE TYPE



RECOMMENDED PCB LAYOUT
STANDARD TYPE

NOTES:

1. MATERIAL : HOUSING: HIGH TEMP PLASTIC, UL94 V-0, COLOR: IVORY
TERMINAL: COPPER ALLOY
2. PLATING: CONTACT AREA: AU OVER PD-NI
SOLDERING TAIL: TIN
NICKEL OVERALL
FITTING NAIL: TIN
NICKEL OVERALL
3. RECOMMENDED PCB THICKNESS: 0.8MM
4. THE COPLANARITY OF SOLDER TAILS SHOULD BE WITHIN 0.12 MM
5. FOR PRODUCT SPECIFICATION: REFER TO PS-67155-003

PART NUMBER	DISCRIPTION	PACKAGING
67155-0001	REVERSE TYPE	TYAY PK-67155-001
67155-0002	STANDARD TYPE	
67155-0003	STANDARD TYPE WITH MYLAR	TAPE & REEL PK-67155-002
67155-0004	STANDARD TYPE WITH MYLAR	

REVISED EC NO: SH2007-0727 DRWN: BCHENZ6 CHKD: JTIAN APPR: JNCHEN	DESCRIPTION 2007/04/10 2007/04/11 2007/04/16	QUALITY SYMBOLS	GENERAL TOLERANCES (UNLESS SPECIFIED)	DIMENSION STYLE MM ONLY	SCALE 2:1	DESIGN UNITS METRIC	THIRD ANGLE PROJECTION																														
		$\nabla = 0$ $\triangle = 0$	<table border="1"> <tr> <th></th> <th>mm</th> <th>INCH</th> </tr> <tr> <td>4 PLACES</td> <td>± ---</td> <td>± ---</td> </tr> <tr> <td>3 PLACES</td> <td>± ---</td> <td>± ---</td> </tr> <tr> <td>2 PLACES</td> <td>± 0.15</td> <td>± ---</td> </tr> <tr> <td>1 PLACE</td> <td>± 0.15</td> <td>± ---</td> </tr> <tr> <td colspan="3">ANGULAR ± 2 °</td> </tr> </table>		mm	INCH	4 PLACES	± ---	± ---	3 PLACES	± ---	± ---	2 PLACES	± 0.15	± ---	1 PLACE	± 0.15	± ---	ANGULAR ± 2 °			<table border="1"> <tr> <th>DRAWN BY</th> <th>DATE</th> </tr> <tr> <td>JACK LIN</td> <td>1998/08/06</td> </tr> <tr> <th>CHECKED BY</th> <th>DATE</th> </tr> <tr> <td>WALLY WA</td> <td>1998/08/06</td> </tr> <tr> <th>APPROVED BY</th> <th>DATE</th> </tr> <tr> <td>MEGA LIN</td> <td>1998/08/06</td> </tr> </table>	DRAWN BY	DATE	JACK LIN	1998/08/06	CHECKED BY	DATE	WALLY WA	1998/08/06	APPROVED BY	DATE	MEGA LIN	1998/08/06	TITLE	50 CIRCUITS CF LOW PROFILE HEADER	MOLEX INCORPORATED
			mm	INCH																																	
		4 PLACES	± ---	± ---																																	
3 PLACES	± ---	± ---																																			
2 PLACES	± 0.15	± ---																																			
1 PLACE	± 0.15	± ---																																			
ANGULAR ± 2 °																																					
DRAWN BY	DATE																																				
JACK LIN	1998/08/06																																				
CHECKED BY	DATE																																				
WALLY WA	1998/08/06																																				
APPROVED BY	DATE																																				
MEGA LIN	1998/08/06																																				
DRAFT WHERE APPLICABLE MUST REMAIN WITHIN DIMENSIONS	SEE TABLE	MATERIAL NO. DOCUMENT NO. SD-67155-001	SHEET NO. 4 OF 4																																		