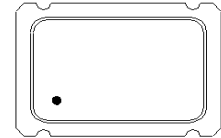


Preliminary



XO3001

**125 MHz
Crystal
Oscillator**



**SM7050-4
7x5 mm Case**

- **Crystal Oscillator**
- **Surface Mount Seam Weld Package**
- **Good Frequency Stability over Temperature**
- **Excellent Reliability**

Electrical Characteristics

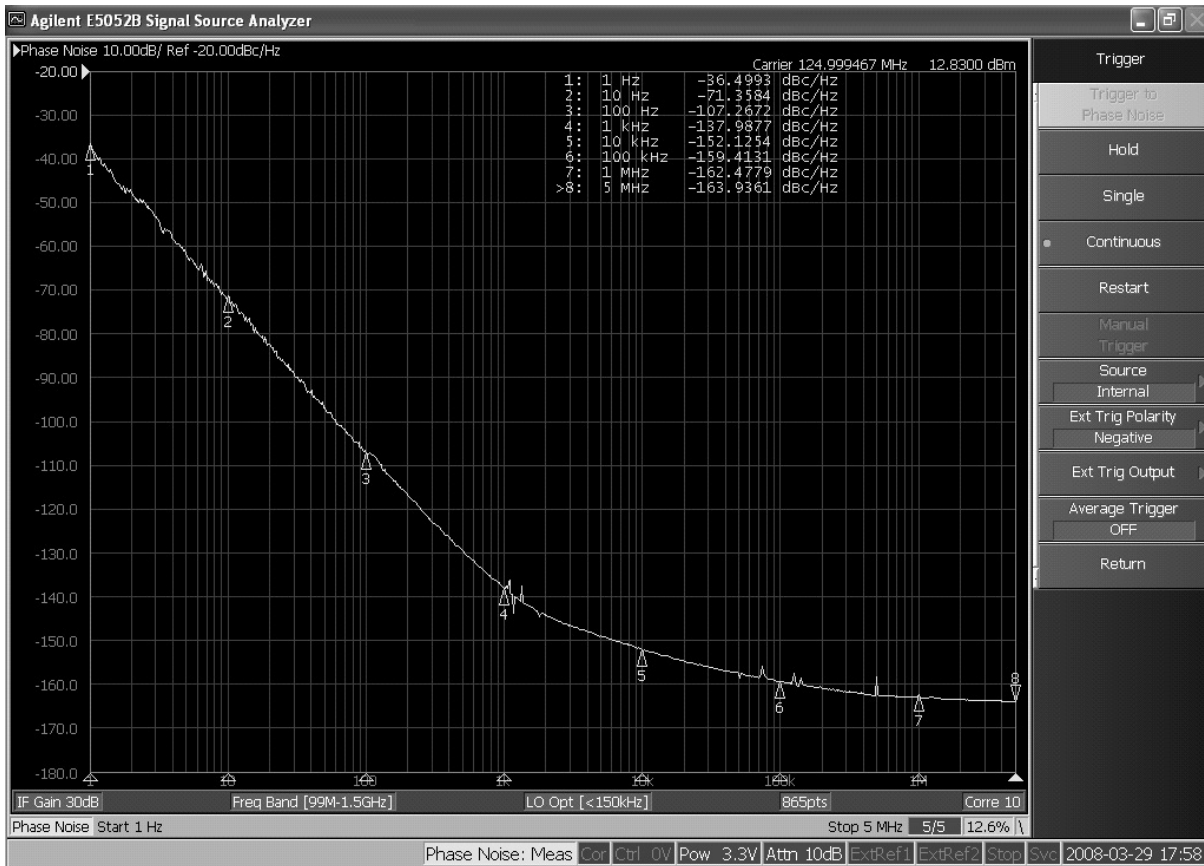
Characteristic	Sym	Notes	Minimum	Typical	Maximum	Units
Nominal Frequency	Fo			125.000000		MHz
Storage Temperature Range			-55		+125	°C
Operating Temperature Range			-40		+85	°C
Power Supply Voltage	Vcc		2.97	3.30	3.63	V
Load			10KΩ 15 pF (HCMOS)			
"0" Level					0.33	V
"1" Level			2.97			V
Power Supply Current	Icc				35	mA
Frequency Accuracy, -40 to +85 °C					±50	ppm
Aging at 25 °C					±1	ppm/yr
Duty Cycle			40% to 60%			
Rise Time (10% to 90% of final RF level in Vp-p)					10	ns
Fall Time (90% to 10% of final RF level in Vp-p)					10	ns
Enable/Disable Function			PIN 1: High or Open, PIN 3: Enable PIN 1: Low, PIN 3: Disable			
Standard Shipping Quantity on 180 mm (7") Reel				1000		units
Lid Symbolization (in addition to Lot and/or Date Codes)			Line1: 3001 Line2: YWWS			



CAUTION: Electrostatic Sensitive Device. Observe precautions for handling.

Notes:

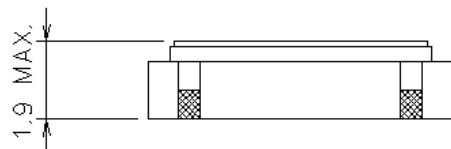
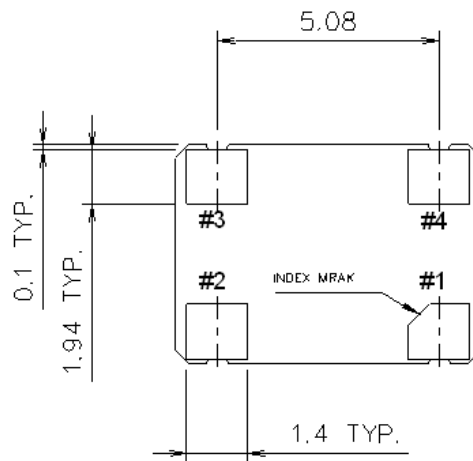
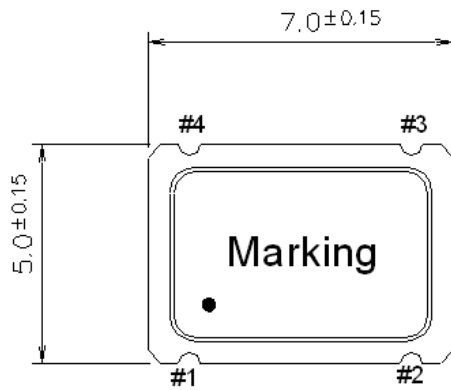
1. Frequency accuracy includes 25 °C tolerance, temperature drift over -40 to +85 °C operation, supply voltage and load variations, and aging.
2. The design, manufacturing process, and specifications of this device are subject to change without notice.



Typical Phase Noise Result

4-Terminal Surface Mount Seam-Weld Case

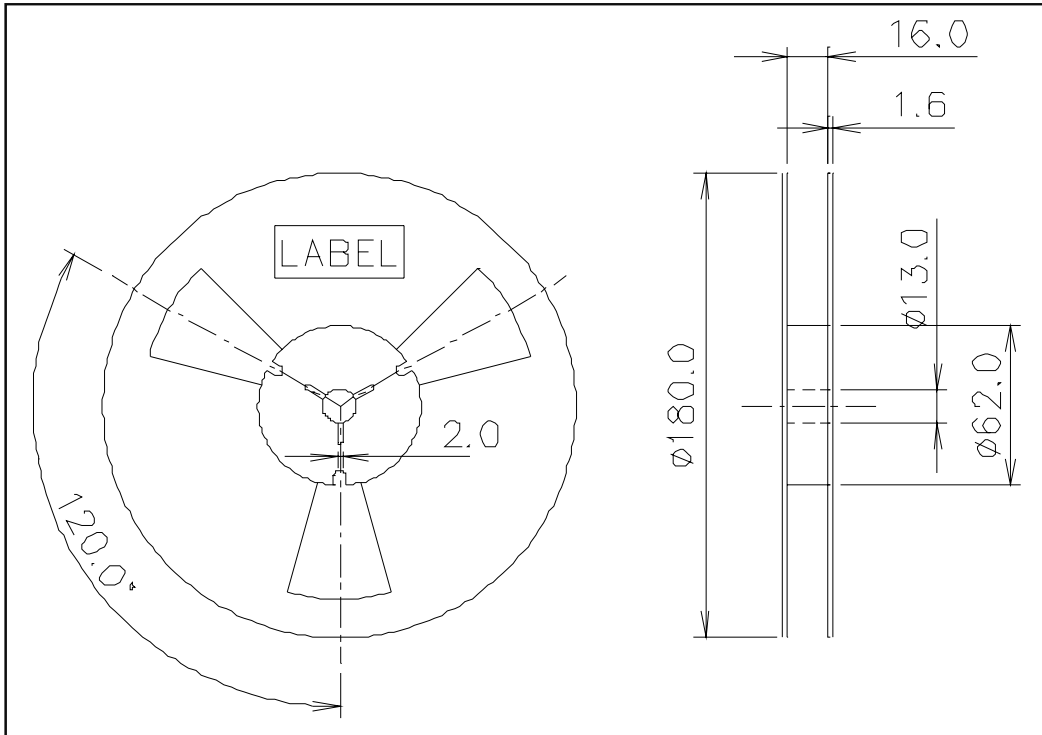
7.0 x 5.0 mm Nominal Footprint



Pin Connection

- #1 OE
- #2 GND
- #3 Output
- #4 VDD

Reel Dimensions in mm (7" nominal diameter)



Tape Dimensions in mm

