

FEATURES

- **±500mA Minimum Output Current**
- **Independent Adjustment of Source and Sink Current Limits**
- **1% Current Limit Accuracy**
- **Improved Reactive Load Driving Stability**
- Operates with Single or Split Supplies
- Shutdown/Enable Control Input
- Open-Collector Status Flags:
 - Sink Current Limit
 - Source Current Limit
 - Thermal Shutdown
- Fail-Safe Current Limit and Thermal Shutdown
- 1.6V/μs Slew Rate
- 3.6MHz Gain-Bandwidth Product
- Specified Temperature Range: -40°C to 85°C
- Available in a 20-Lead TSSOP Package

APPLICATIONS

- Automatic Test Equipment
- Laboratory Power Supplies
- Motor Drivers
- Thermoelectric Cooler Driver

LT, LT, LTC, LTM, Linear Technology and the Linear logo are registered trademarks of Linear Technology Corporation. All other trademarks are the property of their respective owners.

DESCRIPTION

The LT[®]1970A is a ±500mA power op amp with precise externally controlled current limiting. Separate control voltages program the sourcing and sinking current limit sense thresholds with 1% accuracy. Output current may be boosted by adding external power transistors.

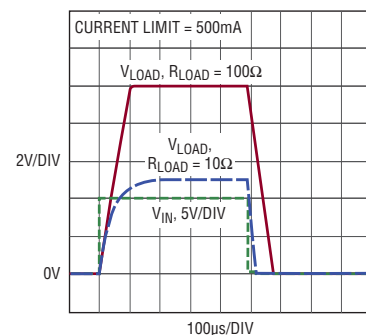
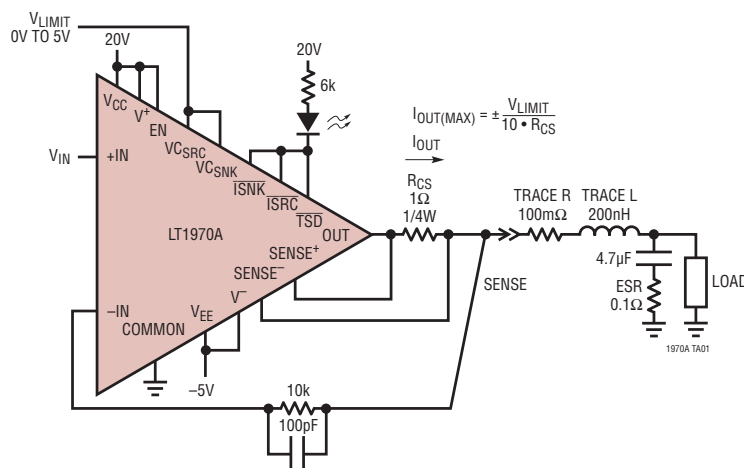
The circuit operates with single or split power supplies from 5V to 36V total supply voltage. In normal operation, the input stage supplies and the output stage supplies are connected (V_{CC} to V^+ and V_{EE} to V^-). To reduce power dissipation it is possible to power the output stage (V^+ , V^-) from independent, lower voltage rails. The amplifier is unity-gain stable with a 3.6MHz gain-bandwidth product and slews at 1.6V/μs. The LT1970A can drive capacitive and inductive loads directly.

Open-collector status flags signal current limit circuit activation, as well as thermal shutdown of the amplifier. An enable logic input puts the amplifier into a low power, high impedance output state when pulled low. Thermal shutdown and a ±800mA fixed current limit protect the chip under fault conditions.

The LT1970A is packaged in a 20-lead TSSOP package with a thermally conductive copper bottom plate to facilitate heat sinking.

TYPICAL APPLICATION

Device Power Supply (DPS) with ±500mA Adjustable Current Limit



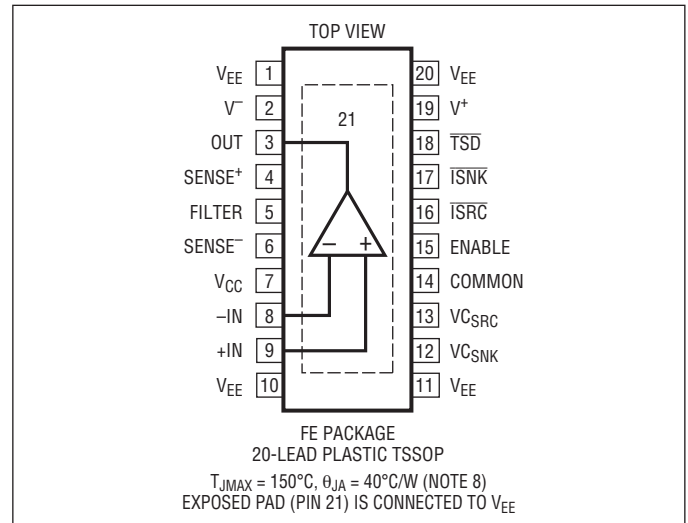
LT1970A

ABSOLUTE MAXIMUM RATINGS

(Note 1)

Supply Voltage (V_{CC} to V_{EE})	36V
Positive High Current Supply (V^+)	V^- to V_{CC}
Negative High Current Supply (V^-)	V_{EE} to V^+
Amplifier Output (OUT)	V^- to V^+
Current Sense Pins (SENSE ⁺ , SENSE ⁻ , FILTER)	V^- to V^+
Logic Outputs (ISRC, ISNK, TSD)	COMMON to V_{CC}
Input Voltage (-IN, +IN)	$V_{EE} - 0.3V$ to $V_{EE} + 36V$
Input Current	10mA
Current Control Inputs (V_{CSRC} , V_{CSNK})	COMMON to COMMON + 7V
Enable Logic Input	COMMON to V_{CC}
COMMON	V_{EE} to V_{CC}
Output Short-Circuit Duration	Indefinite
Operating Temperature Range (Note 2)	-40°C to 85°C
Specified Temperature Range (Note 3)	
LT1970AC	0°C to 70°C
LT1970AI	-40°C to 85°C
Maximum Junction Temperature	150°C
Storage Temperature Range	-65°C to 150°C
Lead Temperature (Soldering, 10 sec)	300°C

PIN CONFIGURATION



ORDER INFORMATION

LEAD FREE FINISH	TAPE AND REEL	PART MARKING*	PACKAGE DESCRIPTION	SPECIFIED TEMPERATURE RANGE
LT1970ACFE#PBF	LT1970ACFE#TRPBF	LT1970AFE	20-Lead Plastic TSSOP	0°C to 70°C
LT1970AIFE#PBF	LT1970AIFE#TRPBF	LT1970AFE	20-Lead Plastic TSSOP	-40°C to 85°C

Consult LTC Marketing for parts specified with wider operating temperature ranges. *The temperature grade is identified by a label on the shipping container. Consult LTC Marketing for information on non-standard lead based finish parts.

For more information on lead free part marking, go to: <http://www.linear.com/leadfree/>

For more information on tape and reel specifications, go to: <http://www.linear.com/tapeandreel/>

ELECTRICAL CHARACTERISTICS

The ● denotes the specifications which apply over the full operating temperature range, otherwise specifications are at $T_A = 25^{\circ}C$. See Test Circuit for standard test conditions.

SYMBOL	PARAMETER	CONDITIONS	MIN	TYP	MAX	UNITS	
Power Op Amp Characteristics							
V_{OS}	Input Offset Voltage	$0^{\circ}C < T_A < 70^{\circ}C$	●	200	600	μV	
		$-40^{\circ}C < T_A < 85^{\circ}C$	●		1000	μV	
					1300	μV	
	Input Offset Voltage Drift (Note 4)		●	-10	-4	10	$\mu V/^{\circ}C$
I_{OS}	Input Offset Current	$V_{CM} = 0V$	●	-100	100	nA	
I_B	Input Bias Current	$V_{CM} = 0V$	●	-600	-160	nA	
	Input Noise Voltage	0.1Hz to 10Hz		3		μV_{P-P}	

1970afa

ELECTRICAL CHARACTERISTICS The ● denotes the specifications which apply over the full operating temperature range, otherwise specifications are at $T_A = 25^\circ\text{C}$. See Test Circuit for standard test conditions.

SYMBOL	PARAMETER	CONDITIONS	MIN	TYP	MAX	UNITS	
e_n	Input Noise Voltage Density	1kHz		15		nV/ $\sqrt{\text{Hz}}$	
i_n	Input Noise Current Density	1kHz		3		pA/ $\sqrt{\text{Hz}}$	
R_{IN}	Input Resistance	Common Mode Differential Mode		500 100		k Ω k Ω	
C_{IN}	Input Capacitance	Pin 8 and Pin 9 to Ground		6		pF	
V_{CM}	Input Voltage Range	Typical Guaranteed by CMRR Test	● -14.5 -12.0		13.6 12.0	V V	
CMRR	Common Mode Rejection Ratio	-12V < V_{CM} < 12V	●	92	105	dB	
PSRR	Power Supply Rejection Ratio	$V_{EE} = V^- = -5\text{V}$, $V_{CC} = V^+ = 3\text{V}$ to 30V $V_{EE} = V^- = -5\text{V}$, $V_{CC} = 30\text{V}$, $V^+ = 2.5\text{V}$ to 30V $V_{EE} = V^- = -3\text{V}$ to -30V, $V_{CC} = V^+ = 5\text{V}$ $V_{EE} = -30\text{V}$, $V^- = -2.5\text{V}$ to -30V, $V_{CC} = V^+ = 5\text{V}$	● ● ● ●	90 110 90 110	100 130 100 130	dB dB dB dB	
A_{VOL}	Large-Signal Voltage Gain	$R_L = 1\text{k}$, -12.5V < V_{OUT} < 12.5V $R_L = 100\Omega$, -12.5V < V_{OUT} < 12.5V $R_L = 10\Omega$, -5V < V_{OUT} < 5V, $V^+ = -V^- = 8\text{V}$	● ● ●	100 75 80 40 20 5	150	V/mV V/mV V/mV V/mV	
V_{OL}	Output Sat Voltage Low	$V_{OL} = V_{OUT} - V^-$ $R_L = 100$, $V_{CC} = V^+ = 15\text{V}$, $V_{EE} = V^- = -15\text{V}$ $R_L = 10$, $V_{CC} = -V_{EE} = 15\text{V}$, $V^+ = -V^- = 5\text{V}$	●	1.9 0.8	2.5	V V	
V_{OH}	Output Sat Voltage High	$V_{OH} = V^+ - V_{OUT}$ $R_L = 100$, $V_{CC} = V^+ = 15\text{V}$, $V_{EE} = V^- = -15\text{V}$ $R_L = 10$, $V_{CC} = -V_{EE} = 15\text{V}$, $V^+ = -V^- = 5\text{V}$	●	1.7 1.0	2.3	V V	
I_{SC}	Output Short-Circuit Current	Output Low, $R_{SENSE} = 0\Omega$ Output High, $R_{SENSE} = 0\Omega$		500 -1000	800 -800	1200 -500	mA mA
SR	Slew Rate	-10V < V_{OUT} < 10V, $R_L = 1\text{k}$		0.7	1.6	V/ μs	
FPBW	Full Power Bandwidth	$V_{OUT} = 10V_{PEAK}$ (Note 5)		11		kHz	
GBW	Gain-Bandwidth Product	f = 10kHz		3.6		MHz	
t_s	Settling Time	0.01%, $V_{OUT} = 0\text{V}$ to 10V, $A_V = -1$, $R_L = 1\text{k}$		8		μs	

Current Sense Characteristics

$V_{SENSE(MIN)}$	Minimum Current Sense Voltage	$V_{CSRC} = V_{CSNK} = 0\text{V}$	●	0.1 0.1	4	7 10	mV mV
$V_{SENSE(4\%)}$	Current Sense Voltage 4% of Full Scale	$V_{CSRC} = V_{CSNK} = 0.2\text{V}$	●	15	20	25	mV
$V_{SENSE(10\%)}$	Current Sense Voltage 10% of Full Scale	$V_{CSRC} = V_{CSNK} = 0.5\text{V}$	●	45	50	55	mV
$V_{SENSE(FS)}$	Current Sense Voltage 100% of Full Scale	$V_{CSRC} = V_{CSNK} = 5\text{V}$	●	495 480	500	505 520	mV mV
I_{BI}	Current Limit Control Input Bias Current	V_{CSRC} , V_{CSNK} Pins	●	-1	-0.2	0.1	μA
I_{SENSE^-}	SENSE ⁻ Input Current	0V < (V_{CSRC} , V_{CSNK}) < 5V	●	-500		500	nA
I_{FILTER}	FILTER Input Current	0V < (V_{CSRC} , V_{CSNK}) < 5V	●	-500		500	nA
I_{SENSE^+}	SENSE ⁺ Input Current	$V_{CSRC} = V_{CSNK} = 0\text{V}$ $V_{CSRC} = 5\text{V}$, $V_{CSNK} = 0\text{V}$ $V_{CSRC} = 0\text{V}$, $V_{CSNK} = 5\text{V}$ $V_{CSRC} = V_{CSNK} = 5\text{V}$	● ● ● ●	-500 200 -300 -25	250	500 300 -200 25	nA μA μA μA
	Current Sense Change with Output Voltage	$V_{CSRC} = V_{CSNK} = 5\text{V}$, -12.5V < V_{OUT} < 12.5V			±0.1		%
	Current Sense Change with Supply Voltage	$V_{CSRC} = V_{CSNK} = 5\text{V}$, 6V < (V_{CC} , V^+) < 18V 2.5V < V^+ < 18V, $V_{CC} = 18\text{V}$ -18V < (V_{EE} , V^-) < -2.5V -18V < V^- < -2.5V, $V_{EE} = -18\text{V}$			±0.05 ±0.01 ±0.05 ±0.01		% % % %

LT1970A

ELECTRICAL CHARACTERISTICS

The ● denotes the specifications which apply over the full operating temperature range, otherwise specifications are at $T_A = 25^\circ\text{C}$. See Test Circuit for standard test conditions.

SYMBOL	PARAMETER	CONDITIONS	MIN	TYP	MAX	UNITS	
	Current Sense Bandwidth			2		MHz	
R_{CSF}	Resistance FILTER to SENSE ⁻		●	750	1000	1250	Ω
Logic I/O Characteristics							
	Logic Output Leakage \overline{ISRC} , \overline{ISNK} , \overline{TSD}	$V = 15\text{V}$	●		1	μA	
	Logic Low Output Level	$I = 5\text{mA}$ (Note 6)	●	0.2	0.4	V	
	Logic Output Current Limit			25		mA	
V_{ENABLE}	Enable Logic Threshold		●	0.8	1.9	2.5	V
I_{ENABLE}	Enable Pin Bias Current		●	-1	1	μA	
I_{SUPPLY}	Total Supply Current	V_{CC} , V^+ and V^- , V_{EE} Connected	●	7	13	mA	
I_{CC}	V_{CC} Supply Current	V_{CC} , V^+ and V^- , V_{EE} Separate	●	3	7	mA	
$I_{CC}(\text{STBY})$	Supply Current Disabled	V_{CC} , V^+ and V^- , V_{EE} Connected, $V_{ENABLE} \leq 0.8\text{V}$	●	0.6	1.5	mA	
t_{ON}	Turn-On Delay	(Note 7)		10		μs	
t_{OFF}	Turn-Off Delay	(Note 7)		10		μs	

Note 1: Stresses beyond those listed under Absolute Maximum Ratings may cause permanent damage to the device. Exposure to any Absolute Maximum Rating condition for extended periods may affect device reliability and lifetime.

Note 2: The LT1970AC is guaranteed functional over the operating temperature range of -40°C and 85°C .

Note 3: The LT1970AC is guaranteed to meet specified performance from 0°C to 70°C . The LT1970AC is designed, characterized and expected to meet specified performance from -40°C to 85°C but is not tested or QA sampled at these temperatures. The LT1970AI is guaranteed to meet specified performance from -40°C to 85°C .

Note 4: This parameter is not 100% tested.

Note 5: Full power bandwidth is calculated from slew rate measurements: $\text{FPBW} = \text{SR}/(2 \cdot \pi \cdot V_P)$

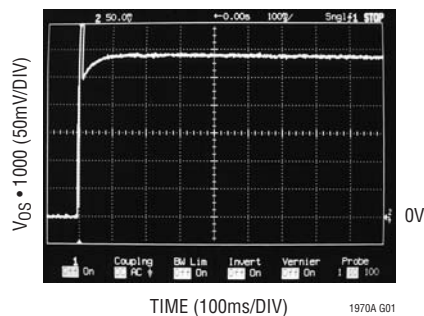
Note 6: The logic low output level of pin \overline{TSD} is guaranteed by correlating the output level of pin \overline{ISRC} and pin \overline{ISNK} over temperature.

Note 7: Turn-on and turn-off delay are measured from V_{ENABLE} crossing 1.6V to the OUT pin at 90% of normal output voltage.

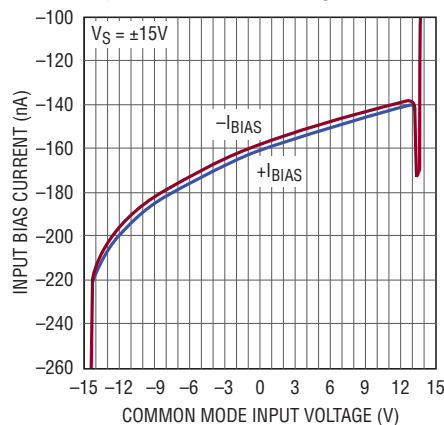
Note 8: Thermal resistance varies depending upon the amount of PC board metal attached to the device. If the maximum dissipation of the package is exceeded, the device will go into thermal shutdown and be protected.

TYPICAL PERFORMANCE CHARACTERISTICS

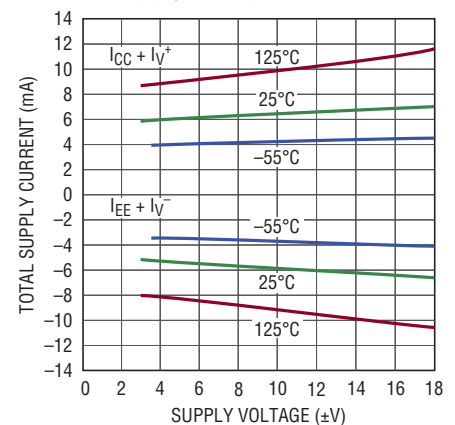
Warm-Up Drift V_{IO} vs Time



Input Bias Current vs V_{CM}

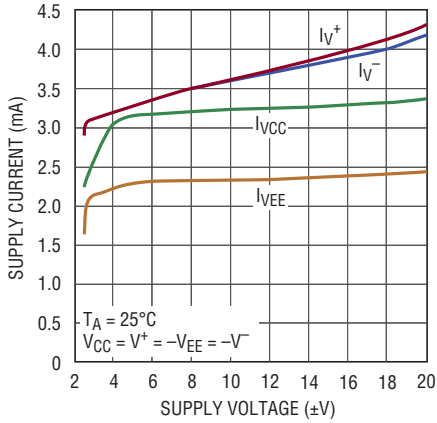


Total Supply Current vs Supply Voltage



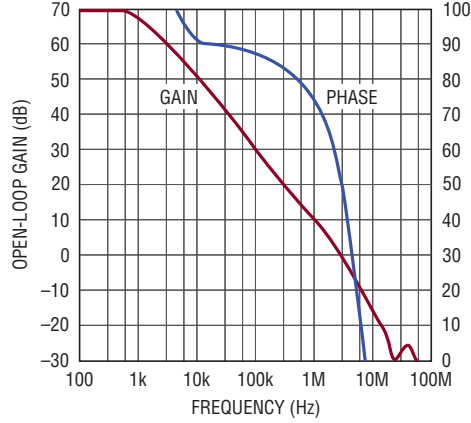
TYPICAL PERFORMANCE CHARACTERISTICS

Supply Current vs Supply Voltage



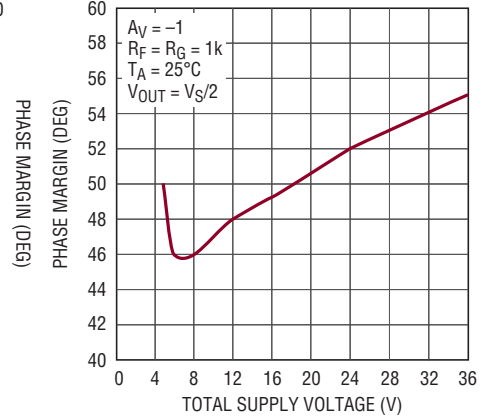
1870A G04

Open-Loop Gain and Phase vs Frequency



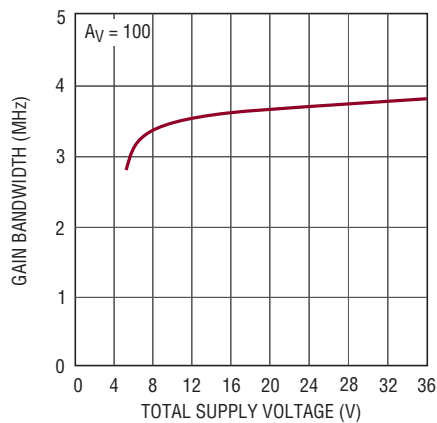
1970A G05

Phase Margin vs Supply Voltage



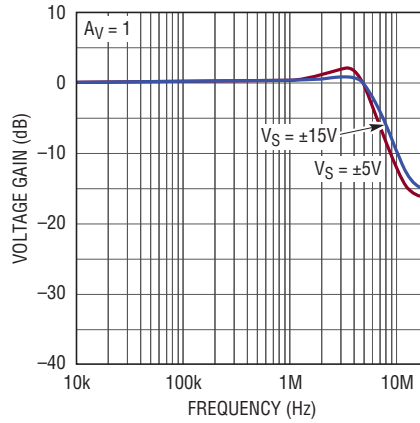
1970A G06

Gain Bandwidth vs Supply Voltage



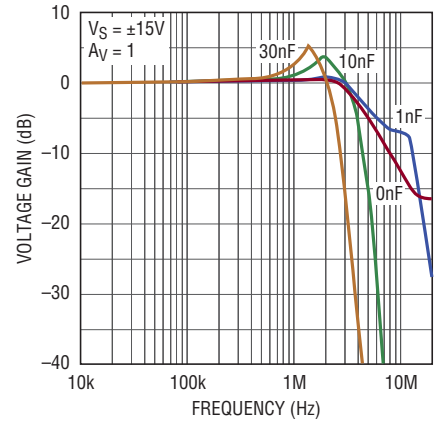
1970A G07

Gain vs Frequency



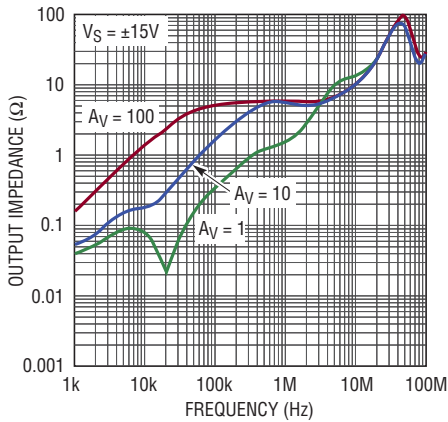
1970A G08

Gain vs Frequency with C_LOAD



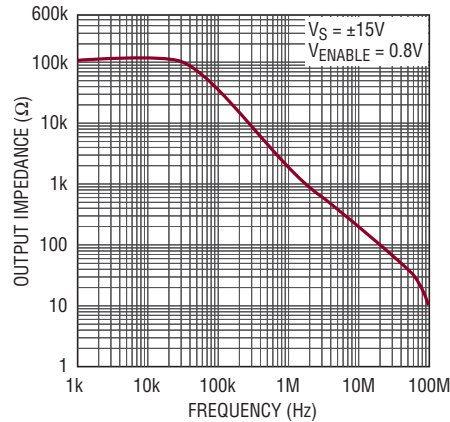
1970A G09

Output Impedance



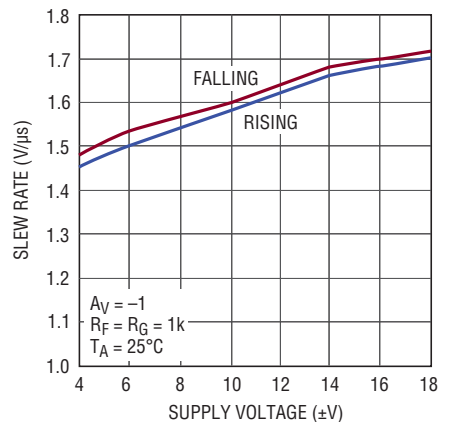
1970A G10

Disabled Output Impedance



1970A G11

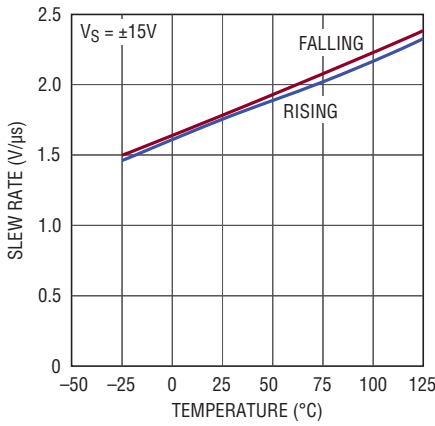
Slew Rate vs Supply Voltage



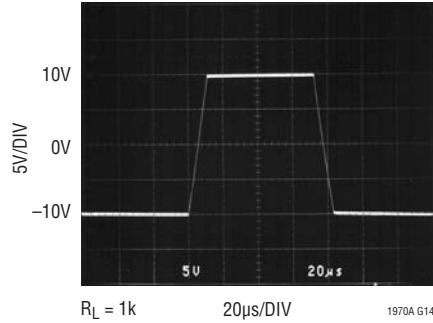
1970A G12

TYPICAL PERFORMANCE CHARACTERISTICS

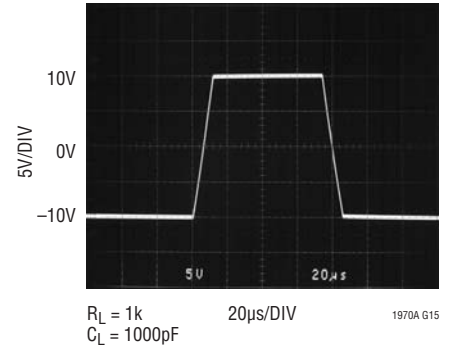
Slew Rate vs Temperature



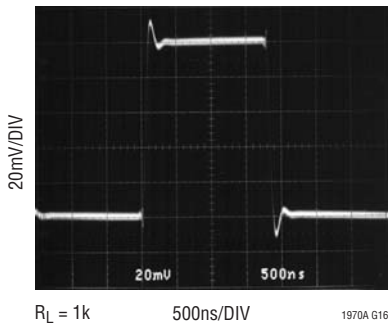
Large-Signal Response, $A_V = 1$



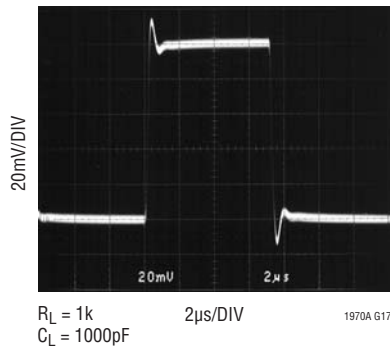
Large-Signal Response, $A_V = -1$



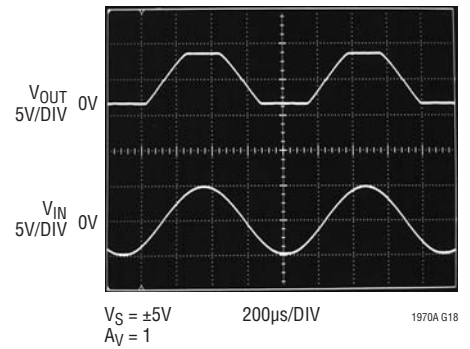
Small-Signal Response, $A_V = 1$



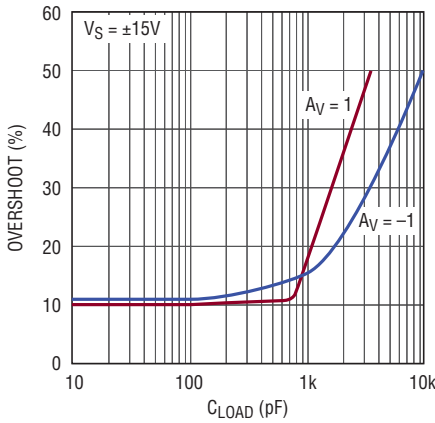
Small-Signal Response, $A_V = -1$



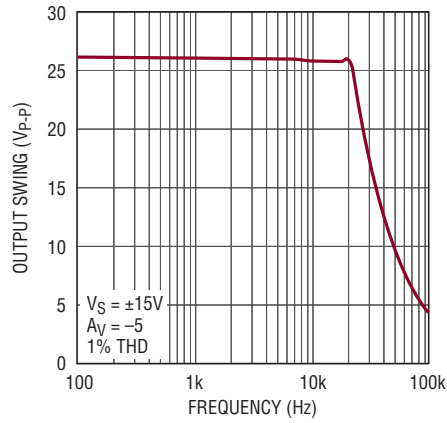
Output Overdriven



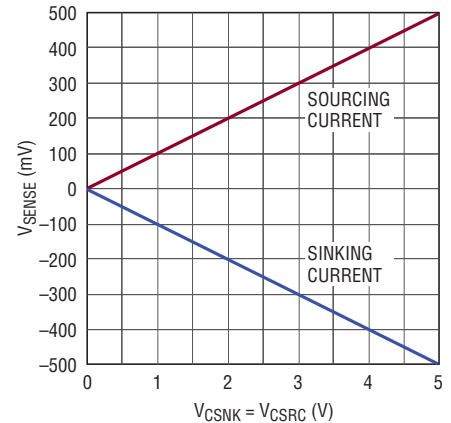
% Overshoot vs C_{LOAD}



Undistorted Output Swing vs Frequency

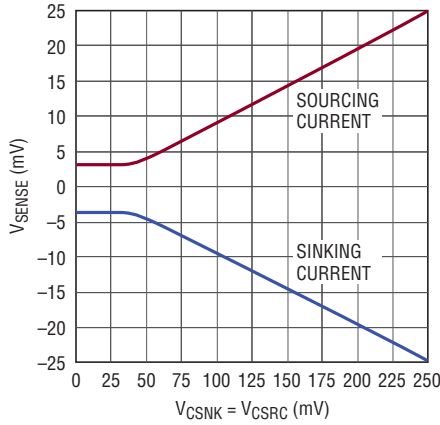


Full Range Current Sense Transfer Curve



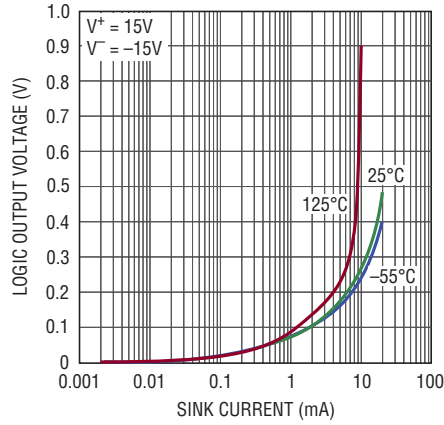
TYPICAL PERFORMANCE CHARACTERISTICS

Low Level Current Sense Transfer Curve



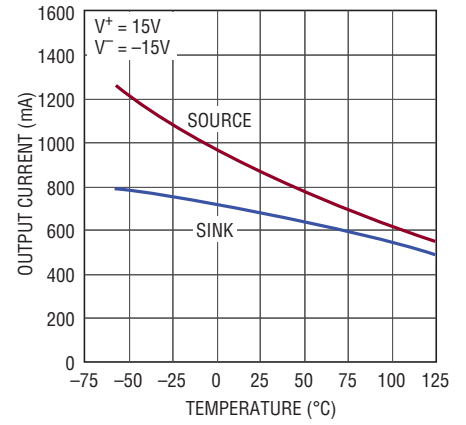
1970A G22

Logic Output Level vs Sink Current (Output Low)



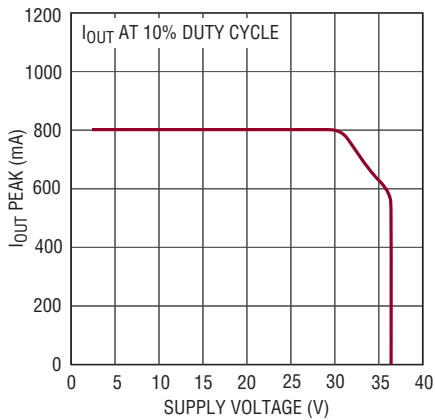
1970A G23

Maximum Output Current vs Temperature



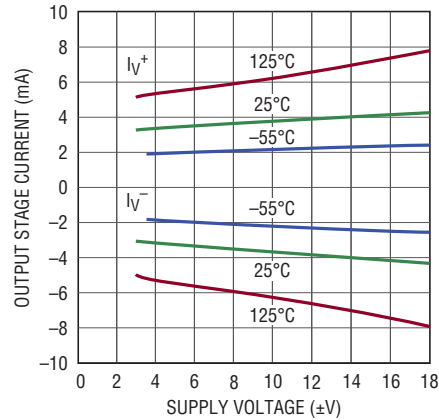
1970A G24

Safe Operating Area



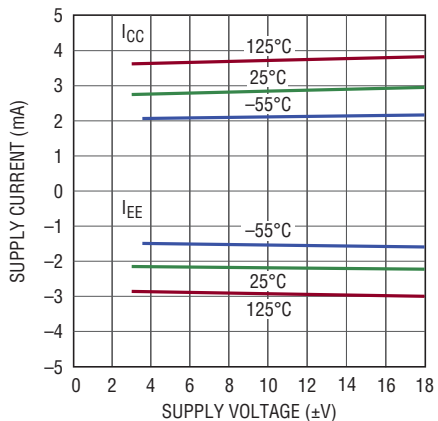
1970A G25

Output Stage Quiescent Current vs Supply Voltage



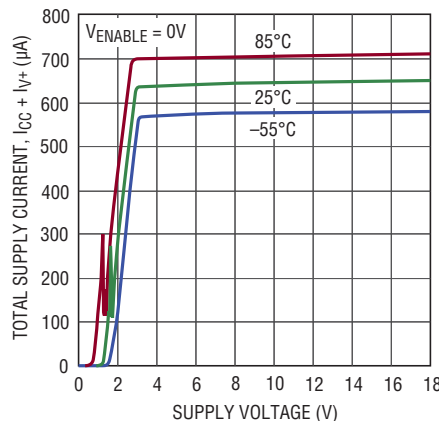
1970A G26

Control Stage Quiescent Current vs Supply Voltage



1970A G27

Supply Current vs Supply Voltage in Shutdown



1970A G28

PIN FUNCTIONS

V_{EE} (Pins 1, 10, 11, 20, 21): Minus Supply Voltage. V_{EE} connects to the substrate of the integrated circuit die, and therefore must always be the most negative voltage applied to the part. Decouple V_{EE} to ground with a low ESR capacitor. V_{EE} may be a negative voltage or it may equal ground potential. Any or all of the V_{EE} pins may be used. Unused V_{EE} pins must remain open.

V^- (Pin 2): Output Stage Negative Supply. V^- may equal V_{EE} or may be smaller in magnitude. Only output stage current flows out of V^- , all other current flows out of V_{EE} . V^- may be used to drive the base/gate of an external power device to boost the amplifier's output current to levels above the rated 500mA of the on-chip output devices. Unless used to drive boost transistors, V^- should be decoupled to ground with a low ESR capacitor.

OUT (Pin 3): Amplifier Output. The OUT pin provides the force function as part of a Kelvin sensed load connection. OUT is normally connected directly to an external load current sense resistor and the SENSE⁺ pin. Amplifier feedback is directly connected to the load and the other end of the current sense resistor. The load connection is also wired directly to the SENSE⁻ pin to monitor the load current.

The OUT pin is current limited to $\pm 800\text{mA}$ typical. This current limit protects the output transistor in the event that connections to the external sense resistor are opened or shorted which disables the precision current limit function.

SENSE⁺ (Pin 4): Positive Current Sense Pin. This lead is normally connected to the driven end of the external sense resistor. Sourcing current limit operation is activated when the voltage V_{SENSE} ($V_{\text{SENSE}^+} - V_{\text{SENSE}^-}$) equals 1/10 of the programming control voltage at V_{CSRC} (Pin 13). Sinking current limit operation is activated when the voltage V_{SENSE} equals $-1/10$ of the programming control voltage at V_{CSNK} (Pin 12).

FILTER (Pin 5): Current Sense Filter Pin. This pin is normally not used and should be left open or shorted to the SENSE⁻ pin. The FILTER pin can be used to adapt the response time of the current sense amplifiers with a 1nF to 100nF capacitor connected to the SENSE⁻ input. An internal 1k resistor sets the filter time constant.

SENSE⁻ (Pin 6): Negative Current Sense Pin. This pin is normally connected to the load end of the external sense resistor. Sourcing current limit operation is activated when the voltage V_{SENSE} ($V_{\text{SENSE}^+} - V_{\text{SENSE}^-}$) equals 1/10 of the programming control voltage at V_{CSRC} (Pin 13). Sinking current limit operation is activated when the voltage V_{SENSE} equals $-1/10$ of the programming control voltage at V_{CSNK} (Pin 12).

V_{CC} (Pin 7): Positive Supply Voltage. All circuitry except the output transistors draw power from V_{CC} . Total supply voltage from V_{CC} to V_{EE} must be between 3.5V and 36V. V_{CC} must always be greater than or equal to V^+ . V_{CC} should always be decoupled to ground with a low ESR capacitor.

-IN (Pin 8): Inverting Input of Amplifier. -IN may be any voltage from $V_{EE} - 0.3\text{V}$ to $V_{EE} + 36\text{V}$. -IN and +IN remain high impedance at all times to prevent current flow into the inputs when current limit mode is active. Care must be taken to ensure that -IN or +IN can never go to a voltage below $V_{EE} - 0.3\text{V}$ even during transient conditions or damage to the circuit may result. A Schottky diode from V_{EE} to -IN can provide clamping if other elements in the circuit can allow -IN to go below V_{EE} .

+IN (Pin 9): Noninverting Input of Amplifier. +IN may be any voltage from $V_{EE} - 0.3\text{V}$ to $V_{EE} + 36\text{V}$. -IN and +IN remain high impedance at all times to prevent current flow into the inputs when current limit mode is active. Care must be taken to ensure that -IN or +IN can never go to a voltage below $V_{EE} - 0.3\text{V}$ even during transient conditions or damage to the circuit may result. A Schottky diode from V_{EE} to +IN can provide clamping if other elements in the circuit can allow +IN to go below V_{EE} .

PIN FUNCTIONS

VC_{SNK} (Pin 12): Sink Current Limit Control Voltage Input. The current sink limit amplifier will activate when the sense voltage between SENSE⁺ and SENSE⁻ equals $-1.0 \cdot V_{VC_{SNK}}/10$. VC_{SNK} may be set between V_{COMMON} and V_{COMMON} + 6V. The transfer function between VC_{SNK} and V_{SENSE} is linear except for very small input voltages at VC_{SNK} < 60mV. V_{SENSE} limits at a minimum set point of 4mV typical to ensure that the sink and source limit amplifiers do not try to operate simultaneously. To force zero output current, the ENABLE pin can be taken low.

VC_{SRC} (Pin 13): Source Current Limit Control Voltage Input. The current source limit amplifier will activate when the sense voltage between SENSE⁺ and SENSE⁻ equals V_{VC_{SRC}}/10. VC_{SRC} may be set between V_{COMMON} and V_{COMMON} + 6V. The transfer function between VC_{SRC} and V_{SENSE} is linear except for very small input voltages at VC_{SRC} < 60mV. V_{SENSE} limits at a minimum set point of 4mV typical to ensure that the sink and source limit amplifiers do not try to operate simultaneously. To force zero output current, the ENABLE pin can be taken low.}

COMMON (Pin 14): Control and ENABLE inputs and flag outputs are referenced to the COMMON pin. COMMON may be at any potential between V_{EE} and V_{CC} - 3V. In typical applications, COMMON is connected to ground.

ENABLE (Pin 15): ENABLE Digital Input Control. When taken low this TTL-level digital input turns off the amplifier output and drops supply current to less than 1mA. Use the ENABLE pin to force zero output current. Setting VC_{SNK} = VC_{SRC} = 0V allows I_{OUT} = ±4mV/R_{SENSE} to flow in or out of V_{OUT}.

ISRC (Pin 16): Sourcing Current Limit Digital Output Flag. ISRC is an open-collector digital output. ISRC pulls low whenever the sourcing current limit amplifier assumes control of the output. This pin can sink up to 10mA of

current. The current limit flag is off when the source current limit is not active. ISRC, ISNK and TSD may be wired “OR” together if desired. ISRC may be left open if this function is not monitored.

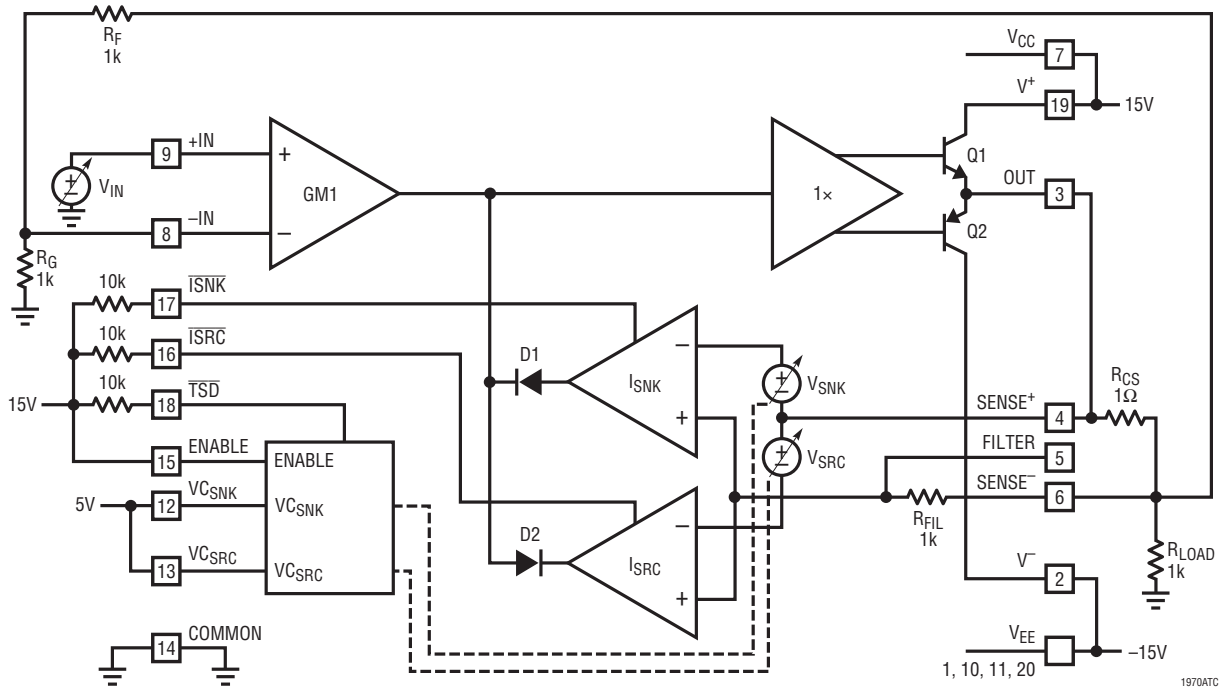
ISNK (Pin 17): Sinking Current Limit Digital Output Flag. ISNK is an open-collector digital output. ISNK pulls low whenever the sinking current limit amplifier assumes control of the output. This pin can sink up to 10mA of current. The current limit flag is off when the source current limit is not active. ISRC, ISNK and TSD may be wired “OR” together if desired. ISNK may be left open if this function is not monitored.

TSD (Pin 18): Thermal Shutdown Digital Output Flag. TSD is an open-collector digital output. TSD pulls low whenever the internal thermal shutdown circuit activates, typically at a die temperature of 160°C. This pin can sink up to 10mA of output current. The TSD flag is off when the die temperature is within normal operating temperatures. ISRC, ISNK and TSD may be wired “OR” together if desired. ISNK may be left open if this function is not monitored. Thermal shutdown activation should prompt the user to evaluate electrical loading or thermal environmental conditions.

V⁺ (Pin 19): Output Stage Positive Supply. V⁺ may equal V_{CC} or may be smaller in magnitude. Only output stage current flows through V⁺, all other current flows into V_{CC}. V⁺ may be used to drive the base/gate of an external power device to boost the amplifier’s output current to levels above the rated 500mA of the on-chip output devices. Unless used to drive boost transistors, V⁺ should be decoupled to ground with a low ESR capacitor.

Exposed Pad (Pin 21): The exposed backside of the package is electrically connected to the V_{EE} pins on the IC die. The package base should be soldered to a heat spreading pad on the PC board that is electrically connected to V_{EE}.

BLOCK DIAGRAM AND TEST CIRCUIT



APPLICATIONS INFORMATION

The LT1970A power op amp with precision controllable current limit is a flexible voltage and current source module. The drawing on the front page of this data sheet is representative of the basic application of the circuit, however many alternate uses are possible with proper understanding of the subcircuit capabilities.

a conventional manner. The output stage includes current limiting at $\pm 800\text{mA}$ to protect against fault conditions. The input stage has high differential breakdown of 36V minimum between $-IN$ and $+IN$. No current will flow at the inputs when differential input voltage is present. This feature is important when the precision current sense amplifiers “ I_{SINK} ” and “ I_{SRC} ” become active.

CIRCUIT DESCRIPTION

Main Operational Amplifier

Subcircuit block GM1, the 1X unity-gain current buffer and output transistors Q1 and Q2 form a standard operational amplifier. This amplifier has $\pm 500\text{mA}$ current output capability and a 3.6MHz gain-bandwidth product. Most applications of the LT1970A will use this op amp in the main signal path. All conventional op amp circuit configurations are supported. Inverting, noninverting, filter, summation or nonlinear circuits may be implemented in

Current Limit Amplifiers

Amplifier stages “ I_{SINK} ” and “ I_{SRC} ” are very high transconductance amplifier stages with independently controlled offset voltages. These amplifiers monitor the voltage between input pins SENSE+ and SENSE- which usually sense the voltage across a small external current sense resistor. The transconductance amplifiers outputs connect to the same high impedance node as the main input stage GM1 amplifier. Small voltage differences between SENSE+ and SENSE-, smaller than the user set $VC_{SNK}/10$

APPLICATIONS INFORMATION

and $V_{C_{SRC}}/10$ in magnitude, cause the current limit amplifiers to decouple from the signal path. This is functionally indicated by diodes D1 and D2 in the Block Diagram. When the voltage V_{SENSE} increases in magnitude sufficient to equal or overcome one of the offset voltages $V_{C_{SNK}}/10$ or $V_{C_{SRC}}/10$, the appropriate current limit amplifier becomes active and because of its very high transconductance, takes control from the input stage, GM1. The output current is regulated to a value of $I_{OUT} = V_{SENSE}/R_{SENSE} = (V_{C_{SRC}} \text{ or } V_{C_{SNK}})/(10 \cdot R_{SENSE})$. The time required for the current limit amplifiers to take control of the output is typically 4 μ s.

Linear operation of the current limit sense amplifier occurs with the inputs SENSE⁺ and SENSE⁻ ranging between $V_{CC} - 1.5V$ and $V_{EE} + 1.5V$. Most applications will connect pins SENSE⁺ and OUT together, with the load on the opposite side of the external sense resistor and pin SENSE⁻. Feedback to the inverting input of GM1 should be connected from SENSE⁻ to -IN. Ground side sensing of load current may be employed by connecting the load between pins OUT and SENSE⁺. Pin SENSE⁻ would be connected to ground in this instance. Load current would be regulated in exactly the same way as the conventional connection. However, voltage mode accuracy would be degraded in this case due to the voltage across R_{SENSE} .

Creative applications are possible where pins SENSE⁺ and SENSE⁻ monitor a parameter other than load current. The operating principle that at most one of the current limit stages may be active at one time, and that when active, the current limit stages take control of the output from GM1, can be used for many different signals.

Current Limit Threshold Control Buffers

Input pins $V_{C_{SNK}}$ and $V_{C_{SRC}}$ are used to set the response thresholds of current limit amplifiers "I_{SINK}" and "I_{SRC}". Each of these inputs may be independently driven by a voltage of 0V to 5V above the COMMON reference pin. The 0V to 5V input voltage is attenuated by a factor of 10 and applied as an offset to the appropriate current limit amplifier. AC signals may be applied to these pins. The AC bandwidth from a V_C pin to the output is typically 2MHz. For proper operation of the LT1970A, these control inputs cannot be left floating.

For low V_{CC} supply applications it is important to keep the maximum input control voltages, $V_{C_{SRC}}$ and $V_{C_{SNK}}$, at least 2.5V below the V_{CC} potential. This ensures linear control of the current limit threshold. Reducing the current limit sense resistor value allows high output current from a smaller control voltage which may be necessary if the V_{CC} supply is only 5V.

The transfer function from V_C to the associated V_{OS} is linear from about 0.1V to 5V in, or 10mV to 500mV at the current limit amplifier inputs. An intentional nonlinearity is built into the transfer functions at low levels. This nonlinearity ensures that both the sink and source limit amplifiers cannot become active simultaneously. Simultaneous activation of the limit amplifiers could result in uncontrolled outputs. As shown in the Typical Performance Characteristics curves, the control inputs have a "hockey stick" shape, to keep the minimum limit threshold at 4mV for each limit amplifier.

Figure 1 illustrates an interesting use of the current sense input pins. Here the current limit control amplifiers are used to produce a symmetrically limited output voltage swing. Instead of monitoring the output current, the output voltage is divided down by a factor of 20 and applied to the SENSE⁺ input, with the SENSE⁻ input grounded. When the threshold voltage between SENSE⁺ and SENSE⁻ ($V_{CLAMP}/10$) is reached, the current limit stage takes control of the output and clamps it a level of $\pm 2 \cdot V_{CLAMP}$. With control inputs $V_{C_{SRC}}$ and $V_{C_{SNK}}$ tied together, a single polarity input voltage sets the same + and - output limit voltage for symmetrical limiting. In this circuit the output will current limit at the built-in fail-safe level of typically 800mA.

ENABLE Control

The ENABLE input pin puts the LT1970A into a low supply current, high impedance output state. The ENABLE pin responds to TTL threshold levels with respect to the COMMON pin. Pulling the ENABLE pin low is the best way to force zero current at the output. Setting $V_{C_{SNK}} = V_{C_{SRC}} = 0V$ allows the output current to remain as high as $\pm 4mV/R_{SENSE}$.

APPLICATIONS INFORMATION

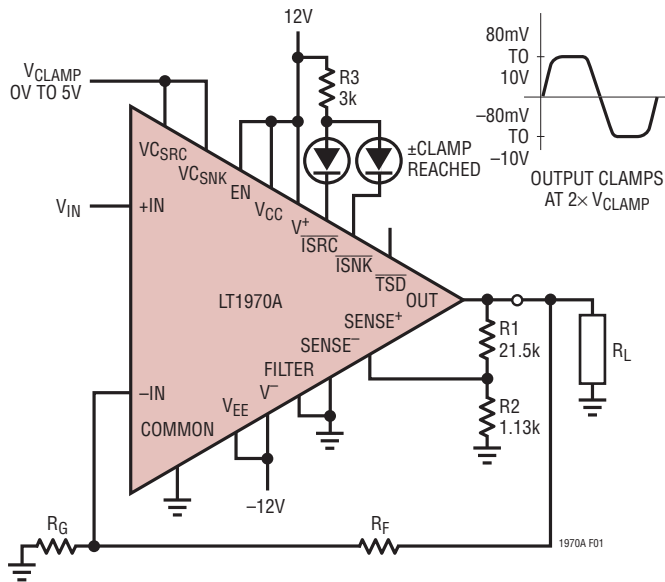


Figure 1. Symmetrical Output Voltage Limiting

In applications such as circuit testers (ATE), it may be preferable to apply a predetermined test voltage with a preset current limit to a test node simultaneously. The ENABLE pin can be used to provide this gating action as shown in Figure 2. While the LT1970A is disabled, the load is essentially floating and the input voltage and current limit control voltages can be set to produce the load test levels. Enabling the LT1970A then drives the load. The LT1970A enables and disables in just a few microseconds. The actual enable and disable times at the load are a function of the load reactance.

Operating Status Flags

The LT1970A has three digital output indicators; $\overline{\text{TSD}}$, $\overline{\text{ISRC}}$ and $\overline{\text{ISNK}}$. These outputs are open-collector drivers referred to the COMMON pin. The outputs have 36V capabilities and can sink in excess of 10mA. $\overline{\text{ISRC}}$ and $\overline{\text{ISNK}}$ indicate activation of the associated current limit amplifier. The $\overline{\text{TSD}}$ output indicates excessive die temperature has caused the circuit to enter thermal shutdown. The three digital outputs may be wire “OR’d” together, monitored individually or left open. These outputs do not affect circuit operation, but provide an indication of the present operational status of the chip.

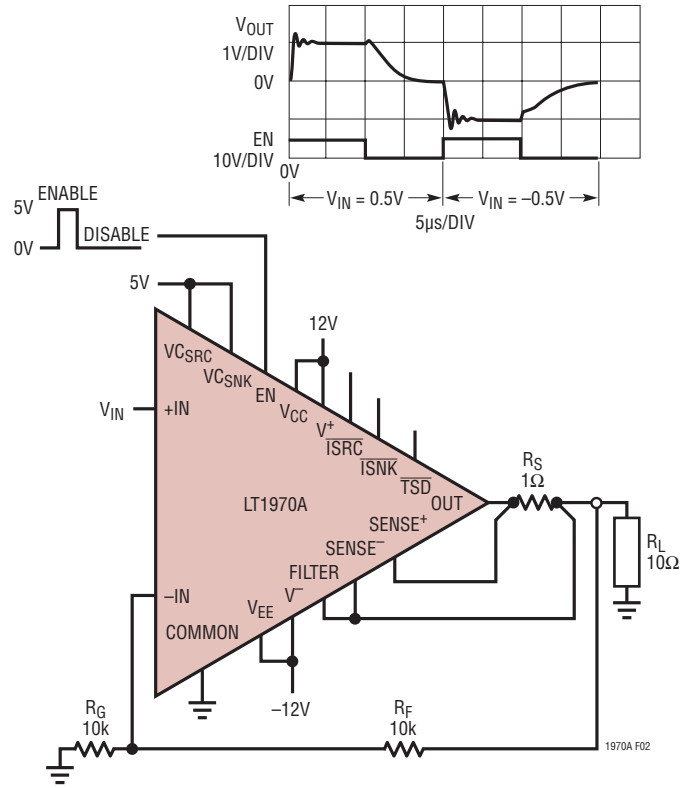


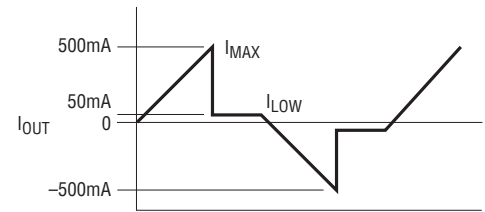
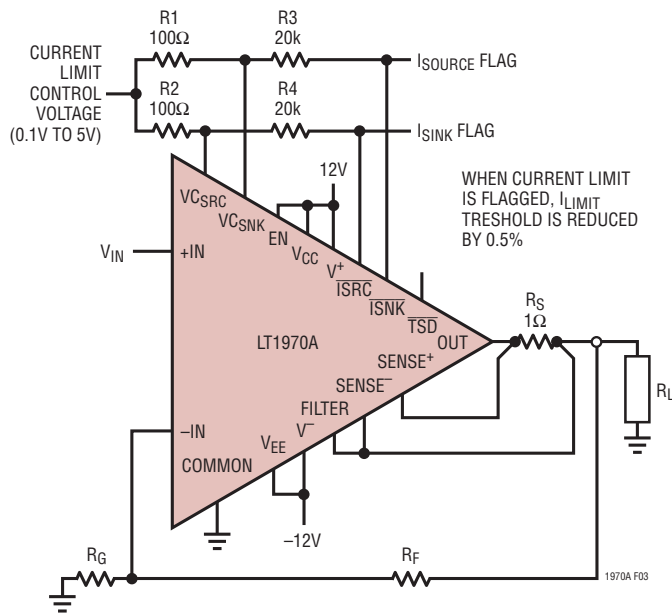
Figure 2. Using the ENABLE pin

For slow varying output signals, the assertion of a low level at the current limit output flags occurs when the current limit threshold is reached. For fast moving signals where the LT1970A output is moving at the slew limit, typically 1.6V/μs, the flag assertion can be somewhat premature at typically 75% of the actual current limit value.

The operating status flags are designed to drive LEDs to provide a visual indication of current limit and thermal conditions. As such, the transition edges to and from the active low state are not particularly sharp and may exhibit some uncertainty. Adding some positive feedback to the current limit control inputs helps to sharpen these transitions.

With the values shown in Figure 3, the current limit threshold is reduced by approximately 0.5% when either current limit status flag goes low. With sharp logic transitions, the status outputs can be used in a system control loop to take protective measures when a current limit condition is detected automatically.

APPLICATIONS INFORMATION



$$I_{MAX} \approx \frac{V_{CC} \cdot R2}{(R1 + R2) \cdot 10 \cdot R_S}$$

$$I_{LOW} \approx \frac{V_{CC} \cdot (R2 || R3)}{[R1 + (R2 || R3)] \cdot 10 \cdot R_S}$$

Figure 3. Adding Positive Feedback to Sharpen the Transition Edges of the Current Limit Status Flags

The current limit status flag can also be used to produce a dramatic change in the current limit value of the amplifier. Figure 4 illustrates a “snap-back” current limiting characteristic. In this circuit, a simple resistor network initially sets a high value of current limit (500mA). The circuit operates normally until the signal is large enough to enter current limit. When either current limit flag goes low, the current limit control voltage is reduced by a factor of 10. This then forces a low level of output current (50mA) until the signal is reduced in magnitude. When the load current drops below the lower level, the current limit is then restored to the higher value. This action is similar to a self resettable fuse that trips at dangerously high current levels and resets only when conditions are safe to do so.

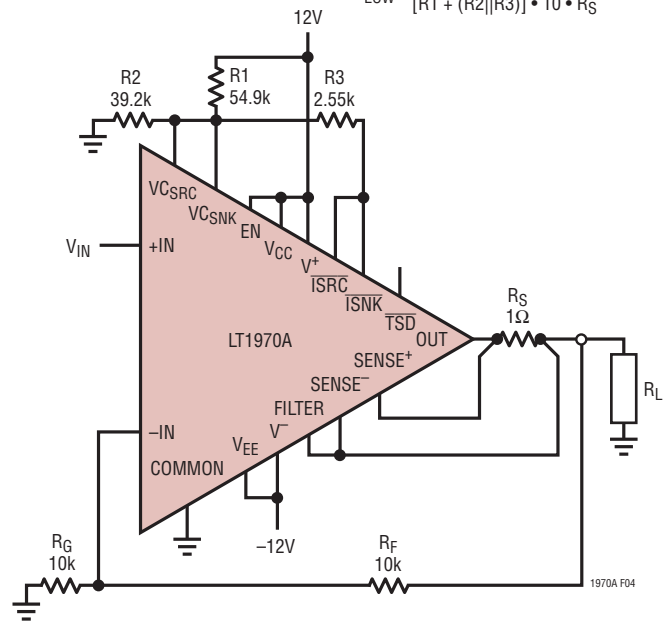


Figure 4. “Snap-Back” Current Limiting

shutdown. While the thermal shutdown feature prevents damage to the circuit, normal operation is impaired. Thermal design of the LT1970A operating environment is essential to getting maximum utility from the circuit.

The first concern for thermal management is minimizing the heat which must be dissipated. The separate power pins V^+ and V^- can be a great aid in minimizing on-chip power. The output pin can swing to within 1.0V of V^+ or V^- even under maximum output current conditions. Using separate power supplies, or voltage regulators, to set V^+ and V^- to their minimum values for the required output swing will minimize power dissipation. The supplies V_{CC} and V_{EE} may also be reduced to a minimal value, but these supply pins do not carry high currents, and the power saving is much less. V_{CC} and V_{EE} must be greater than the maximum output swing by 1.5V or more.

THERMAL MANAGEMENT

Minimizing Power Dissipation

The LT1970A can operate with up to 36V total supply voltage with output currents up to ± 500 mA. The amount of power dissipated in the chip could approach 18W under worst-case conditions. This amount of power will cause die temperature to rise until the circuit enters thermal

APPLICATIONS INFORMATION

When V^- and V^+ are provided separately from V_{CC} and V_{EE} , care must be taken to ensure that V^- and V^+ are always less than or equal to the main supplies in magnitude. Protection Schottky diodes may be required to ensure this in all cases, including power on/off transients.

Operation with reduced V^+ and V^- supplies does not affect any performance parameters except maximum output swing. All DC accuracy and AC performance specifications guaranteed with $V_{CC} = V^+$ and $V_{EE} = V^-$ are still valid with the reduced output signal swing range.

Heat Sinking

The power dissipated in the LT1970A die must have a path to the environment. With 100°C/W thermal resistance in free air with no heat sink, the package power dissipation is limited to only 1W. The 20-pin TSSOP package with exposed copper underside is an efficient heat conductor if it is effectively mounted on a PC board. Thermal resistances as low as 40°C/W can be obtained by soldering the bottom of the package to a large copper pattern on the PC board. For operation at 85°C , this allows up to 1.625W of power to be dissipated on the LT1970A. At 25°C operation, up to 3.125W of power dissipation can be achieved. The PC board heat spreading copper area must be connected to V_{EE} .

Figure 5 shows examples of PCB metal being used for heat spreading. These are provided as a reference for what might be expected when using different combinations of metal area on different layers of a PCB. These examples are with a 4-layer board using 1oz copper on each layer. The most effective layers for spreading heat are those closest to the LT1970A junction. Soldering the exposed thermal pad of the TSSOP package to the board produces a thermal resistance from junction-to-case of approximately 3°C/W .

As a minimum, the area directly beneath the package on all PCB layers can be used for heat spreading. However, limiting the area to that of the metal heat sinking pad is not very effective. Expanding the area on various layers significantly reduces the overall thermal resistance. The addition of vias (small 13 mil holes which fill during PCB

plating) connecting all layers of metal also helps reduce the operating temperature of the LT1970A. These are also shown in Figure 5.

It is important to note that the metal planes used for heat sinking are connecting electrically to V_{EE} . These planes must be isolated from any other power planes used in the PCB design.

Another effective way to control the power amplifier operating temperature is to use airflow over the board. Airflow can significantly reduce the total thermal resistance as also shown in Figure 5.

DRIVING REACTIVE LOADS











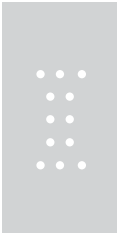

Capacitive Loads

The LT1970A is much more tolerant of capacitive loading than most operational amplifiers. In a worst-case configuration as a voltage follower, the circuit is stable for capacitive loads less than 2.5nF. Higher gain configurations improve the C_{LOAD} handling. If very large capacitive loads are to be driven, a resistive decoupling of the amplifier from the capacitive load is effective in maintaining stability and reducing peaking. The current sense resistor, usually connected between the output pin and the load can serve as a part of the decoupling resistance.

Inductive Loads

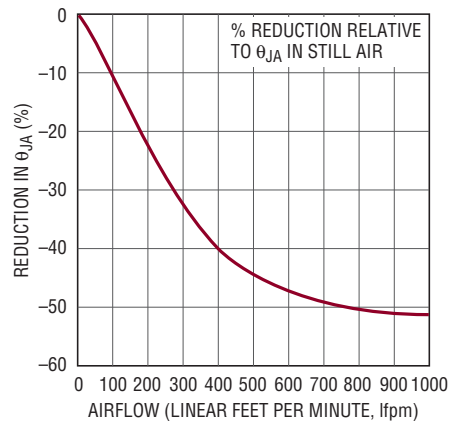
Load inductance is usually not a problem at the outputs of operational amplifiers, but the LT1970A can be used as a high output impedance current source. This condition may be the main operating mode, or when the circuit enters a protective current limit mode. Just as load capacitance degrades the phase margin of normal op amps, load inductance causes a peaking in the loop response of the feedback controlled current source. The inductive load may be caused by long lead lengths at the amplifier output. If the amplifier will be driving inductive loads or long lead lengths (greater than 4 inches) a 500pF capacitor from the $SENSE^-$ pin to the ground plane will cancel the inductive load and ensure stability.

APPLICATIONS INFORMATION

STILL AIR θ_{JA}	PACKAGE	TOP LAYER	2ND LAYER	3RD LAYER	BOTTOM LAYER
TSSOP 100°C/W					
TSSOP 50°C/W					
TSSOP 45°C/W					

1970A F05a

Typical Reduction in θ_{JA} with Laminar Airflow Over the Device



1970A F05b

Figure 5. Examples of PCB Metal Used for Heat Dissipation. Driver Package Mounted on Top Layer. Heat Sink Pad Soldered to Top Layer Metal. Metal Areas Drawn to Scale of Package Size

APPLICATIONS INFORMATION

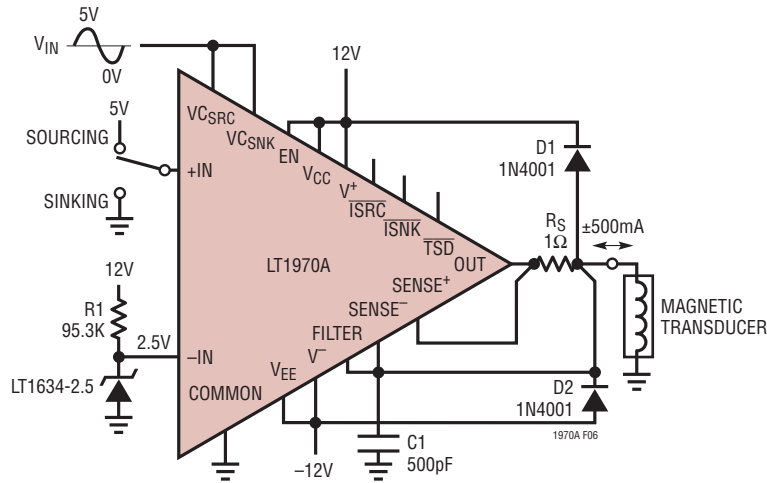


Figure 6. Current Modulation of a Magnetic Transducer

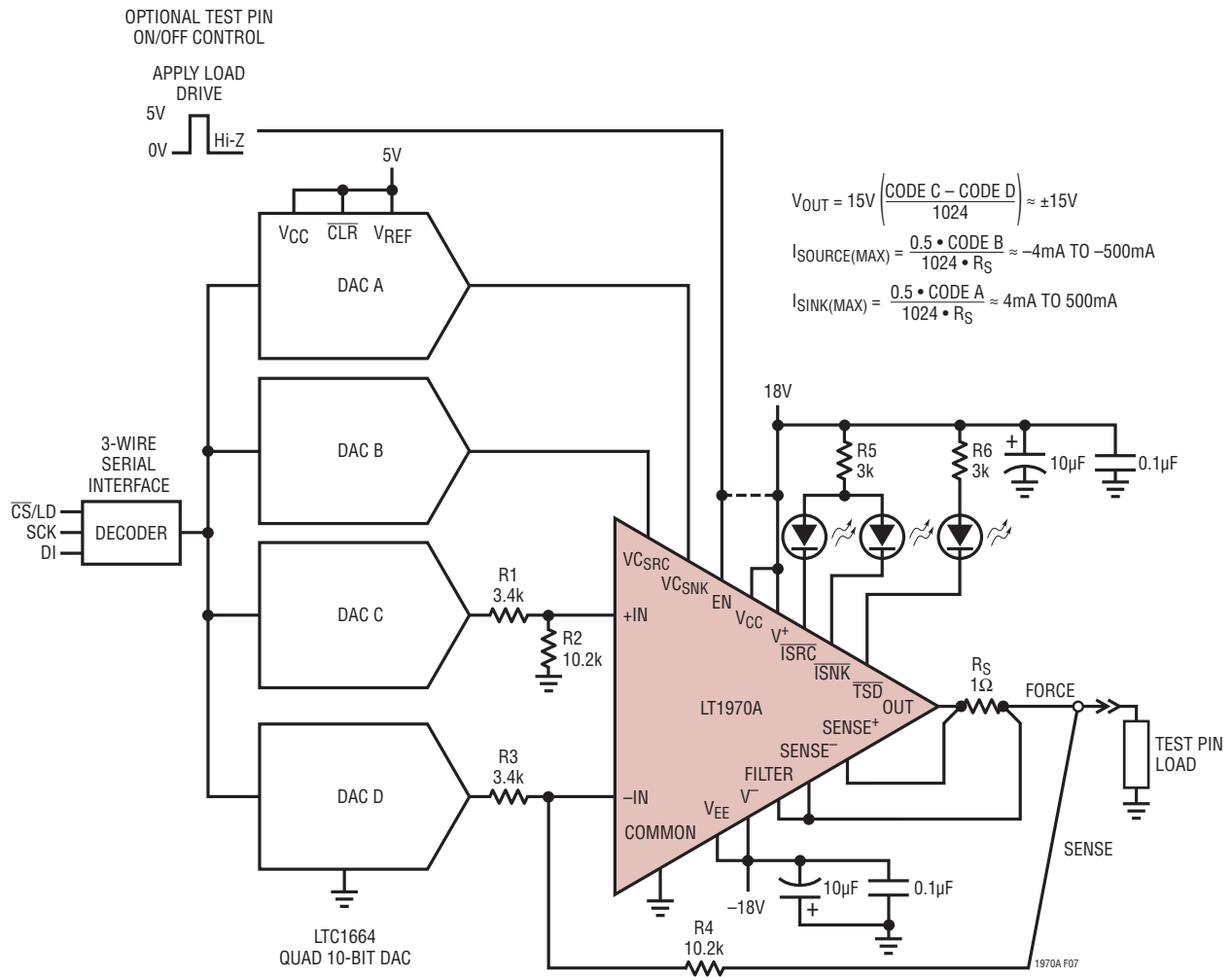


Figure 7. Digitally Controlled Analog Pin Driver

APPLICATIONS INFORMATION

Figure 6 shows the LT1970A driving an inductive load with a controlled amount of current. This load is shown as a generic magnetic transducer, which could be used to create and modulate a magnetic field. Driving the current limit control inputs directly forces a current through the load that could range up to 2MHz in modulation. Clamp diodes are added to protect the LT1970A output from large inductive flyback potentials caused by rapid di/dt changes.

Supply Bypassing

The LT1970A can supply large currents from the power supplies to a load at frequencies up to 4MHz. Power supply impedance must be kept low enough to deliver these currents without causing supply rails to droop. Low ESR capacitors, such as 0.1 μ F or 1 μ F ceramics, located close to the pins are essential in all applications. When large, high speed transient currents are present additional capacitance may be needed near the chip. Check supply rails with a scope and if signal related ripple is seen on the supply rail, increase the decoupling capacitor as needed.

To ensure proper start-up biasing of the LT1970A, it is recommended that the rate of change of the supply voltages at turn-on be limited to be no faster than 6V/ μ s.

Application Circuit Ideas

The digitally controlled analog pin driver is shown in Figure 7. All of the control signals are provided by an LTC[®]1664 quad, 10-bit DAC by way of a 3-wire serial interface. The LT1970A is configured as a simple difference amplifier with a gain of 3. This gain is required to produce ± 15 V from the 0V to 5V outputs from DACs C and D. To provide voltage headroom, the supplies for the LT1970A are set to the maximum value of ± 18 V. As ± 18 V is the absolute maximum rating of supply voltage for the LT1970A, care must be taken to not allow the supply voltage to increase. DACs A and B separately control the sinking and sourcing current limit to the load over the range of ± 4 mA to ± 500 mA. An optional on/off control for the pin driver using the ENABLE input is shown. If always enabled the ENABLE pin should be tied to V_{CC} .

In some applications it may be necessary to know what the current into the load is at any time. Figure 8 shows an

LT1787 high side current sense amplifier monitoring the current through sense resistor R_S . The LT1787 is biased from the V_{EE} supply to accommodate the common mode input range of ± 10 V. The sense resistor is scaled down to provide a 100mV maximum differential signal to the current sense amplifier to preserve linearity. The LT1880 amplifier provides gain and level shifting to produce a 0V to 5V output signal (2.5V DC ± 5 mV/mA) with up to 1kHz full-scale bandwidth. An A/D converter could then digitize this instantaneous current reading to provide digital feedback from the circuit.

The LT1970A is just as easy to use as a standard operational amplifier. Basic amplification of a precision reference voltage creates a very simple bench DC power supply as shown in Figure 9. The built-in power stage produces an adjustable 0V to 25V at 4mA to 100mA of output current. Voltage and current adjustments are derived from the LT1634-5 5V reference. The output current capability is 500mA, but this supply is restricted to 100mA for power dissipation reasons. The worst-case output voltage for maximum power dissipated in the LT1970A output stage occurs if the output is shorted to ground or set to a voltage near zero. Limiting the output current to 100mA sets the maximum power dissipation to 3W. To allow the output to range all the way to 0V, an LTC1046 charge pump inverter is used to develop a -5 V supply. This produces a negative rail for the LT1970A which has to sink only the quiescent current of the amplifier, typically 7mA.

Using a second LT1970A, a 0V to ± 12 V dual tracking power supply is shown in Figure 10. The midpoint of two 10k resistors connected between the + and – outputs is held at 0V by the LT1881 dual op amp servo feedback loop. To maintain 0V, both outputs must be equal and opposite in polarity, thus they track each other. If one output reaches current limit and drops in voltage, the other output follows to maintain a symmetrical + and – voltage across a common load. Again, the output current limit is less than the full capability of the LT1970A due to thermal reasons. Separate current limit indicators are used on each LT1970A because one output only sources current and the other only sinks current. Both devices can share the same thermal shutdown indicator, as the output flags can be OR'ed together.

APPLICATIONS INFORMATION

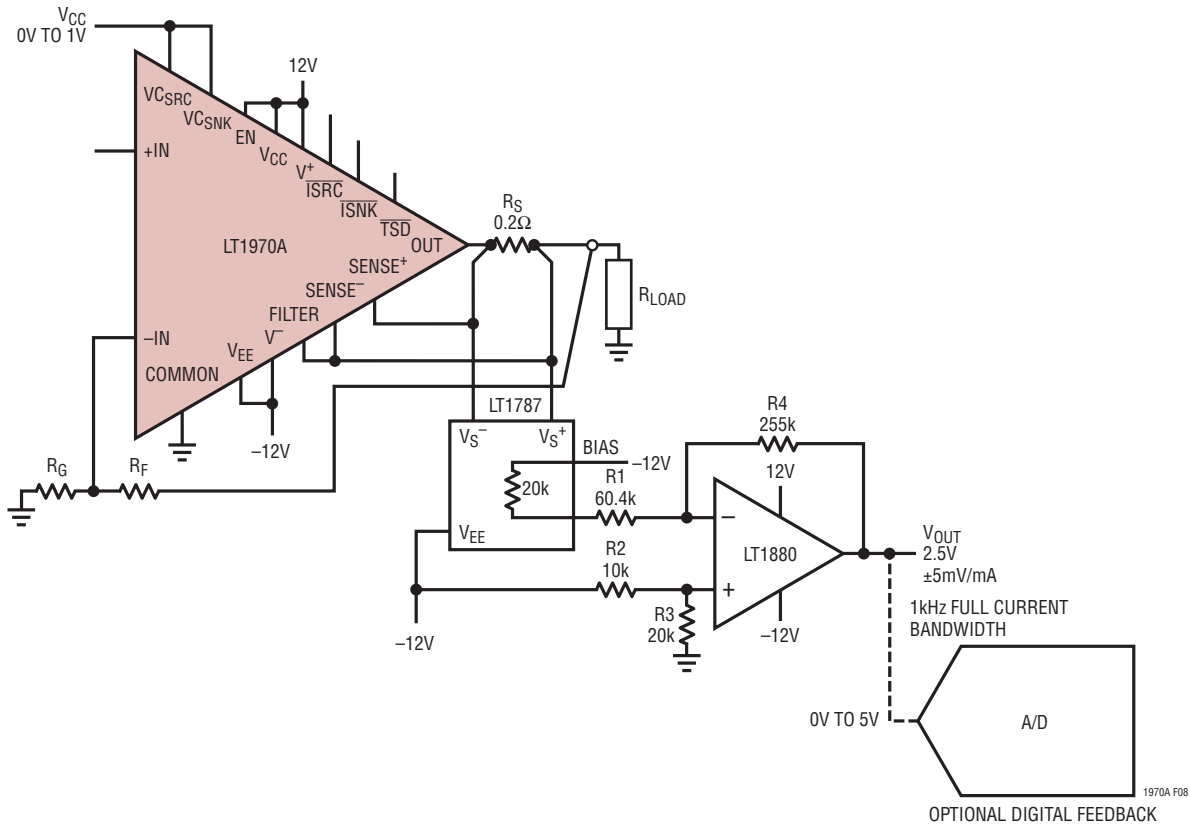


Figure 8. Sensing Output Current

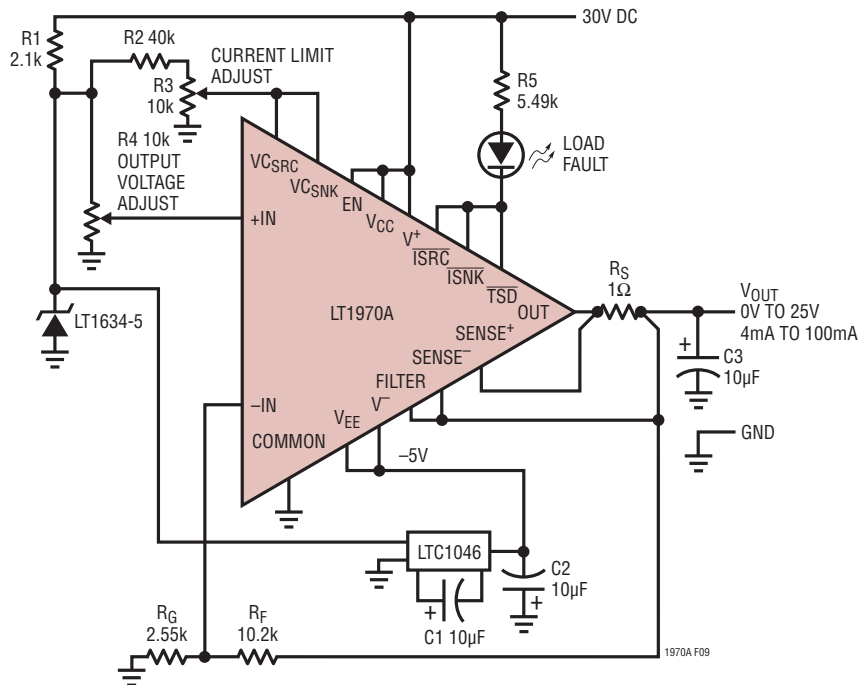


Figure 9. Simple Bench Power Supply

APPLICATIONS INFORMATION

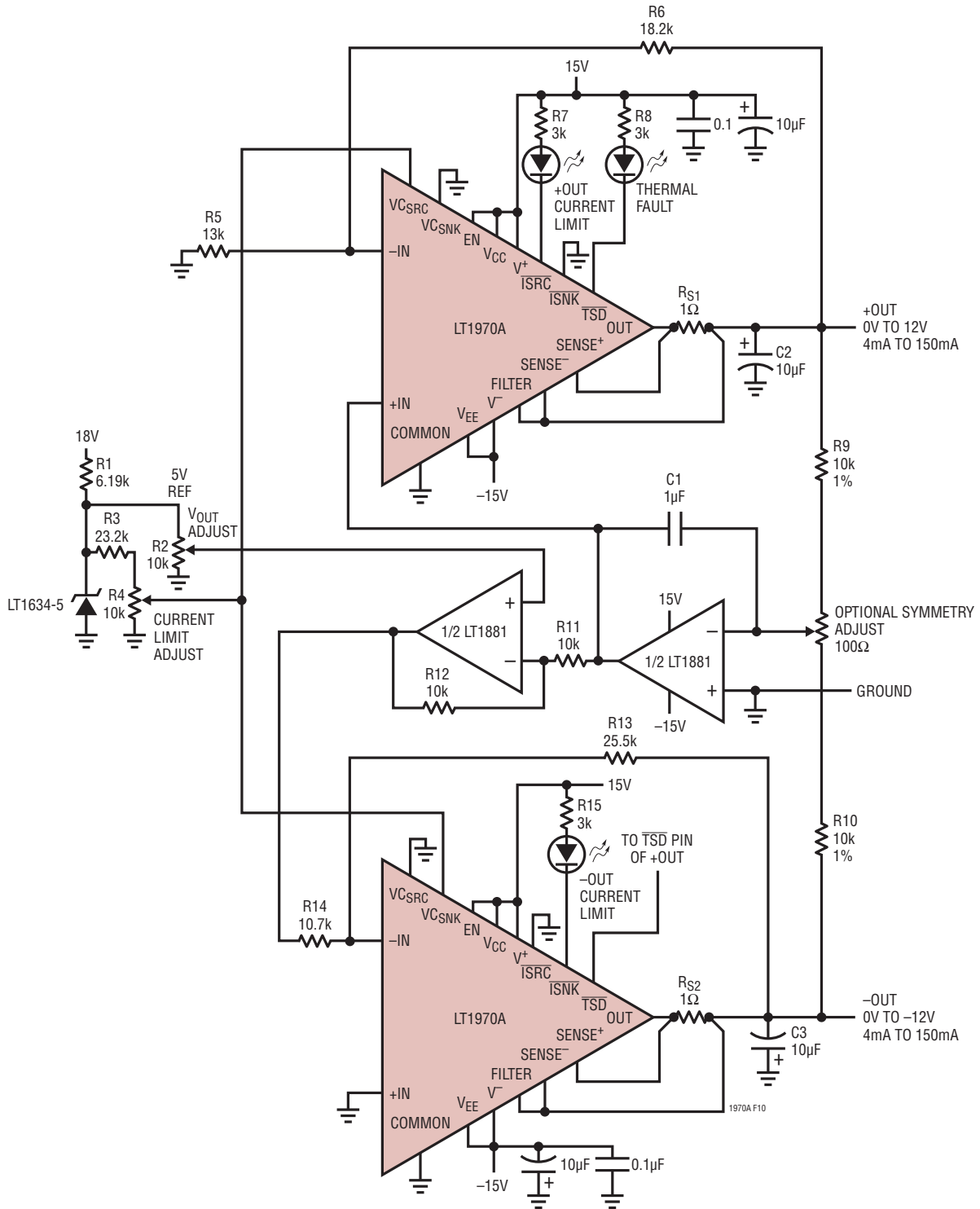


Figure 10. Dual Tracking Bench Power Supply

APPLICATIONS INFORMATION

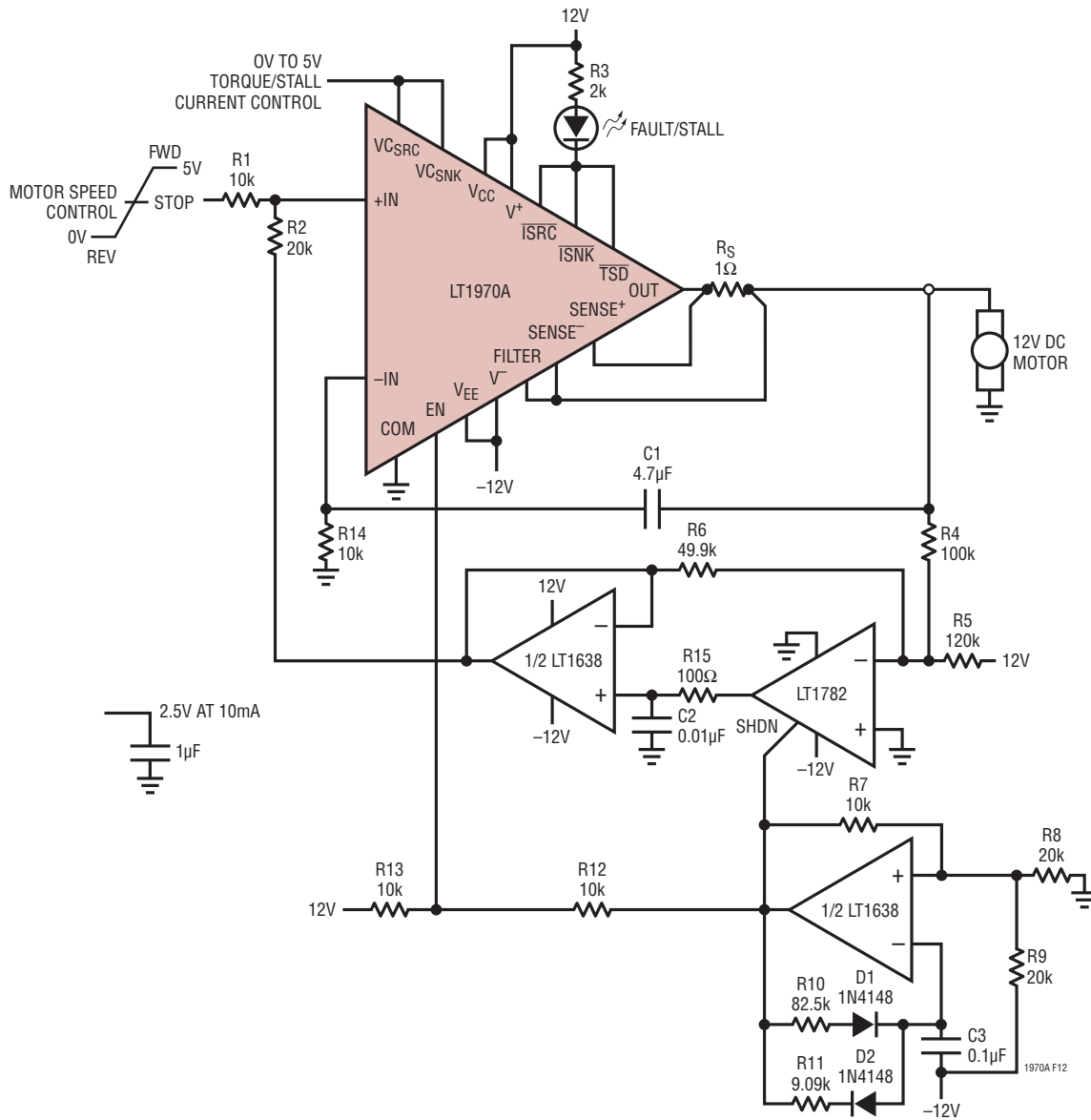
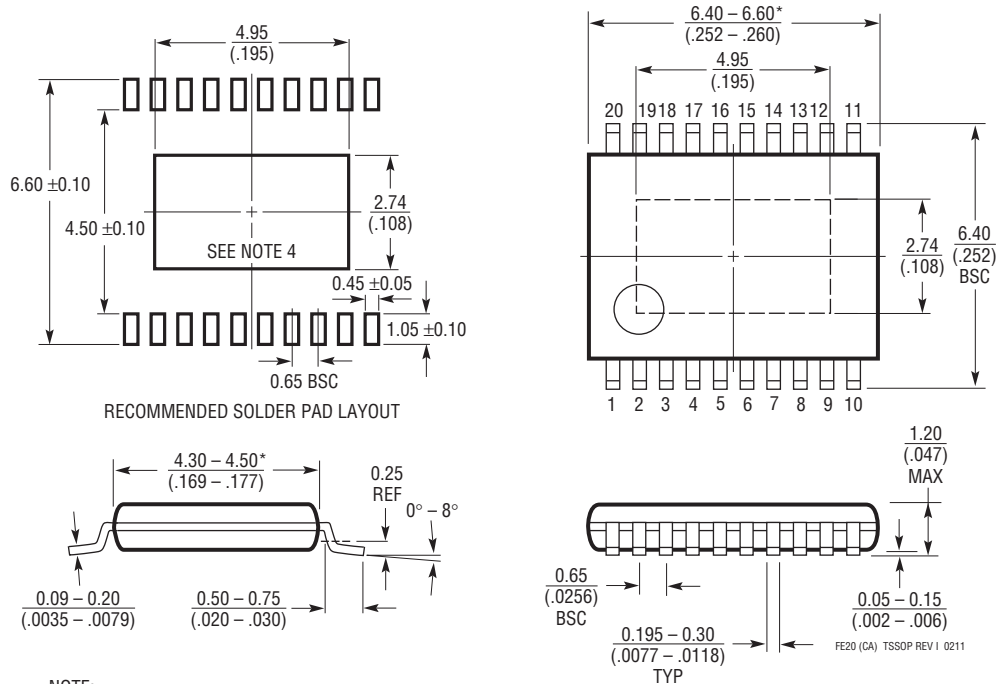


Figure 12. Simple Bidirectional DC Motor Speed Controller Without a Tachometer

PACKAGE DESCRIPTION

Please refer to <http://www.linear.com/designtools/packaging/> for the most recent package drawings.

FE Package
20-Lead Plastic TSSOP (4.4mm)
 (Reference LTC DWG # 05-08-1663 Rev I)
Exposed Pad Variation CA



- NOTE:
1. CONTROLLING DIMENSION: MILLIMETERS
 2. DIMENSIONS ARE IN $\frac{\text{MILLIMETERS}}{\text{(INCHES)}}$
 3. DRAWING NOT TO SCALE
 4. RECOMMENDED MINIMUM PCB METAL SIZE FOR EXPOSED PAD ATTACHMENT
- *DIMENSIONS DO NOT INCLUDE MOLD FLASH. MOLD FLASH SHALL NOT EXCEED 0.150mm (.006") PER SIDE

FE20 (CA) TSSOP REV I 0211

REVISION HISTORY

REV	DATE	DESCRIPTION	PAGE NUMBER
A	06/12	Corrected D1, D2 orientation in Block Diagram Changed supply voltage in Figure 12	10 21

APPLICATIONS INFORMATION

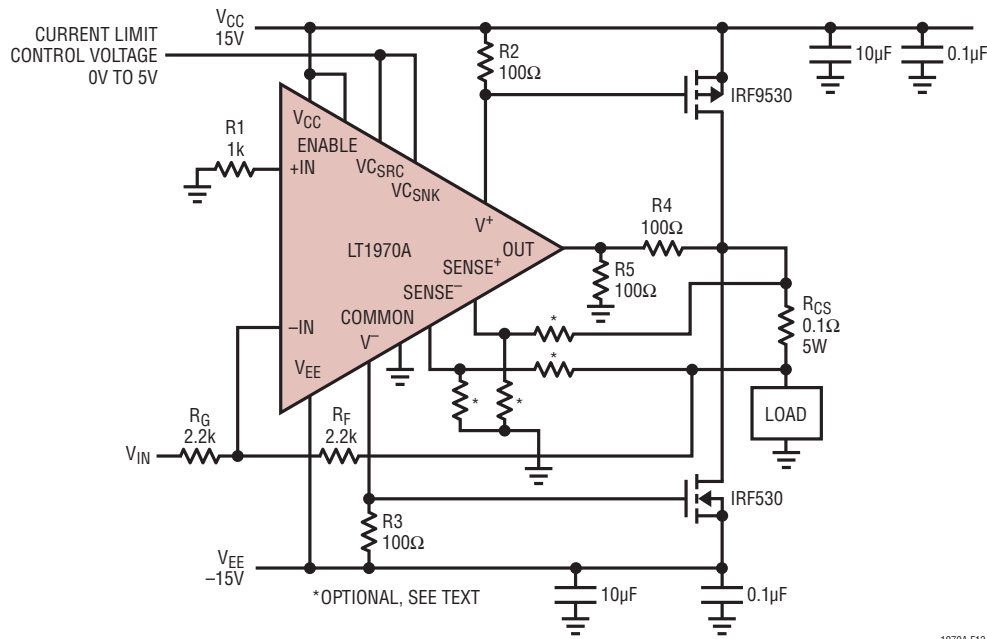


Figure 13. $A_v = -1$ Amplifier with Discrete Power Devices to Boost Output Current to 5A

RELATED PARTS

PART NUMBER	DESCRIPTION	COMMENTS
LT1010	Fast $\pm 150\text{mA}$ Power Buffer	20MHz Bandwidth, 75V/ μs Slew Rate
LT1206	250mA/60MHz Current Feedback Amplifier	Shutdown Mode, Adjustable Supply Current
LT1210	1.1A/35MHz Current Feedback Amplifier	Stable with $C_L = 10,000\text{pF}$
LT1999	High Voltage Bidirectional Current Sense Amplifier	-5V to 80V Input Voltage Range