

**P/N: VP2008 DATA SHEET****Feature**

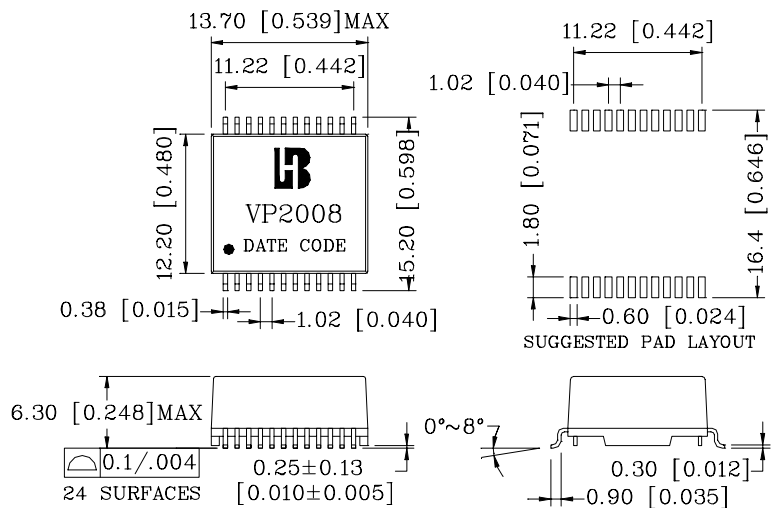
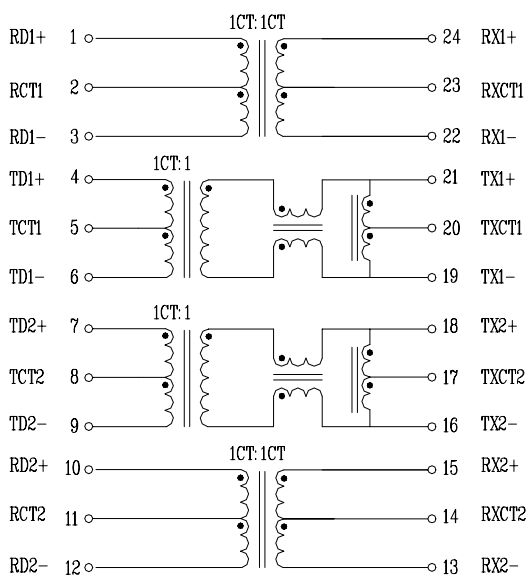
- IEEE 802.3af/ANSI X3.263 compliant performance.
- 350mA current capability.
- Designed for IP phone or switch applications.
- Compact footprint.
- Operating temperature range : 0°C to +70°C .
- Storage temperature range: -25°C to +125°C .

Electrical Specifications @ 25°C

Part Number	Turn Ratio		Cross talk (dB Min)			HI-POT (Vrms Min)
	TX	RX	30MHz	60MHz	100MHz	
VP2008	1CT:1	1CT:1CT	-43	-37	-33	1500

Continue

Part Number	Insertion Loss (dB Max)	Return Loss (dB Min)@ Load 100Ω				DCMR TX/RX (dB Min)		
		1-100MHz	1-30MHz	40MHz	50MHz	60-80MHz	30MHz	60MHz
VP2008	-1.2	-16	-14	-13	-12	-40	-35	-30

Schematic**Mechanical**

Units: mm[Inches] Tolerance: xx.x0±0.25[0.010]
0.xx±0.05[0.002]