

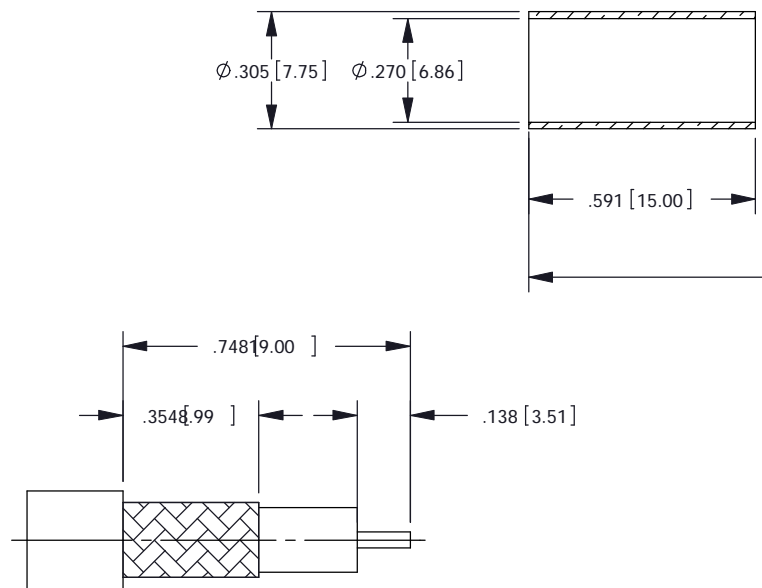
NOTES: UNLESS OTHERWISE SPECIFIED

1. FOR GENERAL SERIES SPECIFICATIONS, SEE SDPRF-206.
2. MATERIAL SPECIFICATIONS:
 BAYONET SLEEVE, BODY, CONTACT, FERRULE: BRASS PER ASTM B16
 INSULATOR: TEFLON PER ASTM D1710
 SPRING WASHER, OUTER CONTACT: BERYLLIUM COPPER, ASTM-B-194
 GASKET: SILICONE RUBBER
3. FINISH SPECIFICATIONS:
 BAYONET SLEEVE, BODY, FERRULE: .000100MIN NICKEL PER AMS-QQ-N-290
 OVER COPPER FLASH PER ASTM B734 (ROHS)

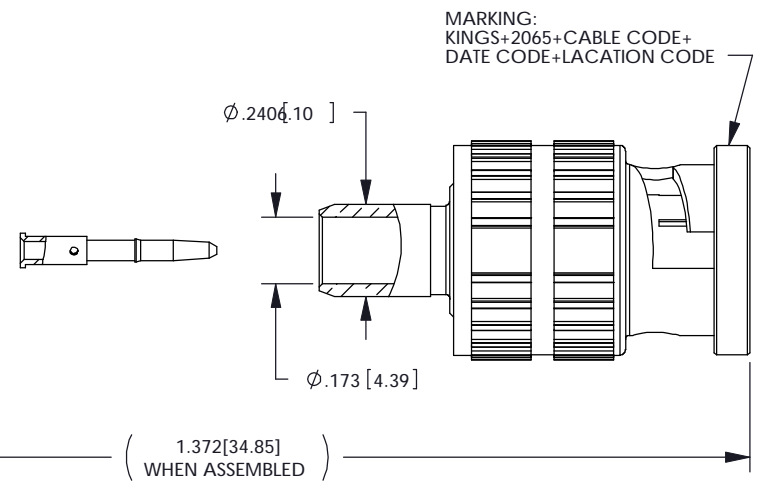
 CONTACT: .000050 MIN. GOLD PER ASTM B488, OVER NICKEL PER
 AMS-QQ-N-290 (ROHS)

 ALL OTHER METAL PARTS: .000050MIN NICKEL PER AMS-QQ-N-290
 OVER COPPER FLASH PER ASTM B734 (ROHS)
4. CONTACT AND FERRULE SHIPPED LOOSE
5. FOR USE WITH TACHII CABLE TCX-4CHD OR EQUIVALENT.
6. FOR CRIMPING USE KINGS TOOL KTH-5000 AND DIE KTH-5009(.268 HEX, .054 SQUARE FLAT)
7. ASSEMBLE TO CABLE USING CAP-E01
8. ELECTRICAL SPECIFICATIONS:
 IMPEDANCE: 75 OHMS.
 FREQUENCY RANGE: DC-3GHz.
 RETURN LOSS: 22dB MIN AT DC-3GHz.

REV	DESCRIPTION	BY DATE	APPD
B	REVISED PER ECR-ERT12110	11/17/08 HUN	CY



RECOMMENDED CABLE TRIM DIMENSIONS



CATALOG P/N: 2065-E00-4CH01N

PER ASME Y14.5M-1994 UNLESS OTHERWISE SPECIFIED: DIMENSIONS ARE IN INCHES [MM] TOLERANCES: DECIMAL: .XX [X.X] ± .01 [0.3] .XXX [X.XX] ± .005 [0.13] .XXXX [X.XXX] ± .XXXX ANGLES: ± 2° SCALE: 2:1				Winchester Electronics Corporation 62 Barnes Industrial Road North Wallingford, Connecticut 06492				
CUSTOMER DRAWING						BNC 75 OHM PLUG FOR TACHII TCX-4CHD CABLE (ROHS COMPLIANT)		
DRAWN	DATE	APPROVED	DATE	A	SD2065-E00-4CH01N	SHT 1 OF 1	REV B	
KEV	03/05/08	Dcam	03/05/08					
APPROVED	DATE	APPROVED	DATE					
RL	03/05/08	WPM	03/05/08					