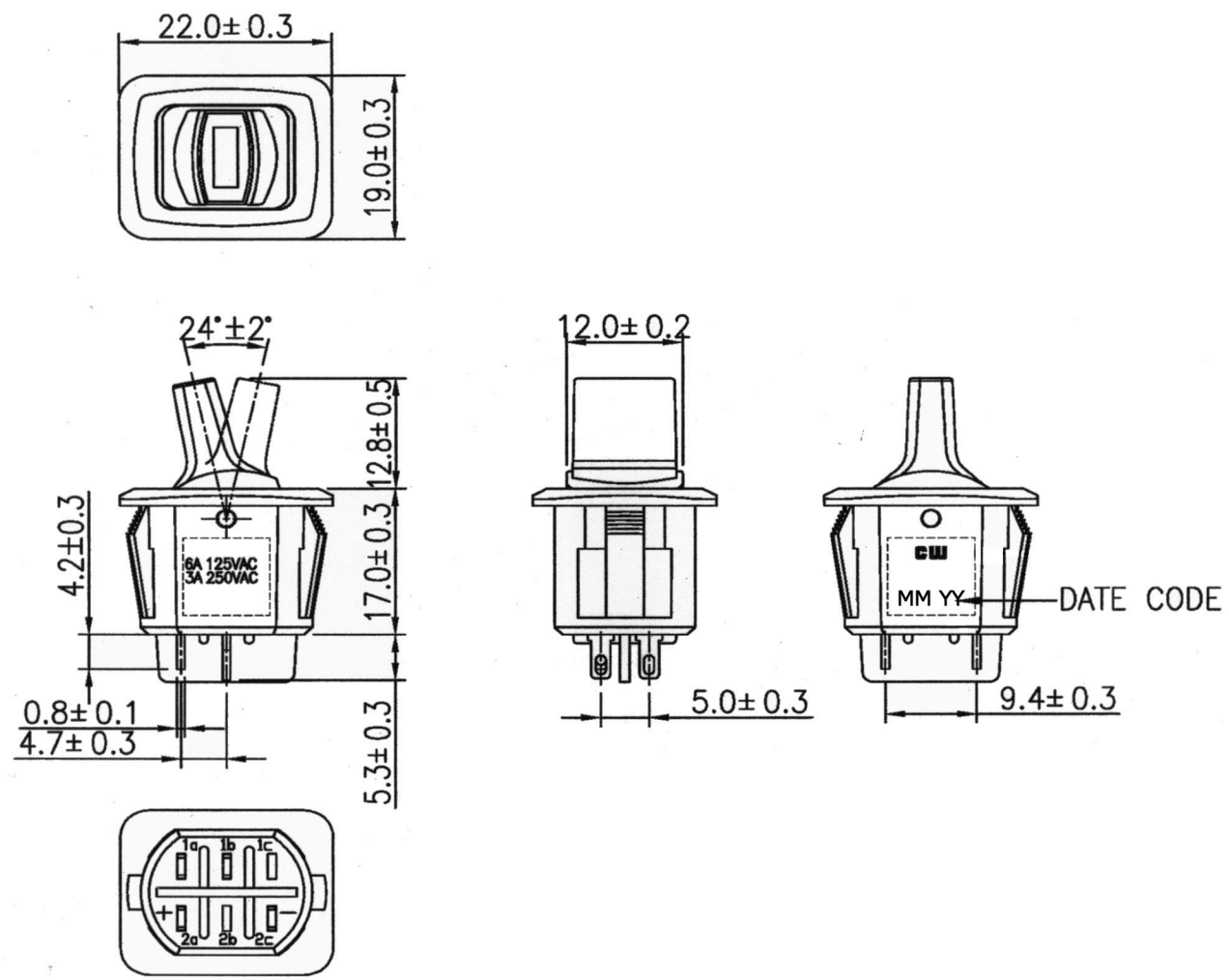


THIS INFORMATION IS CONFIDENTIAL AND PROPRIETARY TO CW INDUSTRIES INCORPORATED AND ITS AFFILIATES. IT MAY NOT BE DISCLOSED TO ANYONE, OTHER THAN CW INDUSTRIES PERSONNEL, WITHOUT WRITTEN AUTHORIZATION FROM CW INDUSTRIES INCORPORATED, SOUTHAMPTON, PENNSYLVANIA USA.

| | | | |
|-----------------------|------------------------|--------------------------|----------------------------|
| Rating | 6A 125V AC, 3A 250V AC | Mounting Hole | Circuit Diagram |
| Contact Resistance | 50m ohm max. | | |
| Insulation Resistance | DC 500V 100M ohm min. | | |
| Dielectric Strength | AC 1000V 1 minute | | |
| Operating Temperature | -25 °C ~ 85 °C | | |

Cut-Out 0.75 ~ 3.0 mm thk.
 LED Rating
 Red: @ 20mA if= 2.0 VDC

BASE COLOR: Black
 BUTTON COLOR: Black
 LED: Red



RoHS Compliant

| | | | | |
|--------------------------------------------------------------|-----------------------------|--------|-------------------------------|---------------------|
| Southampton, Pa. 18966 Tel 215.355.7080/www.cwind.com | Date Drawn: 12/21/09 | Rev. 0 | Unit: mm | Checked By: G. Guld |
| | Title: ROCKER SWITCH | | CW P/N: GRB290AL305BBR | |