

PLEASE CHECK WWW.MOLEX.COM FOR LATEST PART INFORMATION

Part Number: [0010101061](#)
Status: **Active**
Overview: [kk](#)
Description: 5.08mm (.200") Pitch KK® PC Board Connector, Right Angle Mount Style A, 1.0µm (40µ") Tin (Sn), 6 Circuits

Documents:

[3D Model](#) [Product Specification PS-99020-0087 \(PDF\)](#)
[Drawing \(PDF\)](#) [RoHS Certificate of Compliance \(PDF\)](#)

Agency Certification

CSA LR19980
 UL E29179

General

Product Family PCB Receptacles
 Series [3002](#)
 Application Board-to-Board
 Overview [kk](#)
 Product Name KK®

Physical

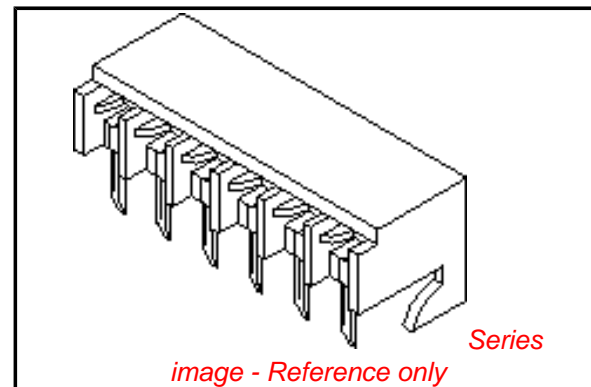
Circuits (Loaded) 6
 Color - Resin Natural
 Durability (mating cycles max) 25
 Flammability 94V-2
 Glow-Wire Compliant No
 Material - Metal Phosphor Bronze
 Material - Plating Mating Tin
 Material - Plating Termination Tin
 Material - Resin Nylon
 Number of Rows 1
 Orientation Right Angle
 PC Tail Length (in) 0.169 In
 PC Tail Length (mm) 4.30 mm
 PCB Locator No
 PCB Retention Yes
 PCB Thickness Recommended (in) 0.062 In
 PCB Thickness Recommended (mm) 1.60 mm
 Packaging Type Tray
 Pitch - Mating Interface (in) 0.200 In
 Pitch - Mating Interface (mm) 5.08 mm
 Plating min: Mating (µin) 40.00
 Plating min: Mating (µm) 1.000
 Plating min: Termination (µin) 40.00
 Plating min: Termination (µm) 1.00
 Polarized to PCB Yes
 Temperature Range - Operating 0°C to +75°C
 Termination Interface: Style Through Hole

Electrical

Current - Maximum per Contact 7A
 Voltage - Maximum 250V

Solder Process Data

Duration at Max. Process Temperature (seconds) 5
 Lead-free Process Capability Wave Capable (TH only)



EU RoHS

ELV and RoHS Compliant
REACH SVHC
 Not Reviewed
Halogen-Free Status
Not Reviewed

China RoHS



Need more information on product environmental compliance?

Email productcompliance@molex.com
 For a multiple part number RoHS Certificate of Compliance, [click here](#)

Please visit the [Contact Us](#) section for any non-product compliance questions.

Search Parts in this Series

[3002Series](#)

Mates With

[3003](#) , [2599](#) , [3008](#)

Max. Cycles at Max. Process Temperature	5
Process Temperature max. C	230

Material Info

Old Part Number	3002-06A
-----------------	----------

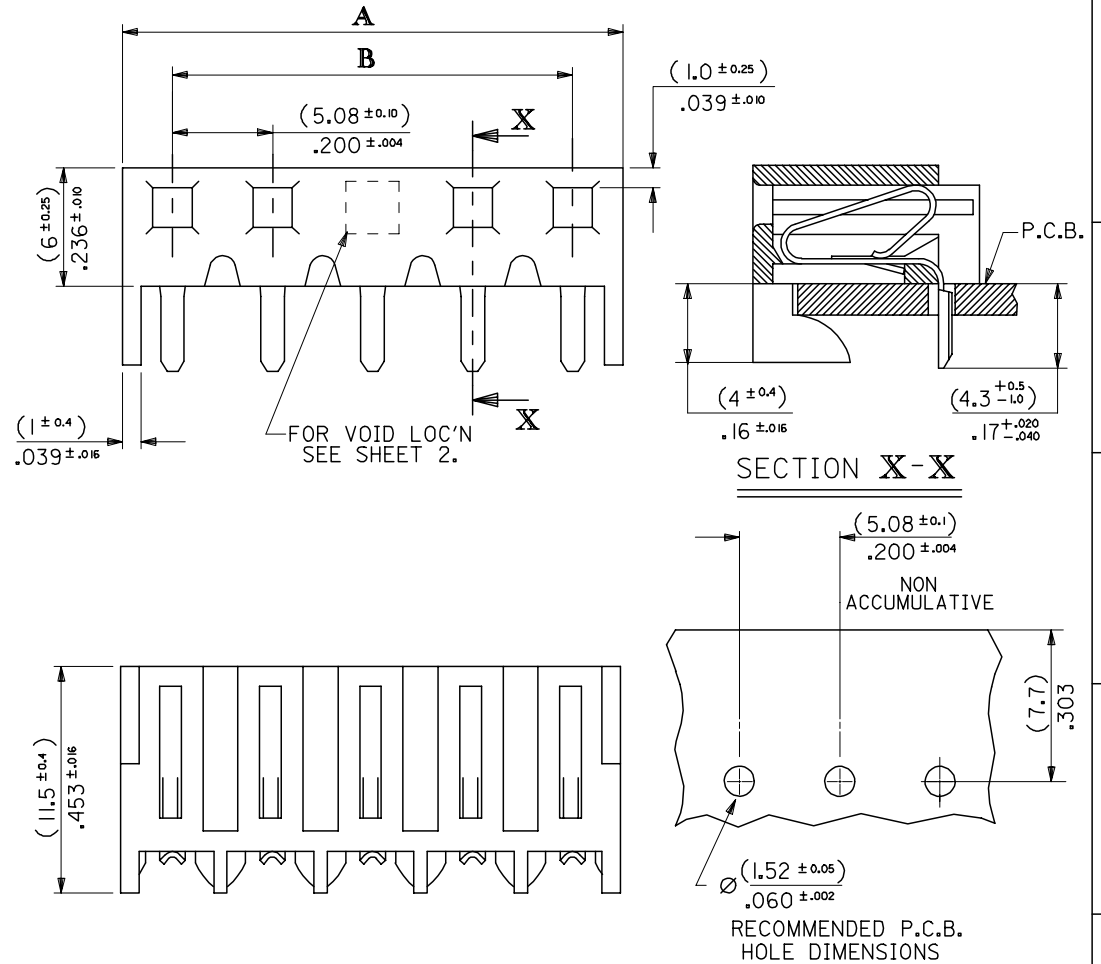
Reference - Drawing Numbers

Product Specification	PS-99020-0087
Sales Drawing	SDAE-3002-NA-*

This document was generated on 05/21/2010

PLEASE CHECK WWW.MOLEX.COM FOR LATEST PART INFORMATION

CCT	PART No.	ENG No.	DIM A	DIM B
2	10-10-1021	AE-3002-2A	(5.08 ± 0.10) .200 ± .004	(10.16 ± 0.25) .400 ± .008
3	↑ -1031	↑ -3A	(10.16 ± 0.10) .400 ± .004	(15.24 ± 0.25) .600 ± .008
4	-1041	-4A	(15.24 ± 0.10) .600 ± .004	(20.32 ± 0.25) .800 ± .008
5	-1051	-5A	(20.32 ± 0.10) .800 ± .004	(25.40 ± 0.25) 1.000 ± .008
6	-1061	-6A	(25.40 ± 0.10) 1.000 ± .004	(30.48 ± 0.25) 1.200 ± .008
7	-1071	-7A	(30.48 ± 0.20) 1.200 ± .008	(35.56 ± 0.25) 1.400 ± .008
8	-1081	-8A	(35.56 ± 0.20) 1.400 ± .008	(40.64 ± 0.25) 1.600 ± .008
9	-1091	-9A	(40.64 ± 0.20) 1.600 ± .008	(45.72 ± 0.25) 1.800 ± .008
10	-1101	-10A	(45.72 ± 0.20) 1.800 ± .008	(50.80 ± 0.25) 2.000 ± .008
11	-1111	-11A	(50.80 ± 0.20) 2.000 ± .008	(55.88 ± 0.30) 2.200 ± .008
12	-1121	-12A	(55.88 ± 0.25) 2.200 ± .010	(60.96 ± 0.30) 2.400 ± .008
13	-1131	-13A	(60.96 ± 0.25) 2.400 ± .010	(66.04 ± 0.30) 2.600 ± .012
14	-1141	-14A	(66.04 ± 0.25) 2.600 ± .010	(71.12 ± 0.30) 2.800 ± .012
15	-1151	-15A	(71.12 ± 0.25) 2.800 ± .010	(76.20 ± 0.30) 3.000 ± .012
16	-1161	-16A	(76.20 ± 0.25) 3.000 ± .010	(81.28 ± 0.40) 3.200 ± .012
17	-1171	-17A	(81.28 ± 0.30) 3.200 ± .012	(86.36 ± 0.40) 3.400 ± .012
18	-1181	-18A	(86.36 ± 0.30) 3.400 ± .012	(91.44 ± 0.40) 3.600 ± .012
19	↓ -1191	↓ -19A	(91.44 ± 0.30) 3.600 ± .012	(96.52 ± 0.40) 3.800 ± .012
20	10-10-1201	AE-3002-20A	(96.52 ± 0.30) 3.800 ± .012	(101.60 ± 0.40) 4.000 ± .012



NOTES

- HOUSING: NYLON, 94V-2, NATURAL
- HOUSING SUITABLE FOR (1.14±0.15)/.045±.006 RD. OR SQ. PINS
- TERMINAL: PHOS. BR, HOT TIN DIP. (1-2.5UM)/.0000040 - .000100 IN.
- HOOKS AVAILABLE ON ENDS ONLY

ENG NO. CORRECTION EC NO: E2006-0204 DRWN: DENNEHY 2005/09/09 CHKD: GCSWEENEY 2005/09/09 APPR: DENNEHY 2005/09/22	QUALITY SYMBOLS ▽=0 ▽=0	GENERAL TOLERANCES (UNLESS SPECIFIED)		DIMENSION STYLE MM ONLY		SCALE 4:1	DESIGN UNITS METRIC	THIRD ANGLE PROJECTION			
		4 PLACES ± --- ± ---	3 PLACES ± --- ± ---	2 PLACES ± --- ± ---	1 PLACE ± --- ± ---	ANGULAR ± ---°	DRAFT WHERE APPLICABLE MUST REMAIN WITHIN DIMENSIONS	DRAWN BY GCH	DATE 1995/06/15	TITLE KONEKTCON AND P.C. TAIL TERMINAL ASSEMBLY (5.08)/.200 PITCH	
							APPROVED BY JDENNEHY	DATE 2005/08/31	MOLEX INCORPORATED		
							MATERIAL NO. SEE CHART	DOCUMENT NO. SDAE-3002-NA-*	SHEET NO. 1 OF 2		

THIS DRAWING CONTAINS INFORMATION THAT IS PROPRIETARY TO MOLEX INCORPORATED AND SHOULD NOT BE USED WITHOUT WRITTEN PERMISSION