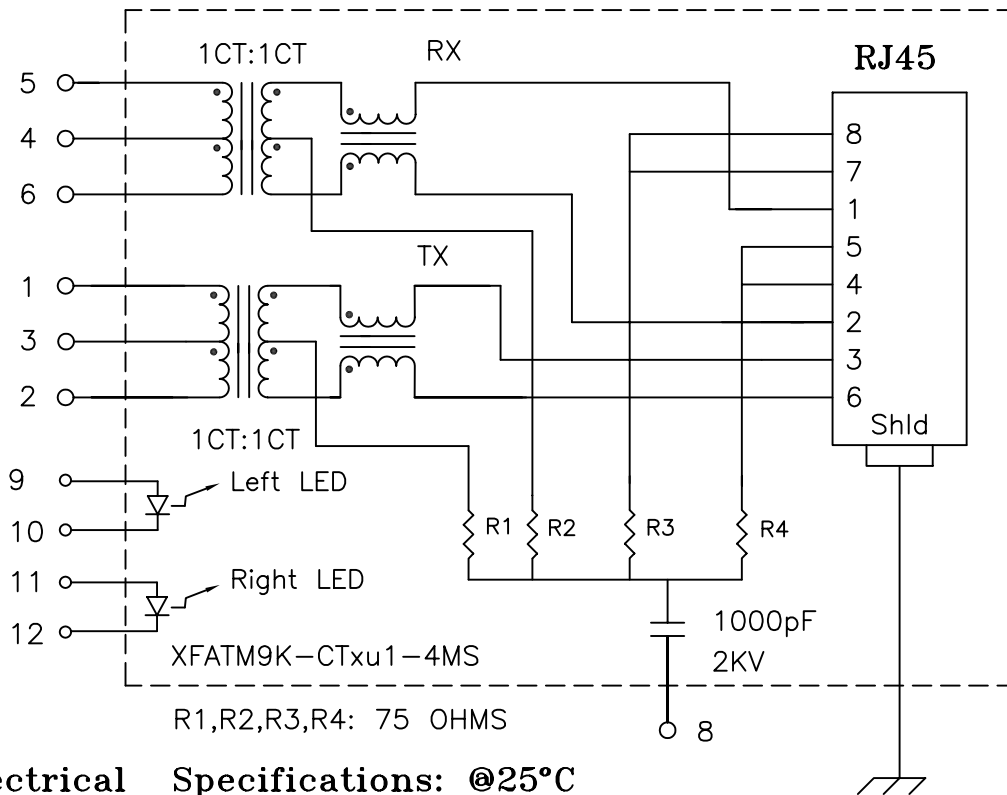


Schematic:



Electrical Specifications: @25°C

Isolation Voltage: 1500 Vrms (Input to Output)
 Turns Ratio: TX 1:1 ±3% RX 1:1 ±3%
 CABLE SIDE OCL: 350uH Minimum @100KHz 100mV 8mADC
 Q: 16 Min @100KHz, 0.1V
 Insertion Loss (0.3MHz-100MHz): -1.2dB Max
 Return Loss: @1MHz-30MHz -14dB Min
 @40MHz -14dB Min
 @50MHz -14dB Min
 @60MHz-100MHz -10dB Min
 Crosstalk attenuation: @30MHz -40dB Min
 @60MHz -36dB Min
 @100MHz -30dB Min
 Differential to Common Mode Rejection: @30MHz -35dB Min
 @60MHz -32dB Min
 @100MHz -30dB Min

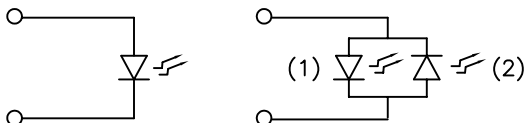
Complete the Combo P/N as follows:

Replace 'x' & 'u' in the part number with one of the LED color letters:

Y=Yellow
 G=Green
 A=Amber
 R=Red
 C=Green(1)/Amber(2) Bicolor
 D=Amber(1)/Green(2) Bicolor
 M=Green(1)/Yellow(2) Bicolor
 N=Yellow(1)/Green(2) Bicolor
 P=Red(1)/Green(2) Bicolor
 Q=Green(1)/Red(2) Bicolor

Single Color LED:

Bi-Color LED:



DOC. REV: A/2

Notes:

- Solderability: Leads shall meet MIL-STD-202G, Method 208H for solderability.
- Flammability: UL94V-0
- ASTM oxygen index: > 28%
- Insulation System: Class F 155°C. UL file E151556
- Operating Temperature Range: All listed parameters are to be within tolerance from 0°C to +70°C
- Storage Temperature Range: -55°C to +125°C
- Aqueous wash compatible
- Electrical and mechanical specifications 100% tested
- RoHS Compliant Component

XFMRs Inc.
 www.XFMRS.com

Title:

SINGLE PORT COMBO

UNLESS OTHERWISE SPECIFIED

P/N: XFATM9K-CTxu1-4MS

REV. A

TOLERANCES:

DWN.

Xianyi

Mar-25-09

.xxx ±0.010

CHK.

YK Liao

Mar-25-09

Dimensions in Inch

APP.

BW

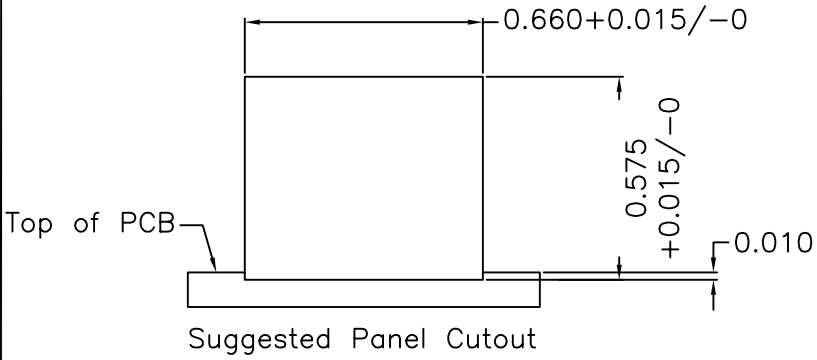
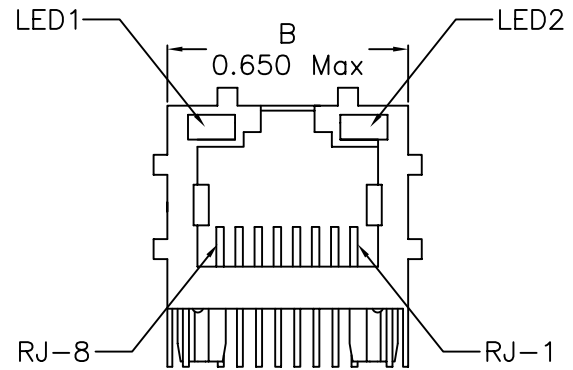
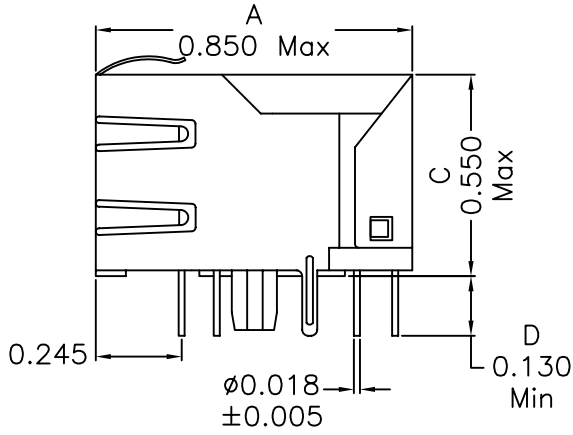
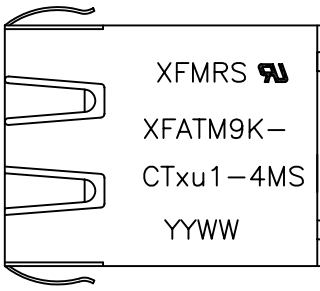
Mar-25-09

SHEET 1 OF 2

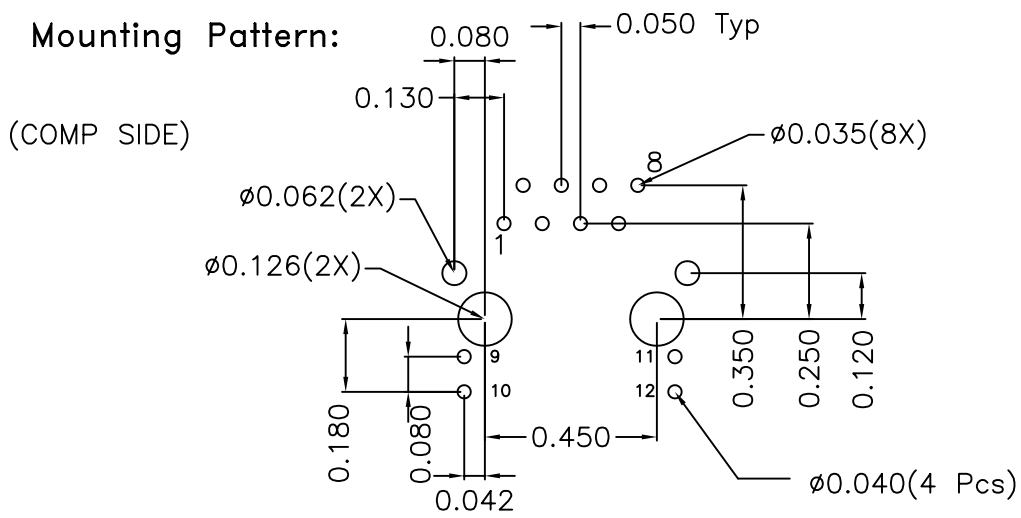
PROPRIETARY:

Document is the property of XFMRs Group & is not allowed to be duplicated without authorization.

Mechanical Dimensions:



Mounting Pattern:



DOC REV: A/2

XFMRS Inc. www.XFMRS.com		Title: 0.85" Tab-UP Single port	
UNLESS OTHERWISE SPECIFIED TOLERANCES: .xxx ±0.010 Dimensions in Inch	P/N: XFATM9K-CTxu1-4MS	REV. A	
	DWN.	Xiany	Mar-25-09
	CHK.	YK Liao	Mar-25-09
SHEET 2 OF 2	APP.	BW	Mar-25-09

PROPRIETARY:
Document is the property of XFMRS Group & is not allowed to be duplicated without authorization.