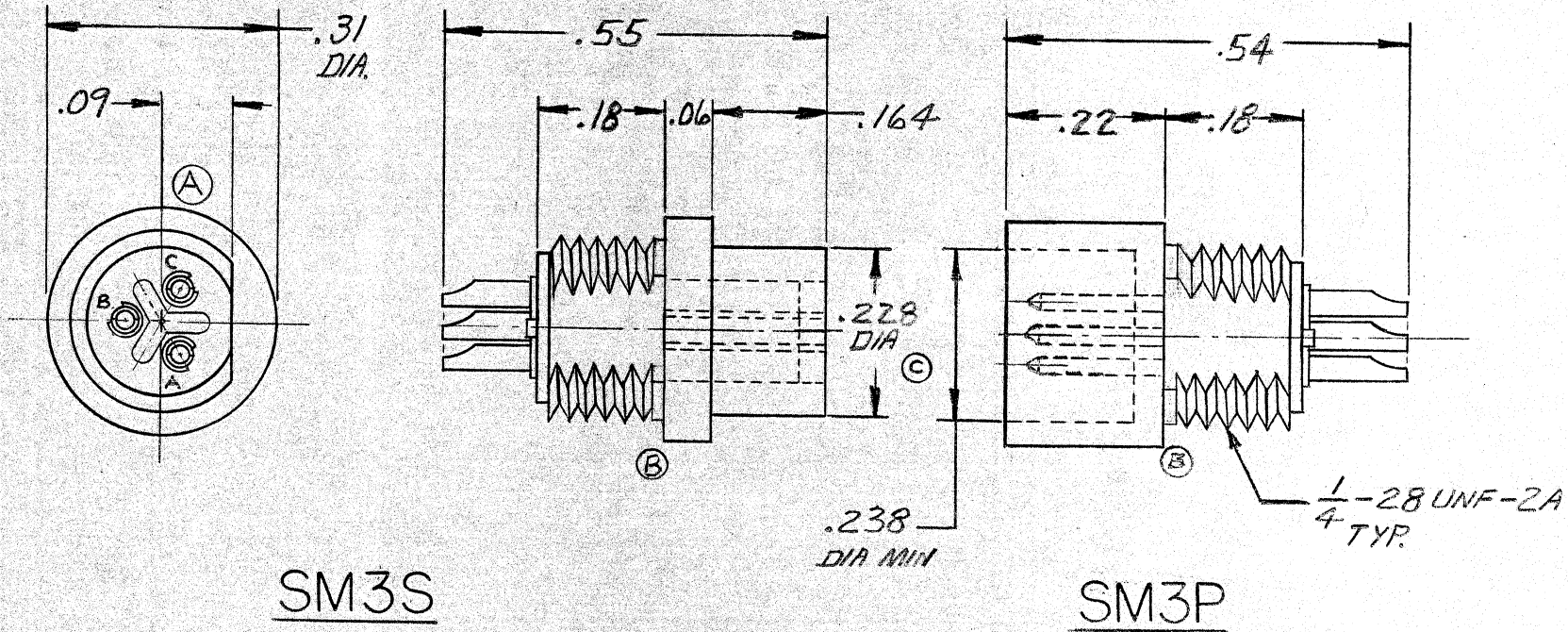


This drawing, the designs and ideas embodied in the device to which it relates, and the methods of producing the device, are the property of Winchester Electronics, DIVISION and shall not be employed, copied, or disclosed to anyone, in any manner without the consent of Winchester Electronics, DIVISION.

17585 D



SM3S

SM3P

TOLERANCE UNLESS OTHERWISE SPECIFIED:

XX = ±.02, XXX = ±.007

ANGULAR ±

X-70605-3

REV.	CHANGE	DATE
A	CONTACT "A" WAS "C" CONTACT "C" WAS "A" EN 1190	3-7-68 S.G.
B	REMOVED THREAD AGAINST SHOULDER EN 9042	9/18/62 D.S.
C	15/64-28P8 WAS 15/64 ± 1/64. 15/64-28P8 WAS 1/4 ± 1/64 MATERIAL EN 10908 Edw	10-27-65 A.S.
D	REVISED. SEE EN 1174 Edw	6-14-68 V.R.

TITLE		SM3S		OUTLINE		SM3P	
MATERIAL DIALYL PHTHALATE PER MIL-M-14, TYPE SDG-F							
FINISH							
SCALE	DR.	CK'D.	AP'D.				
4-1	DATE 7-10-57	DATE 3-22-58	DATE 3-23-58				
WINCHESTER ELECTRONICS OAKVILLE, CONN.							
DWG. SIZE	A 17585			REV. D			

EN 9268