

LED Lamps InGaN and Phosphor

TLWF1100D(T11)

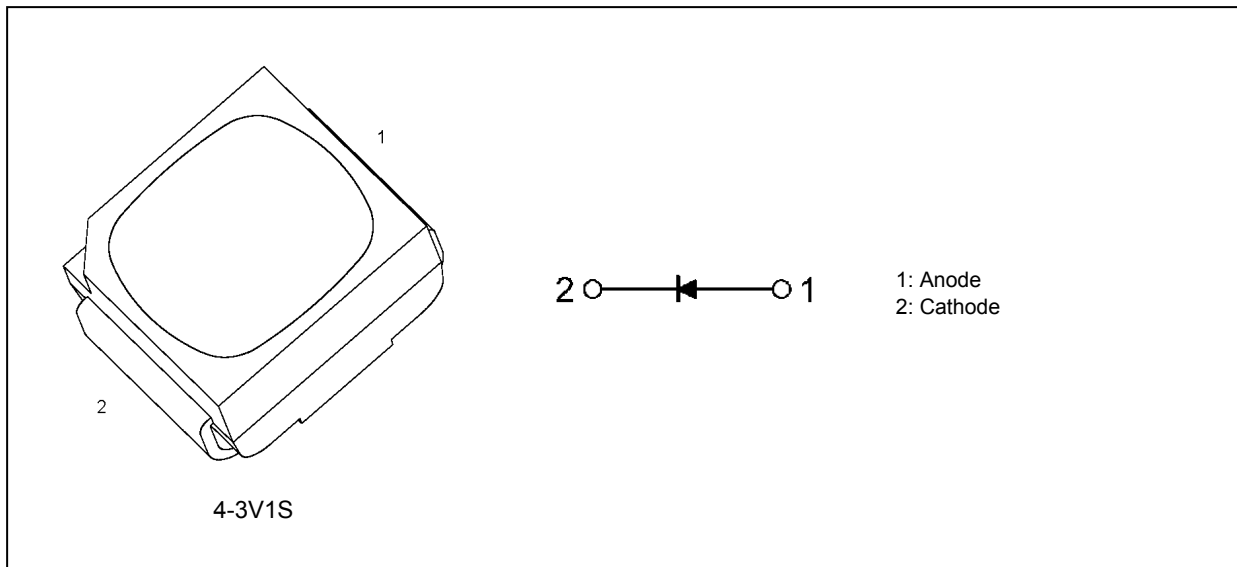
1. Applications

- General Lighting
- Backlighting
- Pilot Lamps

2. Features

- (1) Size: 3.2 (L) mm × 2.9 (W) mm × 1.9 (H) mm
- (2) Luminous intensity: $I_V = 1800$ mcd (typ.) @ $I_F = 20$ mA
- (3) LED chip and phosphor
- (4) Emitting material: InGaN
- (5) Color: White (Daylight)
- (6) High heat-resistant type: $T_{opr}/T_{stg} = -40$ to 100°C
- (7) Designed to be mounted with automatic pick-and-place equipment
- (8) Reflow soldering is possible
- (9) Standard embossed tape packaging: 4-mm pitch: T11 type (2,000 pcs/reel), 8-mm tape/reel

3. Packaging and Internal Circuit



4. Absolute Maximum Ratings (Note) (Unless otherwise specified, $T_a = 25^\circ\text{C}$)

Characteristics	Symbol	Note	Max	Unit
Forward current (DC)	I_F	See Fig. 4.1	30	mA
Reverse voltage	V_R		5	V
Power dissipation	P_D		120	mW
Operating temperature	T_{opr}		-40 to 100	$^\circ\text{C}$
Storage temperature	T_{stg}		-40 to 100	$^\circ\text{C}$

Note: Using continuously under heavy loads (e.g. the application of high temperature/current/voltage and the significant change in temperature, etc.) may cause this product to decrease in the reliability significantly even if the operating conditions (i.e. operating temperature/current/voltage, etc.) are within the absolute maximum ratings.

Please design the appropriate reliability upon reviewing the Toshiba Semiconductor Reliability Handbook ("Handling Precautions"/"Derating Concept and Methods") and individual reliability data (i.e. reliability test report and estimated failure rate, etc).

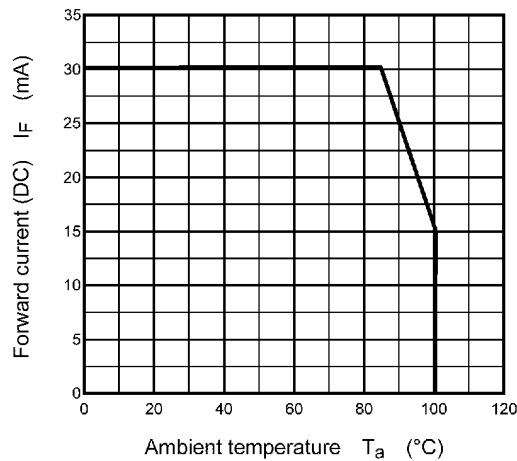


Fig. 4.1 Forward Current Derating, $I_F - T_a$

5. Handling Precautions

- ESD withstand voltage according to MIL STD 883D, Method 3015.7: ≥ 1000 V

When handling this LED, take the following measures to prevent the LED from being damaged or otherwise adversely affected.

1. Use a conductive tablemat and conductive floor mat, and ground the workbench and floor.
 2. Operators handling laser diodes must be grounded via a high resistance (about 1 M Ω). A conductive strap is good for this purpose.
 3. Ground all tools including soldering irons.
- Since this product is intended to be used for display lighting, the measurement standard is based on the spectral sensitivity of the human eye. It is not intended to be used for any applications other than display lighting (e.g., sensors and light communications systems.)

6. Electrical Characteristics (Unless otherwise specified, $T_a = 25^\circ\text{C}$)

Characteristics	Symbol	Note	Test Condition	Min	Typ.	Max	Unit
Forward voltage	V_F		$I_F = 20 \text{ mA}$	2.5	3.3	4.0	V
Reverse current	I_R		$V_R = 5 \text{ V}$	—	—	10	μA

7. Optical Characteristics (Unless otherwise specified, $T_a = 25^\circ\text{C}$)

Characteristics	Symbol	Note	Test Condition	Min	Typ.	Max	Unit
Chromaticity	C_x	See Fig. 7.1, Table 7.1	$I_F = 20 \text{ mA}$	—	—	—	—
	C_y			—	—	—	
Luminous intensity (on-axis)	I_V	See Table 7.2	$I_F = 20 \text{ mA}$	1000	1800	4000	mcd

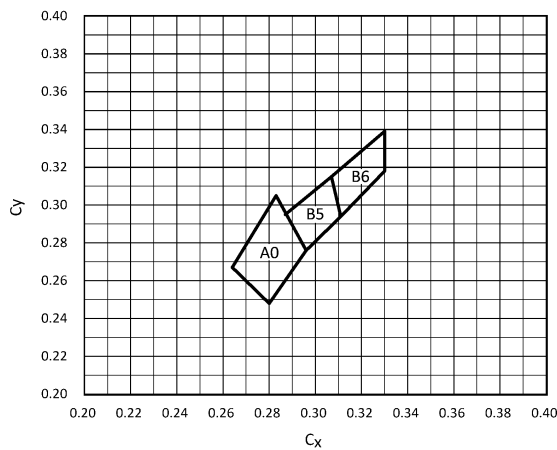


Fig. 7.1 Chromaticity Rank (Note)

Note: Test conditions: $I_F = 20 \text{ mA}$, $T_a = 25^\circ\text{C}$, Tolerance: ± 0.01

Table 7.1 Chromaticity Rank (Note)

Rank	C_x	C_y
A0	0.280	0.248
	0.296	0.276
	0.283	0.305
	0.264	0.267
B5	0.296	0.276
	0.311	0.294
	0.307	0.315
	0.287	0.295
B6	0.311	0.294
	0.330	0.318
	0.330	0.339
	0.307	0.315

Note: This LED lamp is sorted into chromaticity coordinate groups shown above. Each reel includes the same rank LEDs. Let the delivery ratio of each rank be unquestioned.

Table 7.2 Luminous Intensity Rank (Note)

Rank	Test Condition	Luminous Intensity (Min)	Luminous Intensity (Max)	Unit
WA1	I _F = 20 mA, T _a = 25°C	1000	1600	mcd
WA2		1250	2000	
XA1		1600	2500	
XA2		2000	3200	
YA1		2500	4000	

Note: This LED lamp is sorted into luminous intensity ranks shown above. Each reel includes the same rank LEDs. Let the delivery ratio of each rank be unquestioned.

Rank notations: The luminous intensity and chromaticity ranks are printed on labels as shown below:

Example: A0WA1
 A0: Chromaticity rank
 WA1: Luminous intensity rank

8. Characteristics Curves (Note)

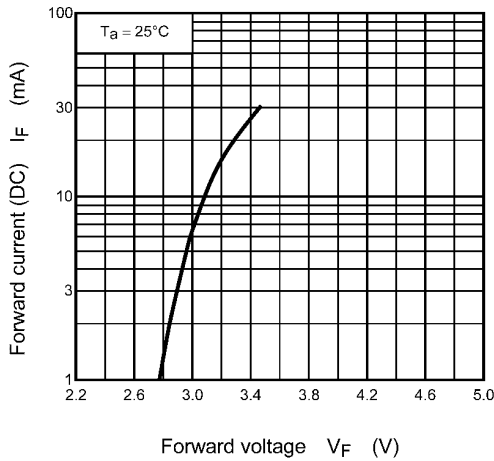


Fig. 8.1 $I_F - V_F$

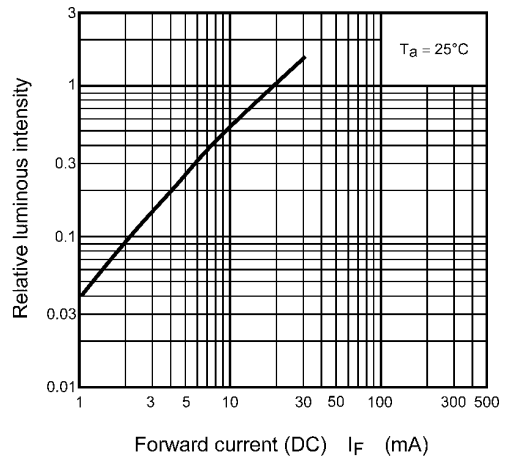


Fig. 8.2 Relative Luminous Intensity - I_F

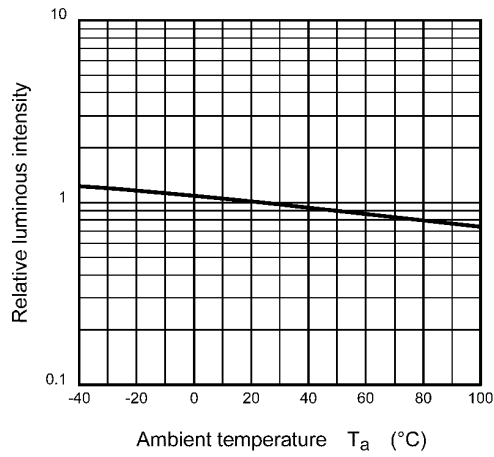


Fig. 8.3 Relative Luminous Intensity - T_a

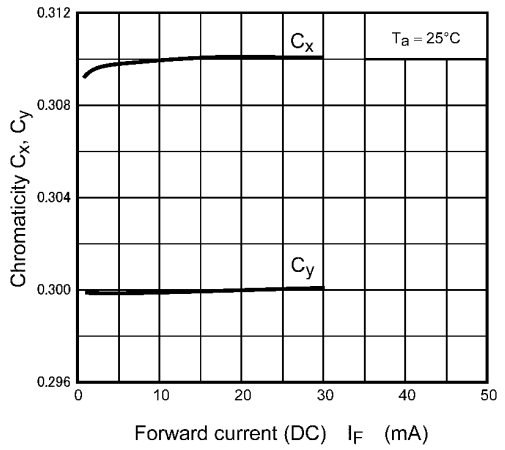


Fig. 8.4 $C_x, C_y - I_F$

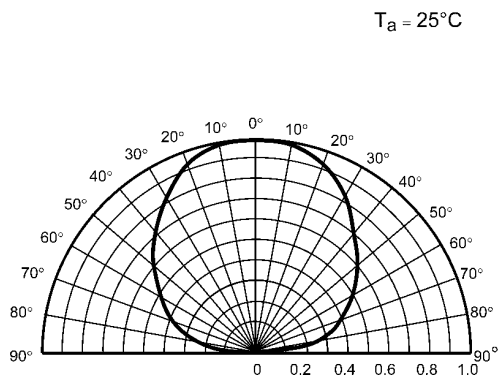


Fig. 8.5 Radiation Pattern

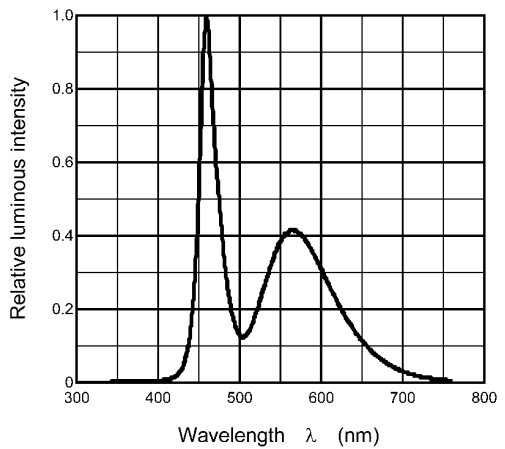


Fig. 8.6 Wavelength Characteristic

Note: The above characteristics curves are presented for reference only and not guaranteed by production test, unless otherwise noted.

9. Packing

9.1. Moisture-Proof Packing

These LED devices are packed in an aluminum envelope with a silica gel and a moisture indicator to avoid moisture absorption. The optical characteristics of the device may be affected by exposure to moisture in the air before soldering and the device should therefore be stored under the following conditions:

- This moisture proof bag may be stored unopened within 12 months at the following conditions.
Temperature: 5°C to 30°C
Humidity: 90% (max)
- After opening the moisture proof bag, the device should be assembled within 4 weeks in an environment of 5°C to 30°C/60% RH or below.
- If upon opening, the moisture indicator card shows humidity 30% or above (Color of indication changes to pink) or the expiration date has passed, the device should be baked in taping with reel.
After baking, use the baked device within 72 hours, but perform baking only once.
Baking conditions: 60±5°C, for 12 to 24 hours.
Expiration date: 12 months from sealing date, which is imprinted on the label affixed.
- Repeated baking can cause the peeling strength of the taping to change, then leads to trouble in mounting. Furthermore, prevent the devices from being destructed against static electricity for baking of it.
- If the packing material of laminate would be broken, the hermeticity would deteriorate. Therefore, do not throw or drop the packed devices.

10. Mounting Method

10.1. Precautions when Mounting

- Do not apply force to the plastic part of the LED under high-temperature conditions.
- To avoid damaging the LED plastic, do not apply friction using a hard material.
- When installing the PCB in a product, ensure that the device does not come into contact with other components.
- For this product, silicone is used as the encapsulated material. Therefore the top surface of this product is soft. Please do not stress on the encapsulated part of LEDs to avoid affecting the reliability of the product. When using the mounting devices, please use the picking up nozzle that does not affect the silicone resin.

10.2. Soldering

Following show examples of reflow soldering.

- Temperature Profile (see following figures.)

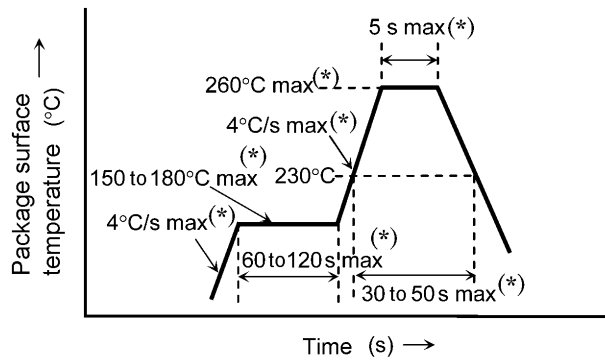
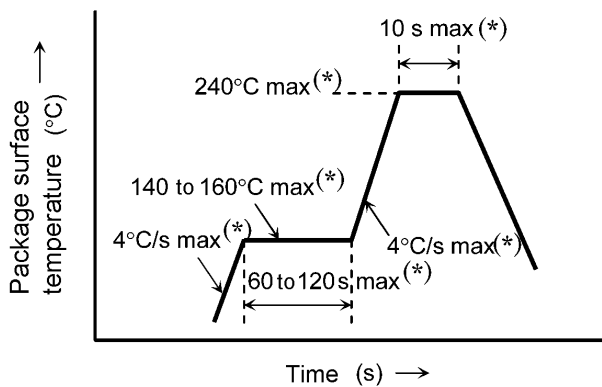


Fig. 10.2.1 Temperature Profile for Pb Soldering (Example)

Fig. 10.2.2 Temperature Profile for Lead(Pb)-free Soldering (Example)

- The product is evaluated using above reflow soldering conditions. No additional test is performed exceed the condition (i.e. the condition more than (*)MAX values) as a evaluation. Please perform reflow soldering under the above conditions.
- Please perform the first reflow soldering with reference to the above temperature profile and within 4 weeks of opening the package.
- If a second reflow process is necessary, reflow soldering should be performed within 168 hours of the first reflow under the above conditions. Storage conditions before the second reflow soldering: 30°C, 60% RH (max)
- Do not perform wave soldering.
- Manual soldering with a soldering iron should meet the following conditions:
 Temperature at tip of iron: 300°C (max)
 Soldering iron capacity: 25 W
 Time: 3 seconds (max) (only once at each soldering point)

10.3. Land Pattern Dimensions for Reference Only

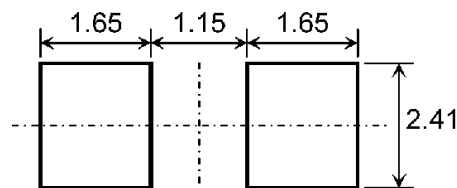


Fig. 10.3.1 Land Pattern Dimensions for Reference Only (Unit: mm)

11. Cleaning

When cleaning is required after soldering, Toshiba recommends the following cleaning solvents. It is confirmed that these solvents have no effect on semiconductor devices in our dipping test (under the recommended conditions). In selecting the one for your actual usage, please perform sufficient review on washing condition, using condition and etc.

Recommended cleaning solvents

ASAHI CLEAN AK-225AES: (made by ASAHI GLASS)

KAO CLEANTHROUGH 750HS: (made by KAO)

PINE ALPHA ST-100S: (made by ARAKAWA CHEMICAL)

12. Tape Specifications

12.1. Product number format

The type of package used for shipment is denoted by a symbol suffix after the part number. The method of classification is as below. (this method, however does not apply to products whose electrical characteristics differ from standard Toshiba specifications)

Example: TLWF1100D(T11)

Toshiba part number: TLWF1100D

Tape type: T11(4-mm pitch)

12.2. Tape Dimensions

Table 12.2.1 Tape Dimensions (Unit: mm)

	D	E	P ₀	t	F	D ₁	P ₂	W	P	A ₀	B ₀	K ₀
Dimensions	1.5	1.75	4.0	0.3	3.5	1.5	2.0	8.0	4.0	2.9	3.7	2.3
Tolerance	+0.1/-0	±0.1	±0.1	±0.05	±0.05	±0.1	±0.05	±0.3	±0.1	±0.1	±0.1	±0.1

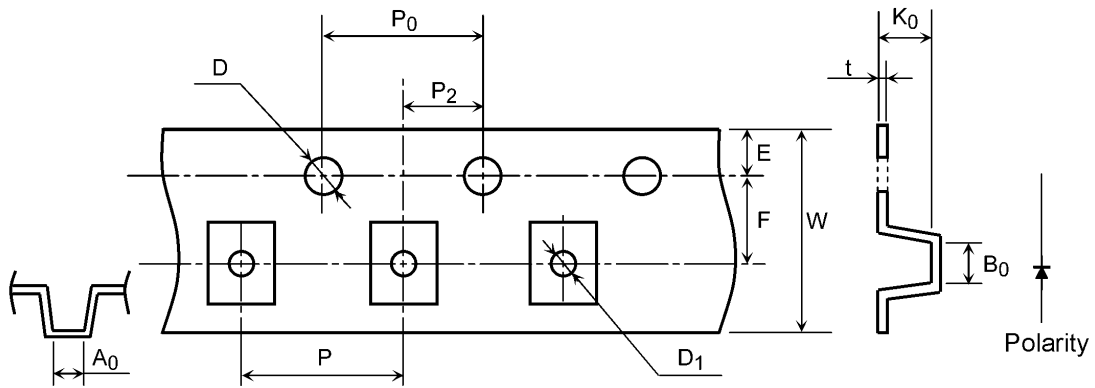


Fig. 12.2.1 Tape Dimensions

12.3. Reel Specification

12.3.1. Reel Dimensions

Unit: mm

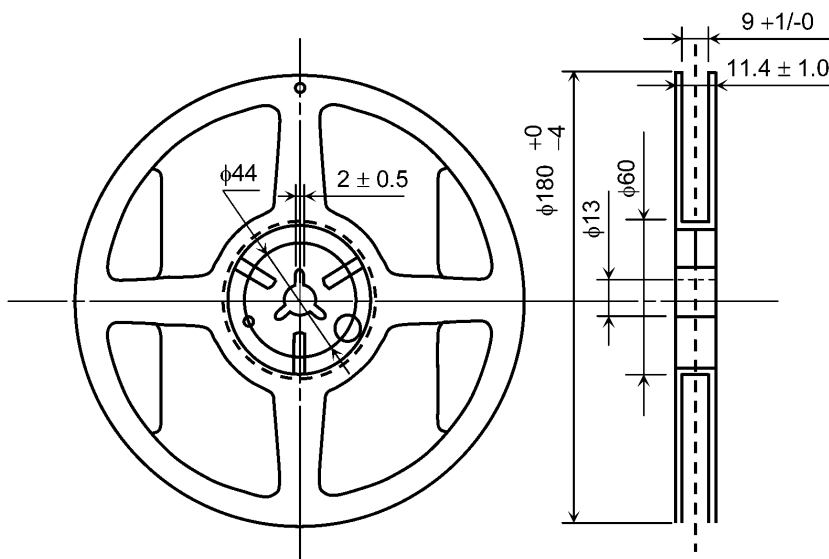


Fig. 12.3.1.1 Reel Dimensions

12.3.2. Tape Leader and Trailer

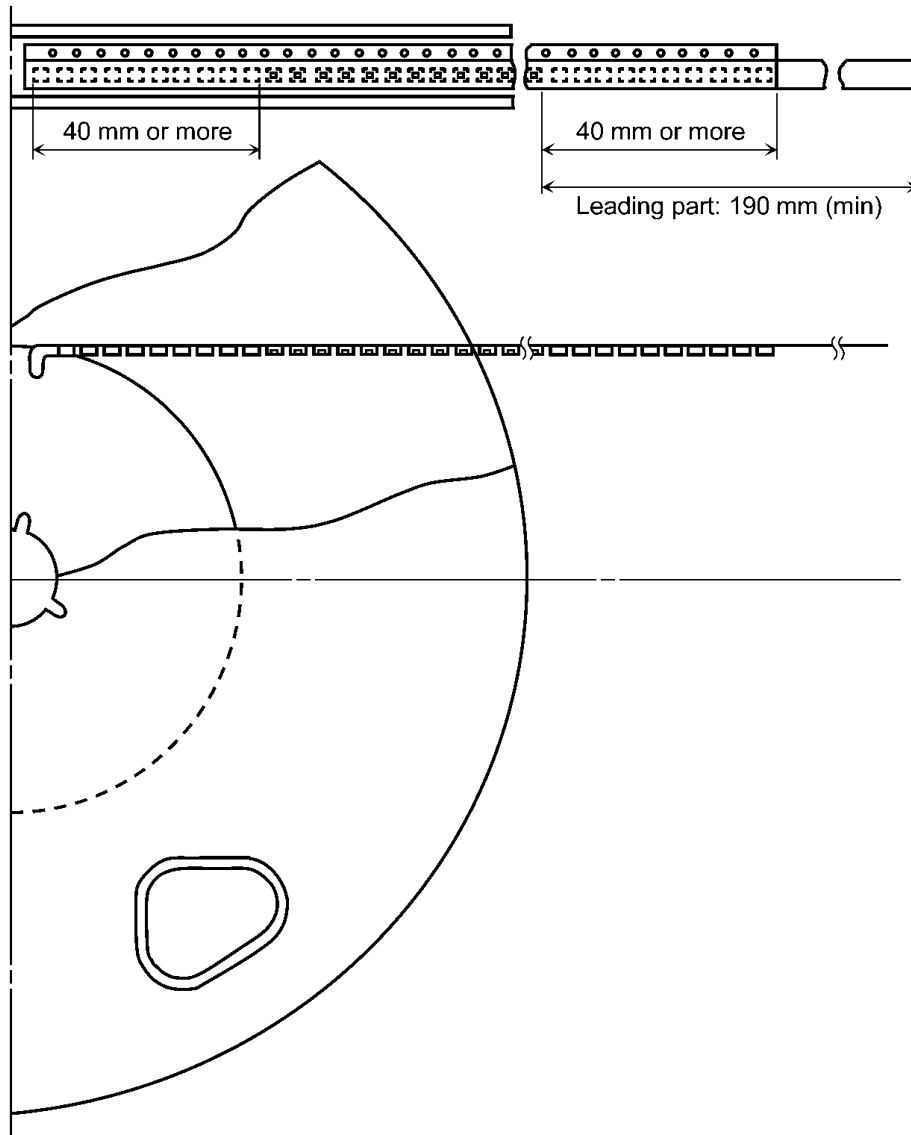


Fig. 12.3.2.1 Tape Leader and Trailer

12.4. Packing Form

Each reel is sealed in an aluminum pack with silica gel. Packing quantity is as shown below.

- Reel: 2,000 pcs
- Carton: 10,000 pcs

12.5. Label Format

Label example for TLWF1100D(T11 and label location are as shown below.

12.5.1. Label Example

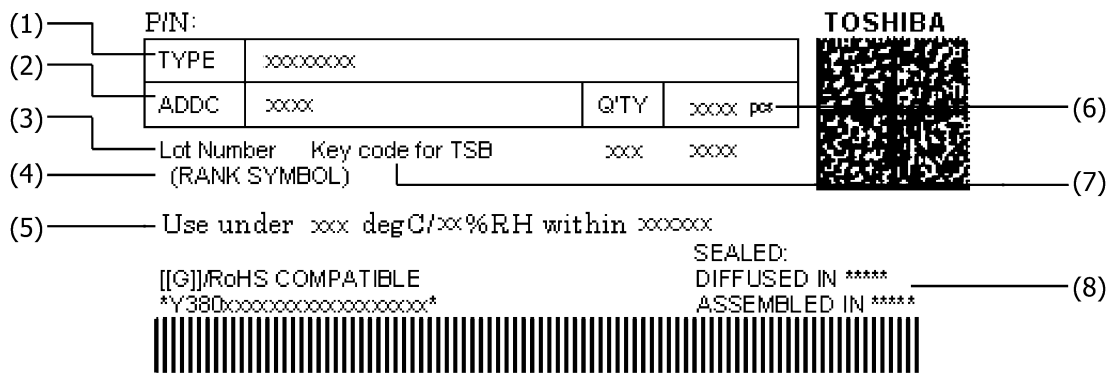


Fig. 12.5.1.1 Label Example

12.5.2. Label Details

No. (# refer to the above label example)	Information for Toshiba Use	Remarks
(1)	Part No.	TLWF1100D(T11
(2)	ADD code	Notation explanation (O Assembled in Japan, sales for domestic and overseas customers (J Assembled in overseas factory, sales for domestic customers (T Assembled in overseas factory, sales for overseas customers
(3)	Lot code	Example: 270xxxxx
(4)	Rank symbol	Example: A0WA1
(5)	Storage condition after opening	Use under 5 to 30°C/60%RH within 4 weeks
(6)	Packing quantity	Example: 2,000 pcs
(7)	Key code	Example: 12345
(8)	Country of origin	Example: JAPAN

12.5.3. Label Location

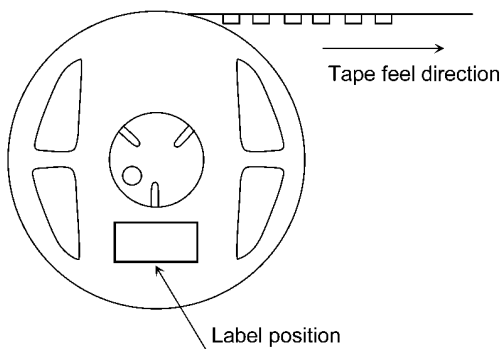


Fig. 12.5.3.1 Label Position on the Reel

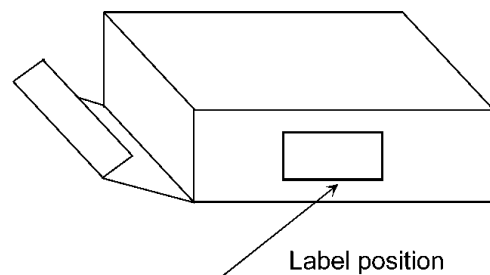


Fig. 12.5.3.2 Label Position on the Carton

Aluminum pack: The aluminum pack in which the reel is supplied also has the label attached to center of one side.

13. Internal Circuit

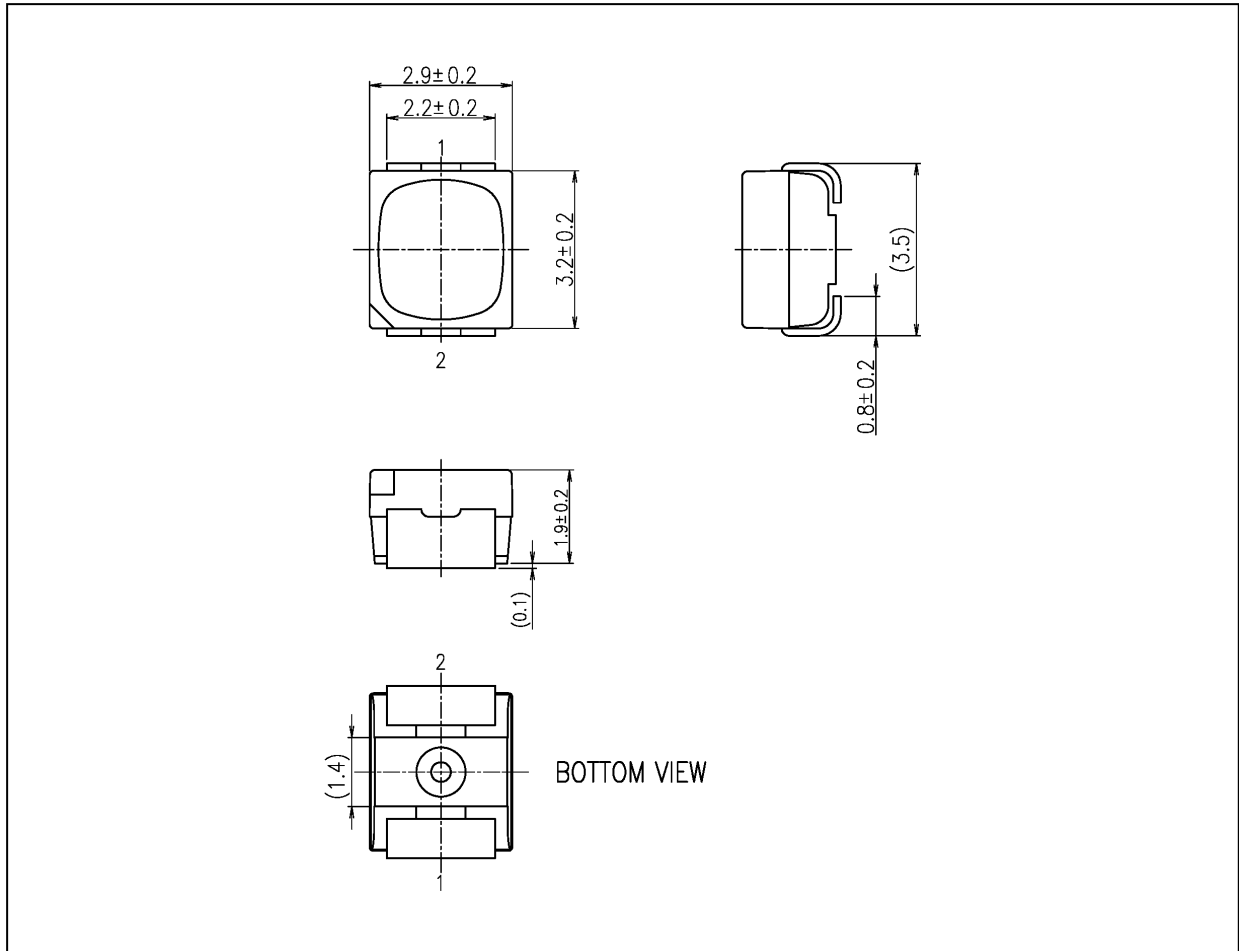


1: Anode
2: Cathode

Fig. 13.1 Internal Circuit

Package Dimensions

Unit: mm



Weight: 0.035 g (typ.)

Package Name(s)
TOSHIBA: 4-3V1S
Nickname: PLCC2

RESTRICTIONS ON PRODUCT USE

- Toshiba Corporation, and its subsidiaries and affiliates (collectively "TOSHIBA"), reserve the right to make changes to the information in this document, and related hardware, software and systems (collectively "Product") without notice.
- This document and any information herein may not be reproduced without prior written permission from TOSHIBA. Even with TOSHIBA's written permission, reproduction is permissible only if reproduction is without alteration/omission.
- Though TOSHIBA works continually to improve Product's quality and reliability, Product can malfunction or fail. Customers are responsible for complying with safety standards and for providing adequate designs and safeguards for their hardware, software and systems which minimize risk and avoid situations in which a malfunction or failure of Product could cause loss of human life, bodily injury or damage to property, including data loss or corruption. Before customers use the Product, create designs including the Product, or incorporate the Product into their own applications, customers must also refer to and comply with (a) the latest versions of all relevant TOSHIBA information, including without limitation, this document, the specifications, the data sheets and application notes for Product and the precautions and conditions set forth in the "TOSHIBA Semiconductor Reliability Handbook" and (b) the instructions for the application with which the Product will be used with or for. Customers are solely responsible for all aspects of their own product design or applications, including but not limited to (a) determining the appropriateness of the use of this Product in such design or applications; (b) evaluating and determining the applicability of any information contained in this document, or in charts, diagrams, programs, algorithms, sample application circuits, or any other referenced documents; and (c) validating all operating parameters for such designs and applications.
TOSHIBA ASSUMES NO LIABILITY FOR CUSTOMERS' PRODUCT DESIGN OR APPLICATIONS.
- Product is intended for use in general electronics applications (e.g., computers, personal equipment, office equipment, measuring equipment, industrial robots and home electronics appliances) or for specific applications as expressly stated in this document. Product is neither intended nor warranted for use in equipment or systems that require extraordinarily high levels of quality and/or reliability and/or a malfunction or failure of which may cause loss of human life, bodily injury, serious property damage or serious public impact ("Unintended Use"). Unintended Use includes, without limitation, equipment used in nuclear facilities, equipment used in the aerospace industry, medical equipment, equipment used for automobiles, trains, ships and other transportation, traffic signaling equipment, equipment used to control combustions or explosions, safety devices, elevators and escalators, devices related to electric power, and equipment used in finance-related fields. Do not use Product for Unintended Use unless specifically permitted in this document.
- Do not disassemble, analyze, reverse-engineer, alter, modify, translate or copy Product, whether in whole or in part.
- Product shall not be used for or incorporated into any products or systems whose manufacture, use, or sale is prohibited under any applicable laws or regulations.
- The information contained herein is presented only as guidance for Product use. No responsibility is assumed by TOSHIBA for any infringement of patents or any other intellectual property rights of third parties that may result from the use of Product. No license to any intellectual property right is granted by this document, whether express or implied, by estoppel or otherwise.
- **ABSENT A WRITTEN SIGNED AGREEMENT, EXCEPT AS PROVIDED IN THE RELEVANT TERMS AND CONDITIONS OF SALE FOR PRODUCT, AND TO THE MAXIMUM EXTENT ALLOWABLE BY LAW, TOSHIBA (1) ASSUMES NO LIABILITY WHATSOEVER, INCLUDING WITHOUT LIMITATION, INDIRECT, CONSEQUENTIAL, SPECIAL, OR INCIDENTAL DAMAGES OR LOSS, INCLUDING WITHOUT LIMITATION, LOSS OF PROFITS, LOSS OF OPPORTUNITIES, BUSINESS INTERRUPTION AND LOSS OF DATA, AND (2) DISCLAIMS ANY AND ALL EXPRESS OR IMPLIED WARRANTIES AND CONDITIONS RELATED TO SALE, USE OF PRODUCT, OR INFORMATION, INCLUDING WARRANTIES OR CONDITIONS OF MERCHANTABILITY, FITNESS FOR A PARTICULAR PURPOSE, ACCURACY OF INFORMATION, OR NONINFRINGEMENT.**
- Do not use or otherwise make available Product or related software or technology for any military purposes, including without limitation, for the design, development, use, stockpiling or manufacturing of nuclear, chemical, or biological weapons or missile technology products (mass destruction weapons). Product and related software and technology may be controlled under the Japanese Foreign Exchange and Foreign Trade Law and the U.S. Export Administration Regulations. Export and re-export of Product or related software or technology are strictly prohibited except in compliance with all applicable export laws and regulations.
- Please contact your TOSHIBA sales representative for details as to environmental matters such as the RoHS compatibility of Product. Please use Product in compliance with all applicable laws and regulations that regulate the inclusion or use of controlled substances, including without limitation, the EU RoHS Directive. TOSHIBA assumes no liability for damages or losses occurring as a result of noncompliance with applicable laws and regulations.