

Single Output Low Profile Power Supplies

Features

- ◆ Low Cost
- ◆ Low Profile
- ◆ Active Power Factor Correction
- ◆ Universal Input (85 - 265VAC)
- ◆ Input Transient Protected IEC61000-4
- ◆ Low Acoustical noise
- ◆ Medical Certifications (SWS1000L)
- ◆ Global safety Approvals
- ◆ Variable speed fan



Key Market Segments & Applications



Specifications		
Model	SWS600L	SWS1000L
Input Voltage range	-	85 - 265VAC (47 - 63Hz) or 120 - 350VDC
Inrush Current (115 / 230VAC)	A	20 / 40
Power Factor	-	Meets EN61000-3-2 Class A
Input Current (100/200VAC)	A	7.1 / 3.6 (3.3V: 5 / 2.5) 12 / 6
Temperature Coefficient	-	<0.02%/°C
Overcurrent Protection	-	>105%, Constant current style
Overvoltage Protection	V	125% -145%
Overtemperature Protection	-	Yes, cycle AC or Remote On/Off to reset
Hold Up Time (Typ)	ms	20ms at 115/230VAC
Leakage Current (max)	mA	<0.75mA 100µA at 115VAC 60Hz(2)
Remote Sense	-	Yes
Parallel Connection	-	Yes
Remote On/Off (CNT)	-	Yes
Voltage Programming (1)	-	Yes
DC Good & Fan Fail Signal	-	Yes, open collector output
Auxiliary Output	-	12V 0.1A
LED Indicator	-	Green LED = On
Operating Temperature	°C	-40°C start up. -20 to 74°C, derating linearly to 50% load above 50°C
Storage Temperature	°C	-40 to +85°C
Humidity (non condensing)	-	20 - 90% RH operating, 10 - 95%RH non operating
Cooling	-	Variable speed internal fan
Withstand Voltage(One minute)	-	Input to Ground 2kVAC, Input to Output 3kVAC, Output to Ground 500VAC, Output to CNT 100VAC Input to Ground 2kVAC, Input to Output 4kVAC, Output to Ground 500VAC, Output to CNT 100VAC
Isolation Resistance	-	>50M at 25C & 70%RH, Output to Ground 500VDC
Vibration (non operating)	-	MIL-STD-810F 514.5 Cat. 4, 10
Shock (in packaging)	-	MIL-STD-810F 516.5 Procedure I, VI
Immunity	-	EN61000-4-2, -3, -4, -5, -6, -8, -11
Safety Agency Certification	-	UL, CSA, EN60950-1, UL60601-1 (1000W only), IEC61010-1 (600W only), EN50178, CE Mark
Conducted & Radiated EMI	-	EN55011 / EN55022-B, FCC Class B
Weight (Typ)	g	1600 2300
Size (WxHxD)	in	2.4 x 4.72 x 7.48" 2.4 x 5.91 x 9.45"
Warranty	yrs	Three Years

(1) 1-6V program voltage input to adjust output 20-120% (typical) of nominal. See instruction manual for details & models with this feature.
 (2) Worst case: <300µA at 264VAC, 63Hz (Normal Condition); <500µA (Single Fault Condition).

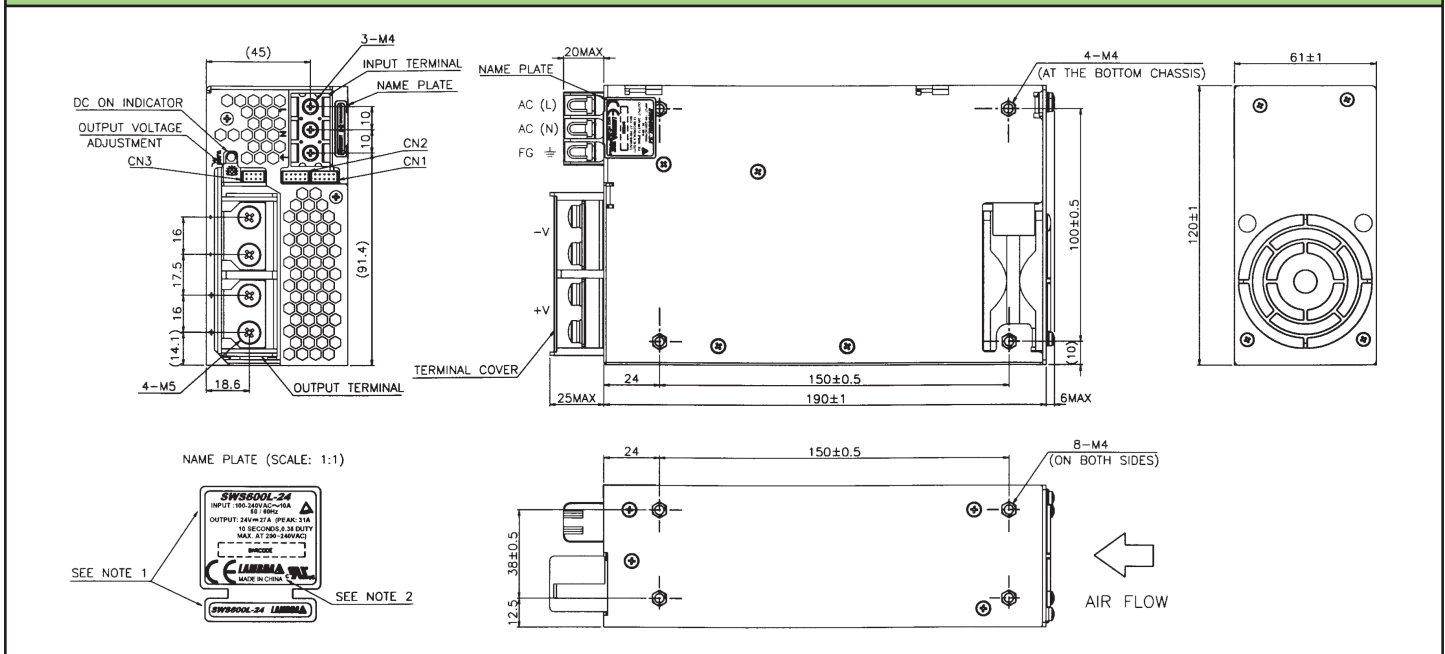
Model Selector

Model	Voltage	Adjust Range	Curr. (A)	Max Pwr (W)	Max Reg (mV)	Load Reg (mV)	Line Noise (mV)	Ripple Eff. (3) (typ)%
SWS600L-3	3.3V	2.64 - 3.96V	120A	396W	30	20	120	70 / 72
SWS1000L-3	3.3V	2.64 - 3.96V	200A	660W	30	20	120	74 / 76
SWS600L-5	5V	4 - 6V	120A	600W	30	20	120	75 / 77
SWS1000L-5	5V	4 - 6V	200A	1000W	30	20	120	79 / 81
SWS600L-12	12V	9.6 - 14.4V	53A	636W	72	48	150	79 / 82
SWS1000L-12	12V	9.6 - 14.4V	88A	1056W	72	48	150	82 / 84
SWS600L-15	15V	12 - 19.5V	43A	645W	90	60	150	79 / 82
SWS1000L-15	15V	12 - 19.5V	70A	1050W	90	60	150	82 / 84
SWS600L-24	24V	19.2 - 28.8V	27A (31A) ⁽⁴⁾	648W(744W)	144	96	150	81 / 84
SWS1000L-24	24V	19.2 - 28.8V	44A (51A) ⁽⁴⁾	1056W(1224W)	144	96	150	84 / 86
SWS600L-36	36V	28.8 - 43.2V	18A	648W	216	144	200	82 / 84
SWS1000L-36	36V	28.8 - 43.2V	29A	1044W	216	144	200	84 / 86
SWS600L-48	48V	38.4 - 56V	13A (15A) ⁽⁴⁾	624W(720W)	288	192	200	82 / 84
SWS1000L-48	48V	38.4 - 56V	22A (25A) ⁽⁴⁾	1056W(1200W)	288	192	200	84 / 86
SWS600L-60	60V	48 - 66V	10A	600W	360	240	200	82 / 84
SWS1000L-60	60V	48 - 66V	17A	1020W	360	240	200	84 / 86

Notes: (3) 115 / 230VAC

(4) Peak current and power possible at 170-265VAC input, 10s max, 35% duty cycle

SWS600L Outline Drawing



Other Industrial Products

SWS	50 - 300W Single Output
HWS	15 - 1800W Single output, high reliability
ZWS	5 - 240W pcb style single, output
DLP, DPP, DSP	10 - 480W DIN Rail mount
LS	25 - 200W Single output, low cost

For Additional Information, please visit us.tdk-lambda.com/lp/products/sws-series.htm

