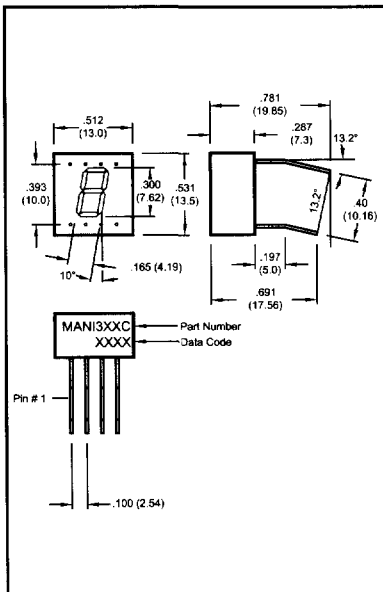


0.3" Single Digit Display 13.2 Degree Seating Plate									
Part Number	Description	Source Color	Wave-length λ (nm)	Segment Color	Face Color	Forward Voltage V_F (V)		Luminous Intensity I_V (μ cd)	
						typ	max	min	typ
MANI3110C	Common Anode; RHDP		697	White	Grey	2.1	2.6	300	700
MANI3210C	Common Anode; RHDP		660	White	Grey	1.8	2.5	1000	5000
MANI3410C	Common Anode; RHDP		570	White	Grey	2.1	2.8	800	2200
MANI3910C	Common Anode; RHDP		635	White	Grey	2.0	2.8	900	2200



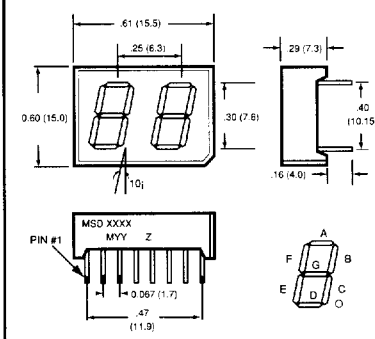
	Part Number	Notes
	MANI3110C	4, 33, 35
	MANI3210C	4, 33, 35
	MANI3410C	4, 33, 35
	MANI3110C	4, 33, 35

Notes:

- 4. V_F & I_V @ $I_F = 20$ mA.
- 26. MSDXXXX represents the product part number, MYY is the date code, Z refers to the light intensity category for the product.
- 33. MANI3XX represents the product part number, MYY is the product date code, Z refers to the light intensity category for the product.
- 35. See font detail on right.

NUMERIC SEGMENTED DISPLAYS

0.3" Dual Digit Stick Displays (Direct Drive)									
Part Number	Description	Source Color	Wave-length λ (nm)	Segment Color	Face Color	Forward Voltage V_F (V)		Luminous Intensity I_V (μ cd)	
						typ	max	min	typ
MSD314C	Common Anode		697	White	Grey	2.1	2.6	210	650
MSD315C	Common Cathode								
MSD344C	Common Anode		570	White	Grey	2.1	2.8	540	1600
MSD345C	Common Cathode								
MSD394C	Common Anode								
MSD395C	Common Cathode		635	White	Grey	2.0	2.8	800	2200



	Part Number	Notes
	MSD314C	4, 26
	MSD315C	4, 26
	MSD344C	4, 26
	MSD345C	4, 26
	MSD394C	4, 26
	MSD395C	4, 26