










PRODUCT DATASHEET

4VA LOW PROFILE ENCAPSULATED TRANSFORMER



-  Independantly Approved to
EN60950 UL506 cUL506 & CSA 22.2
-  CE Marked
-  Dual 115V Primaries
-  Comprehensive choice of secondary voltages
-  5KV Isolation between primary and secondary windings.
-  UL94-V0 Vacuum Encapsulated Construction
-  Suitable for flow soldering
-  Identical footprint from 2VA to 9VA

Weight	0.145	Kg	
Typical Regulation	30	%	
Frequency	50/60	Hz	
Max Ambient	40	°C	
Bobbin Material	UL94-V0	"B" 130 °C	

Part No	Primary	Secondary	Secondary Fuse
D2088	115+115	6+6	0.315AT
D2089	115+115	9+9	0.200AT
D2090	115+115	12+12	0.160AT
D2796	115+115	18+18	0.125AT
D2797	115+115	24+24	0.080AT

Please see sheet 2 for outline drawing and connection info.

DAGNALL ELECTRONICS LIMITED

Shuttleworth Road, Elms Industrial Estate, Bedford. MK41 0EP UK

TEL +44(0)1234 330077 FAX +44(0)1234 330088

E-mail sales@dagnall-electronics.com

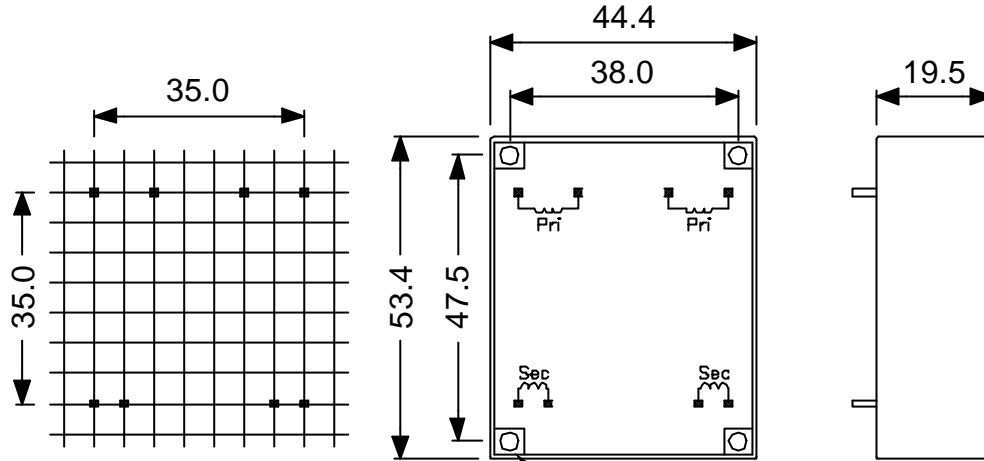
Issue 1. 25/10/02

2 of 2

PRODUCT DATASHEET

4VA Approved Low Profile Encapsulated Transformer

Outline Drawing



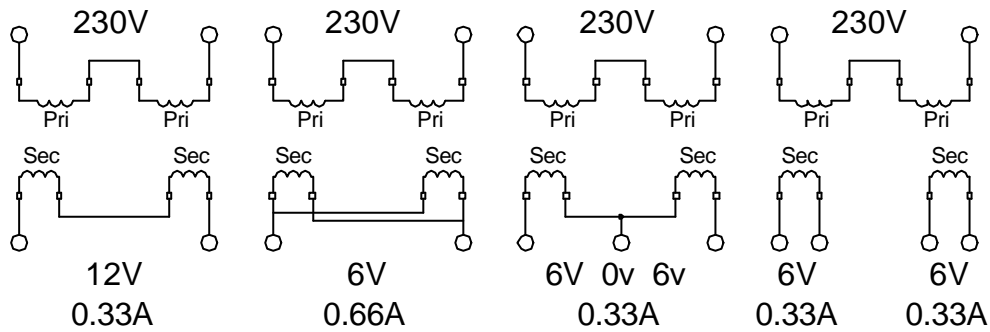
5mm pin grid

PCB Pins 0.635mm sq

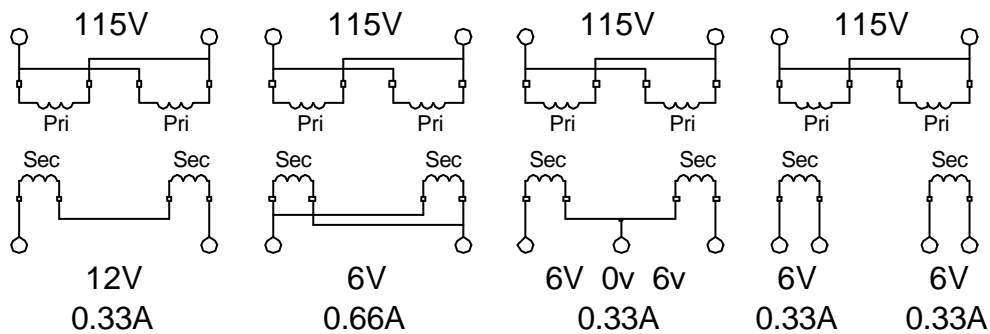
Pin length 5.0mm Hole size 1.0mm

4 off No6 x 9.5mm fixings

Connection Diagrams for D2088 - 230V supply



Connection Diagrams for D2088 - 115V supply



THIS DOCUMENT IS THE PROPERTY OF DAGNALL ELECTRONICS LIMITED WHICH HOLDS THE COPYRIGHT IN THE DRAWING AND ALL THE DESIGN RIGHTS IN THE PRODUCT OR COMPONENTS DESCRIBED. ANY INFORMATION SHALL NOT BE COPIED, REPRODUCED OR DIVULGED TO A THIRD PARTY NOR SHALL THE PRODUCT OR COMPONENTS BE MADE, COPIED OR REPRODUCED OR ITS EXISTENCE DISCLOSED TO A THIRD PARTY WITHOUT THE PRIOR CONSENT IN WRITING OF DAGNALL ELECTRONICS LIMITED. IN THE INTEREST OF TECHNICAL IMPROVEMENTS AND/OR CUSTOMER SERVICE DAGNALL ELECTRONICS RESERVES THE RIGHT TO INTRODUCE MODIFIED SPECIFICATIONS TO ANY OF THE PRODUCTS ILLUSTRATED OR DESCRIBED IN THIS DATASHEET. E&OE.