

Features

- Temperature Ranges
 - Automotive-E: -40 °C to 125 °C
- 4.5 V to 5.5 V operation
- Complementary metal oxide semiconductor (CMOS) for optimum speed/power
- Low active power
137.5 mW (max.) (25 mA)
- Low standby power
137.5 μW (max.) (25 μA)
- Automatic power-down when deselected
- TTL-compatible inputs and outputs
- Easy memory expansion with \overline{CE}_1 , CE_2 , and \overline{OE} options
- Available in Pb-free 32-pin (450 mil-wide) small outline integrated circuit (SOIC) package

Functional Description

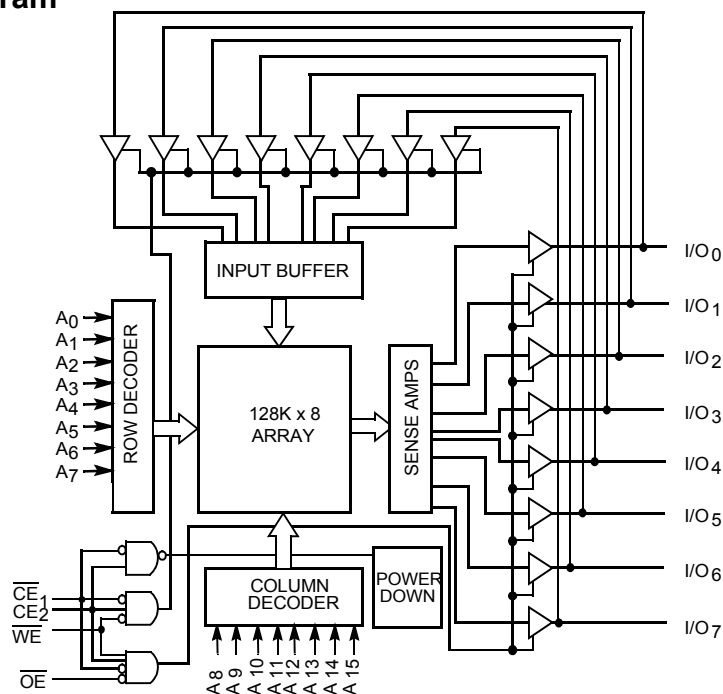
The CY621282BN is a high-performance CMOS static RAM organized as 128K words by 8 bits. Easy memory expansion is provided by an active LOW Chip Enable (\overline{CE}_1), an active HIGH Chip Enable (CE_2), and active LOW Output Enable (\overline{OE}). This device has an automatic power-down feature that reduces power consumption by more than 75% when deselected.

Writing to the device is accomplished by taking Chip Enable One (\overline{CE}_1) and Write Enable (\overline{WE}) inputs LOW and Chip Enable Two (CE_2) input HIGH. Data on the eight I/O pins (I/O_0 through I/O_7) is then written into the location specified on the address pins (A_0 through A_{16}).

Reading from the device is accomplished by taking Chip Enable One (\overline{CE}_1) and Output Enable (\overline{OE}) LOW while forcing Write Enable (\overline{WE}) and Chip Enable Two (CE_2) HIGH. Under these conditions, the contents of the memory location specified by the address pins will appear on the I/O pins.

The eight input/output pins (I/O_0 through I/O_7) are placed in a high-impedance state when the device is deselected (\overline{CE}_1 HIGH or CE_2 LOW), the outputs are disabled (\overline{OE} HIGH), or during a write operation (\overline{CE}_1 LOW, CE_2 HIGH, and \overline{WE} LOW).

Logic Block Diagram



Contents

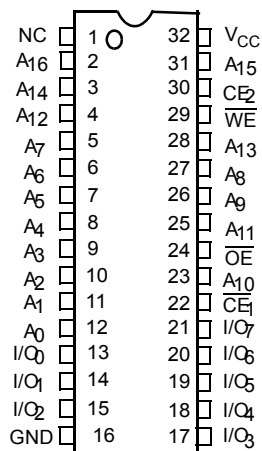
Product Portfolio	3	Truth Table	10
Pin Configuration	3	Ordering Information	10
Pin Definitions	3	Ordering Code Definitions	10
Maximum Ratings	4	Package Diagrams	11
Operating Range	4	Acronyms	12
Electrical Characteristics	4	Document Conventions	12
Capacitance	5	Units of Measure	12
Thermal Resistance	5	Document History Page	13
AC Test Loads and Waveforms	5	Sales, Solutions, and Legal Information	14
Data Retention Waveform	6	Worldwide Sales and Design Support	14
Data Retention Characteristics	6	Products	14
Switching Characteristics	7	PSoC Solutions	14
Switching Waveforms	8		

Product Portfolio

Product		V _{CC} Range (V)			Speed (ns)	Power Dissipation			
						Operating, I _{CC} (mA)		Standby, I _{SB2} (μA)	
		Min	Typ ^[1]	Max		Typ ^[1]	Max	Typ ^[1]	Max
CY621282BN	Automotive-E	4.5	5.0	5.5	70	6	25	2.5	25

Pin Configuration

Figure 1. 32-pin SOIC (Top View)



Pin Definitions

I/O Type	Description
Input	A₀–A₁₆ . Address inputs
Input/output	I/O₀–I/O₇ . Data lines. Used as input or output lines depending on operation.
Input/control	WE . Write Enable, Active LOW. When selected LOW, a WRITE is conducted. When selected HIGH, a READ is conducted.
Input/control	CE₁ . Chip Enable 1, Active LOW.
Input/control	CE₂ . Chip Enable 2, Active HIGH.
Input/control	OE . Output Enable, Active LOW. Controls the direction of the I/O pins. When LOW, the I/O pins behave as outputs. When deasserted HIGH, I/O pins are tri-stated, and act as input data pins.
Ground	GND . Ground for the device.
Power supply	V_{CC} . Power supply for the device.

Note

1. Typical values are included for reference only and are not tested or guaranteed. Typical values are measured at V_{CC} = 5.0 V, T_A = 25 °C.

Maximum Ratings

Exceeding maximum ratings may impair the useful life of the device. These user guidelines are not tested.

Storage temperature -65 °C to +150 °C

Ambient temperature with power applied -55 °C to +125 °C

Supply voltage on V_{CC} to relative GND^[2] -0.5 V to +7.0 V

DC voltage applied to outputs in High Z state ^[2] -0.5 V to $V_{CC} + 0.5$ V

DC input voltage ^[2, 3] -0.5 V to $V_{CC} + 0.5$ V

Current into outputs (LOW) 20 mA

Static discharge voltage > 2001 V (per MIL-STD-883, Method 3015)

Latch-up current > 200 mA

Operating Range

Range	Ambient Temperature	V_{CC}
Automotive-E	-40 °C to +125 °C	5 V ± 10%

Electrical Characteristics

Over the Operating Range

Parameter	Description	Test Conditions	-70			Unit	
			Min	Typ ^[4]	Max		
V_{OH}	Output HIGH voltage	$V_{CC} = 4.5$ V, $I_{OH} = -1.0$ mA	2.4	–	–	V	
		$V_{CC} = 5.5$ V, $I_{OH} = -0.1$ mA	3.95	–	–		
		$V_{CC} = 5$ V, $I_{OH} = -0.1$ mA	3.6	–	–		
		$V_{CC} = 4.5$ V, $I_{OH} = -0.1$ mA	3.25	–	–		
V_{OL}	Output LOW voltage	$V_{CC} = 4.5$ V, $I_{OL} = 2.1$ mA	–	–	0.4	V	
V_{IH}	Input HIGH voltage		2.2	–	$V_{CC} + 0.3$	V	
V_{IL}	Input LOW voltage ^[2]		-0.3	–	0.8	V	
I_{IX}	Input leakage current	$GND \leq V_I \leq V_{CC}$	-10	–	+10	µA	
I_{OZ}	Output leakage current	$GND \leq V_I \leq V_{CC}$, Output Disabled	-10	–	+10	µA	
I_{CC}	V_{CC} operating supply current	$f = f_{MAX} = 1/t_{RC}$ $f = 1$ MHz	$V_{CC} = 5.5$ V, $I_{OUT} = 0$ mA	–	6	25	mA
				–	2	12	
I_{SB1}	Automatic CE power-down current —TTL inputs	$V_{CC} = 5.5$ V, $CE_1 \geq V_{IH}$ or $CE_2 \leq V_{IL}$, $V_{IN} \geq V_{IH}$ or $V_{IN} \leq V_{IL}$, $f = f_{MAX}$	–	0.1	2	mA	
I_{SB2}	Automatic CE power-down current —CMOS inputs	$V_{CC} = 5.5$ V, $CE_1 \geq V_{CC} - 0.3$ V, or $CE_2 \leq 0.3$ V, $V_{IN} \geq V_{CC} - 0.3$ V, or $V_{IN} \leq 0.3$ V, $f = 0$	–	2.5	25	µA	

Notes

2. V_{IL} (min.) = -2.0 V for pulse durations of less than 20 ns.

3. No input may exceed $V_{CC} + 0.5$ V.

4. Typical values are included for reference only and are not tested or guaranteed. Typical values are measured at $V_{CC} = 5.0$ V, $T_A = 25$ °C.

Capacitance

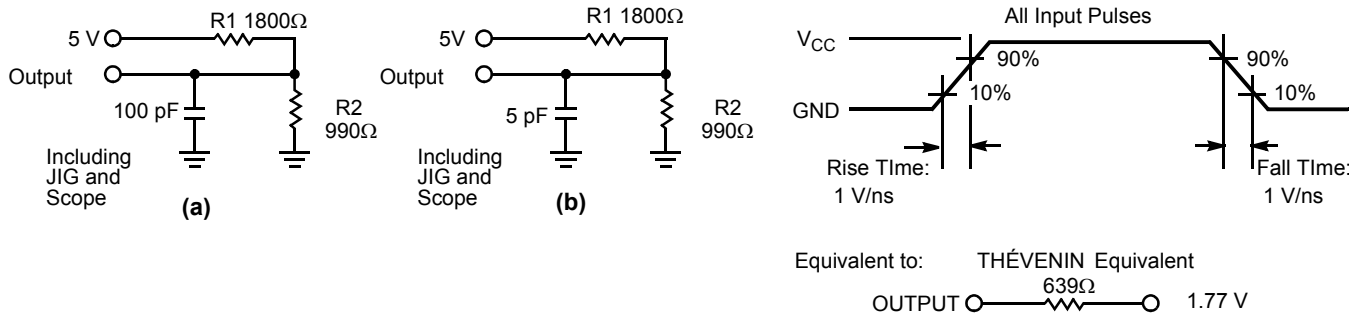
Parameter ^[5]	Description	Test Conditions	Max	Unit
C _{IN}	Input capacitance	T _A = 25 °C, f = 1 MHz, V _{CC} = 5.0 V	9	pF
C _{OUT}	Output capacitance		9	pF

Thermal Resistance

Parameter ^[5]	Description	Test Conditions	32-pin SOIC	Unit
Θ _{JA}	Thermal resistance (junction to ambient)	Test conditions follow standard test methods and procedures for measuring thermal impedance, per EIA / JESD51.	66.17	°C/W
Θ _{JC}	Thermal resistance (junction to case)		30.87	°C/W

AC Test Loads and Waveforms

Figure 2. AC Test Loads and Waveforms



Note

5. Tested initially and after any design or process changes that may affect these parameters.

Data Retention Waveform

Figure 3. Data Retention Waveform



Data Retention Characteristics

Over the Operating Range

Parameter	Description	Conditions	Min	Typ	Max	Unit
V_{DR}	V_{CC} for data retention		2.0	–	–	V
I_{CCDR}	Data retention current	$V_{CC} = V_{DR} = 2.0\text{ V}$, $CE_1 \geq V_{CC} - 0.3\text{ V}$, or $CE_2 \leq 0.3\text{ V}$, $V_{IN} \geq V_{CC} - 0.3\text{ V}$ or, $V_{IN} \leq 0.3\text{ V}$	–	1.5	25	μA
t_{CDR}	Chip deselect to data retention time		0	–	–	ns
t_R	Operation recovery time		70	–	–	ns

Switching Characteristics

Over the Operating Range

Parameter ^[6]	Description	CY621282BN-70		Unit
		Min	Max	
Read Cycle				
t_{RC}	Read cycle time	70	–	ns
t_{AA}	Address to data valid	–	70	ns
t_{OHA}	Data hold from address change	5	–	ns
t_{ACE}	\overline{CE}_1 LOW to data valid, CE_2 HIGH to data valid	–	70	ns
t_{DOE}	\overline{OE} LOW to data valid	–	35	ns
t_{LZOE}	\overline{OE} LOW to Low Z ^[7]	0	–	ns
t_{HZOE}	\overline{OE} HIGH to High Z ^[7, 8]	–	25	ns
t_{LZCE}	\overline{CE}_1 LOW to Low Z, CE_2 HIGH to Low Z ^[7]	5	–	ns
t_{HZCE}	\overline{CE}_1 HIGH to High Z, CE_2 LOW to High Z ^[7, 8]	–	25	ns
t_{PU}	\overline{CE}_1 LOW to Power-up, CE_2 HIGH to power-up	0	–	ns
t_{PD}	\overline{CE}_1 HIGH to Power-down, CE_2 LOW to power-down	–	70	ns
Write Cycle ^[9]				
t_{WC}	Write cycle time	70	–	ns
t_{SCE}	\overline{CE}_1 LOW to Write End, CE_2 HIGH to write end	60	–	ns
t_{AW}	Address set-up to write end	60	–	ns
t_{HA}	Address hold from write end	0	–	ns
t_{SA}	Address set-up to write start	0	–	ns
t_{PWE}	\overline{WE} pulse width	50	–	ns
t_{SD}	Data set-up to write end	30	–	ns
t_{HD}	Data Hold from write end	0	–	ns
t_{LZWE}	\overline{WE} HIGH to Low Z ^[7]	5	–	ns
t_{HZWE}	\overline{WE} LOW to High Z ^[7, 8]	–	25	ns

Notes

- Test conditions assume signal transition time of 5 ns or less, timing reference levels of 1.5 V, input pulse levels of 0 to 3.0 V, and output loading of the specified I_{OL}/I_{OH} and 100-pF load capacitance.
- At any given temperature and voltage condition, t_{HZCE} is less than t_{LZCE} , t_{HZOE} is less than t_{LZOE} , and t_{HZWE} is less than t_{LZWE} for any given device.
- t_{HZOE} , t_{HZCE} , and t_{HZWE} are specified with a load capacitance of 5 pF as in (b) of [Figure 2 on page 5](#). Transition is measured ± 500 mV from steady-state voltage.
- The internal write time of the memory is defined by the overlap of \overline{CE}_1 LOW, CE_2 HIGH, and \overline{WE} LOW. \overline{CE}_1 and \overline{WE} must be LOW and CE_2 HIGH to initiate a write, and the transition of any of these signals can terminate the write. The input data set-up and hold timing should be referenced to the leading edge of the signal that terminates the write.

Switching Waveforms

Figure 4. Read Cycle No.1 [10, 11]

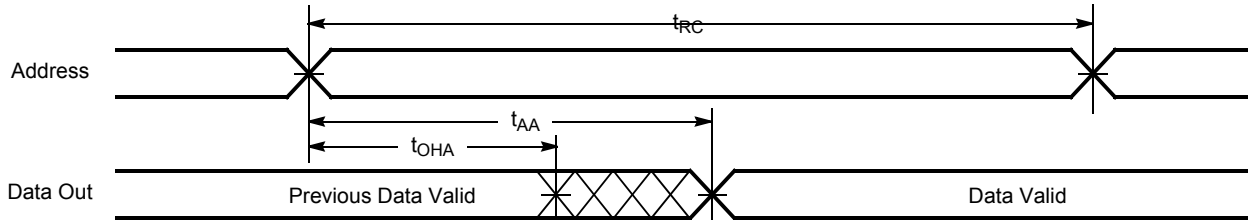


Figure 5. Read Cycle No. 2 (\overline{OE} Controlled) [11, 12]

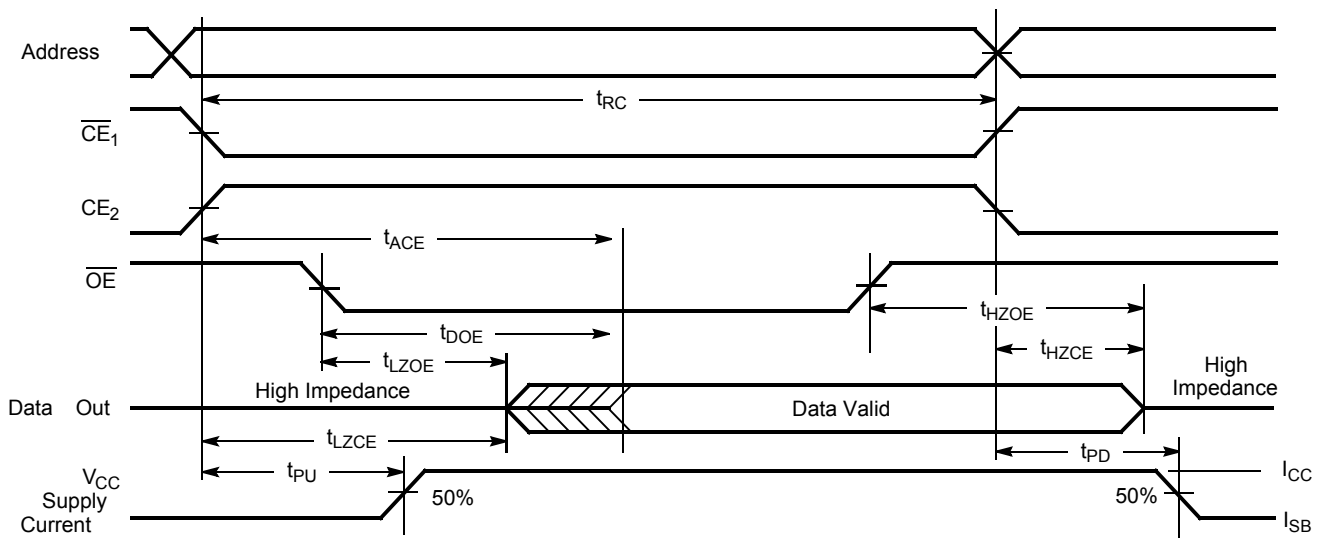
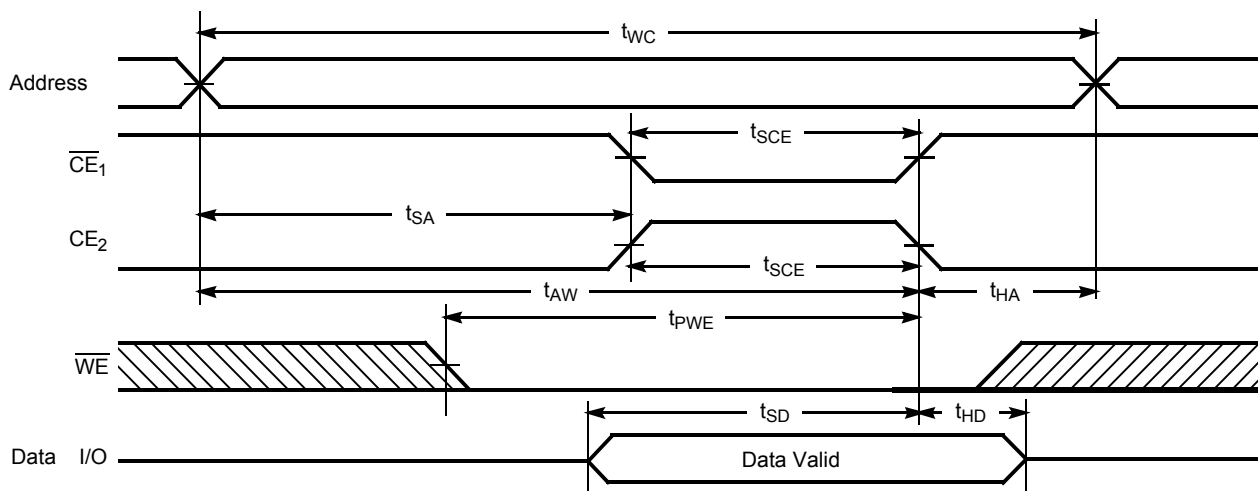


Figure 6. Write Cycle No. 1 (\overline{CE}_1 or CE_2 Controlled) [13, 14]



Notes

- 10. Device is continuously selected. \overline{OE} , $\overline{CE}_1 = V_{IL}$, $CE_2 = V_{IH}$.
- 11. \overline{WE} is HIGH for read cycle.
- 12. Address valid prior to or coincident with \overline{CE}_1 transition LOW and CE_2 transition HIGH.
- 13. Data I/O is high impedance if $\overline{OE} = V_{IH}$.
- 14. If \overline{CE}_1 goes HIGH or CE_2 goes LOW simultaneously with \overline{WE} going HIGH, the output remains in a high-impedance state.

Switching Waveforms (continued)

Figure 7. Write Cycle No. 2 (\overline{WE} Controlled, \overline{OE} HIGH during Write) [15, 16]

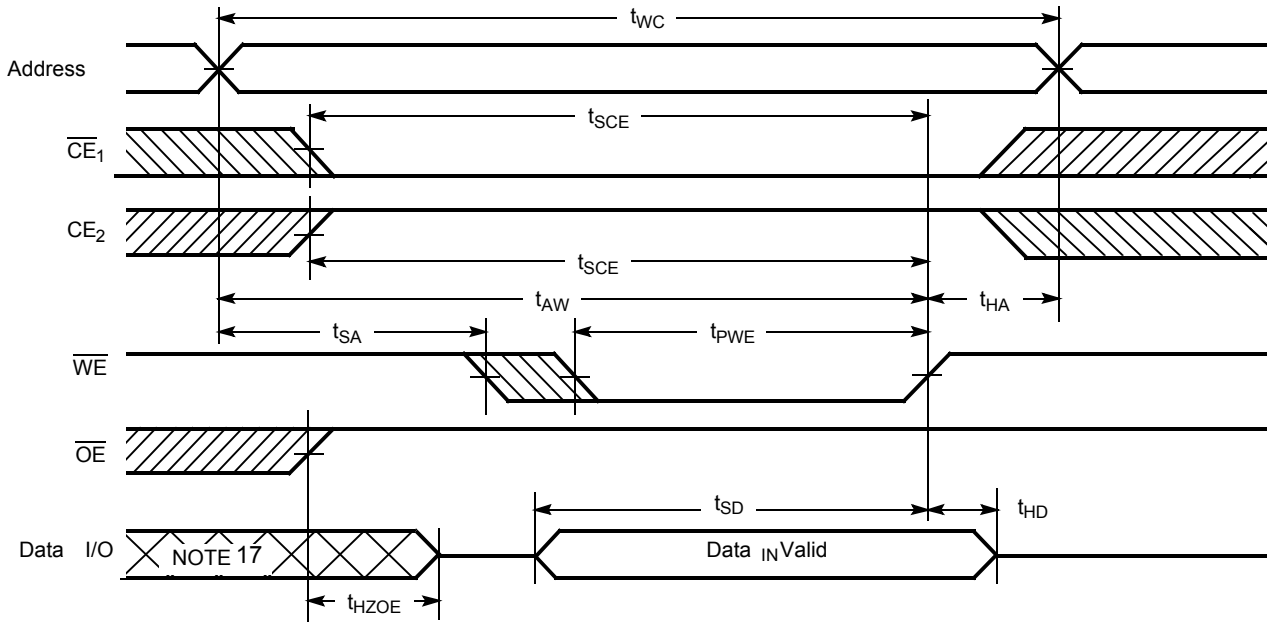
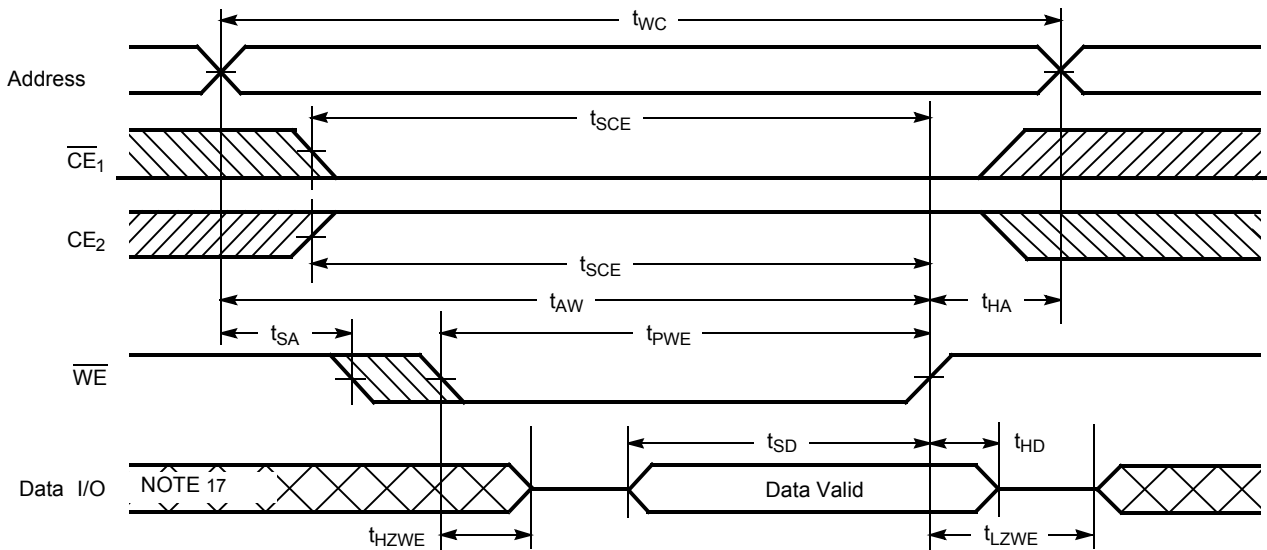


Figure 8. Write Cycle No. 3 (\overline{WE} Controlled, \overline{OE} LOW) [15, 16]



Notes

- 15. Data I/O is high impedance if $\overline{OE} = V_{IH}$.
- 16. If \overline{CE}_1 goes HIGH or CE_2 goes LOW simultaneously with \overline{WE} going HIGH, the output remains in a high-impedance state.
- 17. During this period the I/Os are in the output state and input signals should not be applied.

Truth Table

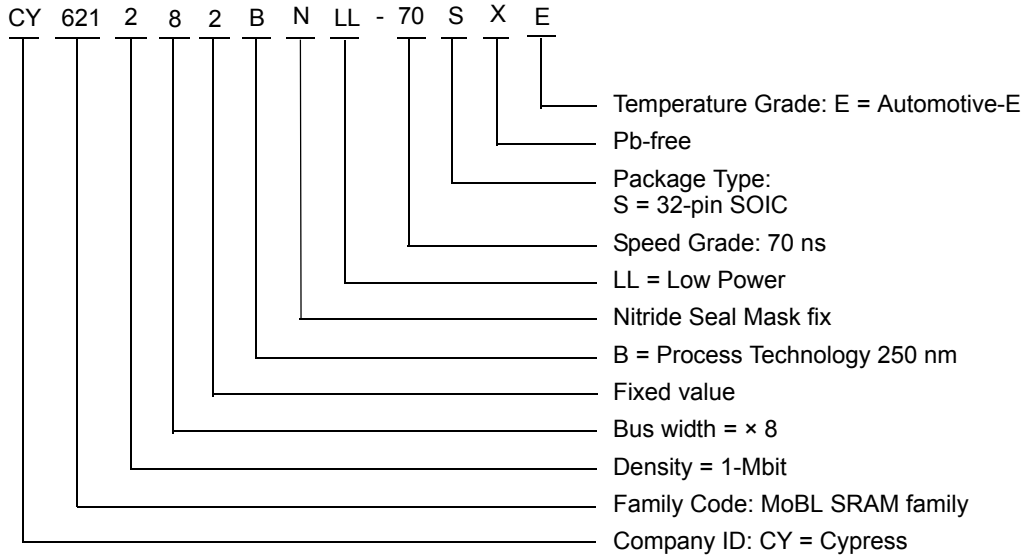
\overline{CE}_1	\overline{CE}_2	\overline{OE}	\overline{WE}	I/O ₀ –I/O ₇	Mode	Power
H	X	X	X	High Z	Power-down	Standby (I _{SB})
X	L	X	X	High Z	Power-down	Standby (I _{SB})
L	H	L	H	Data out	Read	Active (I _{CC})
L	H	X	L	Data in	Write	Active (I _{CC})
L	H	H	H	High Z	Selected, Outputs disabled	Active (I _{CC})

Ordering Information

Speed (ns)	Ordering Code	Package Diagram	Package Type	Operating Range
70	CY621282BNLL-70SX E	51-85081	32-pin 450-Mil SOIC (Pb-free)	Automotive-E

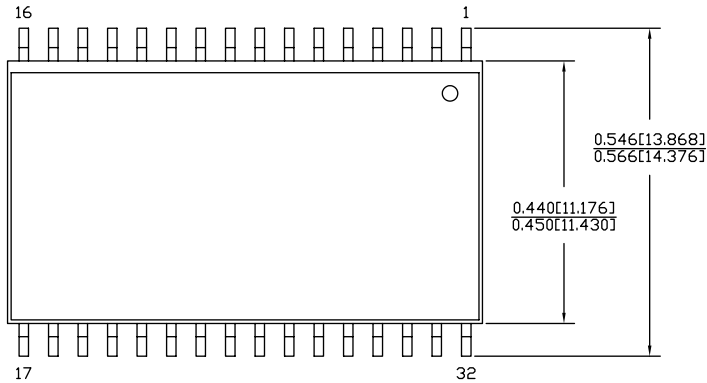
Please contact your local Cypress sales representative for availability of these parts.

Ordering Code Definitions



Package Diagrams

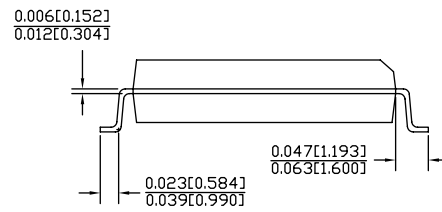
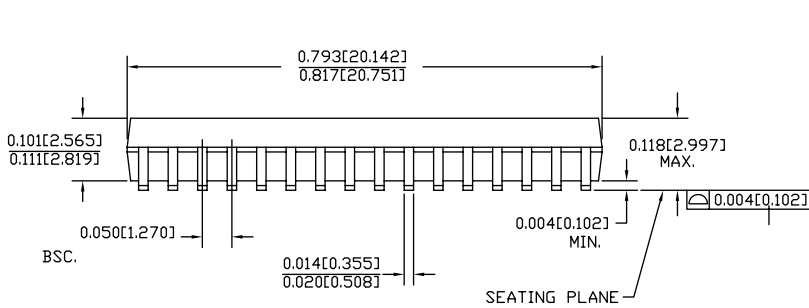
Figure 9. 32-pin Molded SOIC (450 Mil) S32.45/SZ32.45, 51-85081



DIMENSIONS IN INCHES[MM] MIN.
MAX.

PACKAGE WEIGHT 1.42gms

PART #	
S32.45	STANDARD PKG.
SZ32.45	LEAD FREE PKG.



51-85081 °C

Acronyms

Acronym	Description
CE	chip enable
CMOS	complementary metal oxide semiconductor
I/O	input/output
OE	output enable
SOIC	small outline integrated circuit
SRAM	static random access memory
TTL	transistor-transistor logic
WE	write enable

Document Conventions

Units of Measure

Symbol	Unit of Measure
°C	degree Celsius
MHz	Mega Hertz
μA	micro Amperes
μs	micro seconds
mA	milli Amperes
mV	milli Volts
mW	milli Watts
ns	nano seconds
Ω	ohms
%	percent
pF	pico Farad
V	Volts
W	Watts

Document History Page

Document Title: CY621282BN MoBL [®] Automotive, 1-Mbit (128 K × 8) Static RAM				
Document Number: 001-65526				
REV.	ECN NO.	Issue Date	Orig. of Change	Description of Change
**	3115909	01/06/2011	RAME	New Data Sheet
*A	3288690	06/21/2011	RAME	Removed the Note “For best-practice recommendations, please refer to the Cypress application note “System Design Guidelines” on http://www.cypress.com .” and its reference in Functional Description . Updated in new template.

Sales, Solutions, and Legal Information

Worldwide Sales and Design Support

Cypress maintains a worldwide network of offices, solution centers, manufacturer's representatives, and distributors. To find the office closest to you, visit us at [Cypress Locations](#).

Products

Automotive	cypress.com/go/automotive
Clocks & Buffers	cypress.com/go/clocks
Interface	cypress.com/go/interface
Lighting & Power Control	cypress.com/go/powerpsoc cypress.com/go/plc
Memory	cypress.com/go/memory
Optical & Image Sensing	cypress.com/go/image
PSoC	cypress.com/go/psoc
Touch Sensing	cypress.com/go/touch
USB Controllers	cypress.com/go/USB
Wireless/RF	cypress.com/go/wireless

PSoC Solutions

psoc.cypress.com/solutions
PSoC 1 | PSoC 3 | PSoC 5

© Cypress Semiconductor Corporation, 2011. The information contained herein is subject to change without notice. Cypress Semiconductor Corporation assumes no responsibility for the use of any circuitry other than circuitry embodied in a Cypress product. Nor does it convey or imply any license under patent or other rights. Cypress products are not warranted nor intended to be used for medical, life support, life saving, critical control or safety applications, unless pursuant to an express written agreement with Cypress. Furthermore, Cypress does not authorize its products for use as critical components in life-support systems where a malfunction or failure may reasonably be expected to result in significant injury to the user. The inclusion of Cypress products in life-support systems application implies that the manufacturer assumes all risk of such use and in doing so indemnifies Cypress against all charges.

Any Source Code (software and/or firmware) is owned by Cypress Semiconductor Corporation (Cypress) and is protected by and subject to worldwide patent protection (United States and foreign), United States copyright laws and international treaty provisions. Cypress hereby grants to licensee a personal, non-exclusive, non-transferable license to copy, use, modify, create derivative works of, and compile the Cypress Source Code and derivative works for the sole purpose of creating custom software and or firmware in support of licensee product to be used only in conjunction with a Cypress integrated circuit as specified in the applicable agreement. Any reproduction, modification, translation, compilation, or representation of this Source Code except as specified above is prohibited without the express written permission of Cypress.

Disclaimer: CYPRESS MAKES NO WARRANTY OF ANY KIND, EXPRESS OR IMPLIED, WITH REGARD TO THIS MATERIAL, INCLUDING, BUT NOT LIMITED TO, THE IMPLIED WARRANTIES OF MERCHANTABILITY AND FITNESS FOR A PARTICULAR PURPOSE. Cypress reserves the right to make changes without further notice to the materials described herein. Cypress does not assume any liability arising out of the application or use of any product or circuit described herein. Cypress does not authorize its products for use as critical components in life-support systems where a malfunction or failure may reasonably be expected to result in significant injury to the user. The inclusion of Cypress' product in a life-support systems application implies that the manufacturer assumes all risk of such use and in doing so indemnifies Cypress against all charges.

Use may be limited by and subject to the applicable Cypress software license agreement.