



# ±15kV ESD-Protected, 1µA, 1Mbps, 3.0V to 5.5V, RS-232 Transceivers with AutoShutdown Plus

## General Description

The MAX3224E/MAX3225E/MAX3226E/MAX3227E/MAX3244E/MAX3245E are 3V-powered EIA/TIA-232 and V.28/V.24 communications interfaces with automatic shutdown/wakeup features, high data-rate capabilities, and enhanced electrostatic discharge (ESD) protection. All transmitter outputs and receiver inputs are protected to ±15kV using IEC 1000-4-2 Air-Gap Discharge, ±8kV using IEC 1000-4-2 Contact Discharge, and ±15kV using the Human Body Model.

All devices achieve a 1µA supply current using Maxim's revolutionary AutoShutdown Plus™ feature. These devices automatically enter a low-power shutdown mode when the RS-232 cable is disconnected or the transmitters of the connected peripherals are inactive, and the UART driving the transmitter inputs is inactive for more than 30 seconds. They turn on again when they sense a valid transition at any transmitter or receiver input. AutoShutdown Plus saves power without changes to the existing BIOS or operating system.

The MAX3225E/MAX3227E/MAX3245E also feature MegaBaud™ operation, guaranteeing 1Mbps for high-speed applications such as communicating with ISDN modems. The MAX3224E/MAX3226E/MAX3244E guarantee 250kbps operation. The transceivers have a proprietary low-dropout transmitter output stage enabling true RS-232 performance from a +3.0V to +5.5V supply with a dual charge pump. The charge pump requires only four small 0.1µF capacitors for operation from a 3.3V supply. The MAX3224E-MAX3227E feature a logic-level output (READY) that asserts when the charge pump is regulating and the device is ready to begin transmitting.

All devices are available in a space-saving TQFN, SSOP, and TSSOP (MAX3224E/MAX3225E/MAX3244E/MAX3245E) packages.

## Applications

Notebook, Subnotebook, and Palmtop Computers  
Cellular Phones  
Battery-Powered Equipment  
Hand-Held Equipment  
Peripherals  
Printers

*AutoShutdown Plus, MegaBaud, and UCSP are trademarks of Maxim Integrated Products, Inc.*

## Next Generation Device Features

- ◆ **For Space-Constrained Applications:**  
MAX3228E/MAX3229E: ±15kV ESD-Protected, +2.5V to +5.5V, RS-232 Transceivers in UCSP™  
MAX3222E/MAX3232E/MAX3241E/MAX3246E: ±15kV ESD-Protected, Down to 10nA, +3.0V to +5.5V, Up to 1Mbps, True RS-232 Transceivers (MAX3246E Available in UCSP)
- ◆ **For Low-Voltage or Data Cable Applications:**  
MAX3380E/MAX3381E: +2.35V to +5.5V, 1µA, 2Tx/2Rx RS-232 Transceivers with ±15kV ESD-Protected I/O and Logic Pins

## Ordering Information

PART	TEMP RANGE	PIN PKG	PKG CODE
MAX3224ECTP	0°C to +70°C	20 TQFN-EP*	T2055-5
MAX3224ECUP	0°C to +70°C	20 TSSOP	—
MAX3224ECAP	0°C to +70°C	20 SSOP	—
MAX3224ECPD	0°C to +70°C	20 Plastic DIP	—
MAX3224EETP	-40°C to +85°C	20 TQFN-EP*	T2055-5
MAX3224EEUP	-40°C to +85°C	20 TSSOP	—
MAX3224EEAP	-40°C to +85°C	20 SSOP	—
MAX3224EEDD	-40°C to +85°C	20 Plastic DIP	—
MAX3224EAAP	-40°C to +125°C	20 SSOP	—

\*EP = Exposed paddle.

Ordering Information continued at end of data sheet.

## Selector Guide

PART	NO. OF DRIVERS/RECEIVERS	GUARANTEED DATA RATE (bps)	READY OUTPUT	Auto-Shutdown Plus
MAX3224E	2/2	250k	✓	✓
MAX3225E	2/2	1M	✓	✓
MAX3226E	1/1	250k	✓	✓
MAX3227E	1/1	1M	✓	✓
MAX3244E	3/5	250k	—	✓
MAX3245E	3/5	1M	—	✓



# ±15kV ESD-Protected, 1µA, 1Mbps, 3.0V to 5.5V, RS-232 Transceivers with AutoShutdown Plus

## ABSOLUTE MAXIMUM RATINGS

V <sub>CC</sub> to GND .....	-0.3V to +6V	20-Pin TQFN (derate 21.3mW/°C above +70°C) ....	1702.1mW
V <sub>+</sub> to GND (Note 1) .....	-0.3V to +7V	20-Pin Plastic DIP (derate 11.11mW/°C above +70°C) ...	889mW
V <sub>-</sub> to GND (Note 1) .....	+0.3V to -7V	20-Pin SSOP (derate 8.00mW/°C above +70°C) .....	640mW
V <sub>+</sub> +  V <sub>-</sub>   (Note 1) .....	+13V	20-Pin TSSOP (derate 10.9mW/°C above +70°C) .....	879mW
Input Voltages		28-Pin Wide SO (derate 12.5mW/°C above +70°C).....	1W
T <sub>IN</sub> , FORCEON, FORCEOFF to GND .....	-0.3V to +6V	28-Pin SSOP (derate 9.52mW/°C above +70°C) .....	762mW
R <sub>IN</sub> to GND .....	±25V	28-Pin TSSOP (derate 12.8mW/°C above +70°C) .....	1026mW
Output Voltages		36-Pin TQFN (derate 26.3mW/°C above +70°C).....	2105mW
T <sub>OUT</sub> to GND.....	±13.2V	Operating Temperature Ranges	
R <sub>OUT</sub> , INVALID, READY to GND .....	-0.3V to (V <sub>CC</sub> + 0.3V)	MAX32_ _EC_ _ .....	0°C to +70°C
Short-Circuit Duration		MAX32_ _EE_ _ .....	-40°C to +85°C
T <sub>OUT</sub> to GND .....	Continuous	MAX32_ _EAA_ .....	-40°C to +125°C
Continuous Power Dissipation (T <sub>A</sub> = +70°C)		Storage Temperature Range .....	-65°C to +160°C
16-Pin SSOP (derate 7.14mW/°C above +70°C) .....	571mW	Lead Temperature (soldering, 10s) .....	+300°C
16-Pin TSSOP (derate 9.4mW/°C above +70°C) .....	754.7mW		
16-Pin TQFN (derate 20.8mW/°C above +70°C) ....	1666.7mW		

**Note 1:** V<sub>+</sub> and V<sub>-</sub> can have maximum magnitudes of 7V, but their absolute difference cannot exceed 13V.

Stresses beyond those listed under "Absolute Maximum Ratings" may cause permanent damage to the device. These are stress ratings only, and functional operation of the device at these or any other conditions beyond those indicated in the operational sections of the specifications is not implied. Exposure to absolute maximum rating conditions for extended periods may affect device reliability.

## ELECTRICAL CHARACTERISTICS

(V<sub>CC</sub> = +3V to +5.5V, C<sub>1</sub>–C<sub>4</sub> = 0.1µF, tested at 3.3V ±10%; C<sub>1</sub> = 0.047µF, C<sub>2</sub>–C<sub>4</sub> = 0.33µF, tested at 5.0V ±10%; T<sub>A</sub> = T<sub>MIN</sub> to T<sub>MAX</sub>, unless otherwise noted. Typical values are at T<sub>A</sub> = +25°C.)

PARAMETER	SYMBOL	CONDITIONS	MIN	TYP	MAX	UNITS	
<b>DC CHARACTERISTICS</b> (V <sub>CC</sub> = 3.3V or 5.0V, T <sub>A</sub> = +25°C)							
Supply Current, AutoShutdown Plus		FORCEON = GND, FORCEOFF = V <sub>CC</sub> , all R <sub>IN</sub> idle, all T <sub>IN</sub> idle		1	10	µA	
Supply Current, Shutdown		FORCEOFF = GND		1	10	µA	
Supply Current, AutoShutdown Plus Disabled		FORCEON = FORCEOFF = V <sub>CC</sub> , no load		0.3	1	mA	
<b>LOGIC INPUTS AND RECEIVER OUTPUTS</b>							
Input Logic Threshold Low		T <sub>IN</sub> , FORCEON, FORCEOFF			0.8	V	
Input Logic Threshold High		T <sub>IN</sub> , FORCEON, FORCEOFF	V <sub>CC</sub> = 3.3V	2		V	
			V <sub>CC</sub> = 5.0V	2.4			
Transmitter Input Hysteresis				0.5		V	
Input Leakage Current		T <sub>IN</sub> , FORCEON, FORCEOFF		±0.01	±1	µA	
Output Leakage Current		R <sub>OUT</sub> (MAX3244E/MAX3245E), receivers disabled		±0.05	±10	µA	
Output Voltage Low		I <sub>OUT</sub> = 1.6mA			0.4	V	
Output Voltage High		I <sub>OUT</sub> = -1.0mA	V <sub>CC</sub> - 0.6		V <sub>CC</sub> - 0.1	V	
<b>RECEIVER INPUTS</b>							
Input Voltage Range			-25		+25	V	
Input Threshold Low		T <sub>A</sub> = +25°C	V <sub>CC</sub> = 3.3V	0.6	1.2	V	
			V <sub>CC</sub> = 5.0V	0.8	1.5		
Input Threshold High		T <sub>A</sub> = +25°C	V <sub>CC</sub> = 3.3V		1.5	2.4	V
			V <sub>CC</sub> = 5.0V		1.8	2.4	
Input Hysteresis				0.5		V	
Input Resistance		T <sub>A</sub> = +25°C	3	5	7	kΩ	

# ±15kV ESD-Protected, 1µA, 1Mbps, 3.0V to 5.5V, RS-232 Transceivers with AutoShutdown Plus

## ELECTRICAL CHARACTERISTICS (continued)

(V<sub>CC</sub> = +3V to +5.5V, C<sub>1</sub>–C<sub>4</sub> = 0.1µF, tested at 3.3V ±10%; C<sub>1</sub> = 0.047µF, C<sub>2</sub>–C<sub>4</sub> = 0.33µF, tested at 5.0V ±10%; T<sub>A</sub> = T<sub>MIN</sub> to T<sub>MAX</sub>, unless otherwise noted. Typical values are at T<sub>A</sub> = +25°C.)

PARAMETER	SYMBOL	CONDITIONS	MIN	TYP	MAX	UNITS
<b>TRANSMITTER OUTPUTS</b>						
Output Voltage Swing		All transmitter outputs loaded with 3kΩ to ground	±5	±5.4		V
Output Resistance		V <sub>CC</sub> = V <sub>+</sub> = V <sub>-</sub> = 0, transmitter outputs = ±2V	300	10M		Ω
Output Short-Circuit Current					±60	mA
Output Leakage Current		V <sub>CC</sub> = 0 or 3V to 5.5V, V <sub>OUT</sub> = ±12V, Transmitters disabled			±25	µA
<b>MOUSE DRIVEABILITY (MAX3244E/MAX3245E)</b>						
Transmitter Output Voltage		T1IN = T2IN = GND, T3IN = V <sub>CC</sub> , T3OUT loaded with 3kΩ to GND, T1OUT and T2OUT loaded with 2.5mA each	±5			V
<b>ESD PROTECTION</b>						
R <sub>IN</sub> , T <sub>OUT</sub>		IEC 1000-4-2 Air Discharge		±15		kV
		IEC 1000-4-2 Contact Discharge		±8		
		Human Body Model		±15		
<b>AutoShutdown Plus (FORCEON = GND, FORCEOFF = V<sub>CC</sub>)</b>						
Receiver Input Threshold to $\overline{\text{INVALID}}$ Output High		Figure 4a	Positive threshold		2.7	V
			Negative threshold	-2.7		
Receiver Input Threshold to $\overline{\text{INVALID}}$ Output Low		Figure 4a	-0.3		+0.3	V
$\overline{\text{INVALID}}$ , READY Output Voltage Low (MAX3224E–MAX3227E)		I <sub>OUT</sub> = -1.6mA			0.4	V
$\overline{\text{INVALID}}$ , READY Output Voltage High (MAX3224E–MAX3227E)		I <sub>OUT</sub> = -1.0mA	V <sub>CC</sub> - 0.6			V
Receiver Positive or Negative Threshold to $\overline{\text{INVALID}}$ High	t <sub>INVH</sub>	V <sub>CC</sub> = 5V, Figure 4b		1		µs
Receiver Positive or Negative Threshold to $\overline{\text{INVALID}}$ Low	t <sub>INVL</sub>	V <sub>CC</sub> = 5V, Figure 4b		30		µs
Receiver or Transmitter Edge to Transmitters Enabled	t <sub>WU</sub>	V <sub>CC</sub> = 5V, Figure 5b (Note 2)		100		µs
Receiver or Transmitter Edge to Transmitters Shutdown	t <sub>AUTOSHDN</sub>	V <sub>CC</sub> = 5V, Figure 5b (Note 2)	15	30	60	s

MAX3224E–MAX3227E/MAX3244E/MAX3245E

# ±15kV ESD-Protected, 1µA, 1Mbps, 3.0V to 5.5V, RS-232 Transceivers with AutoShutdown Plus

## TIMING CHARACTERISTICS—MAX3224E/MAX3226E/MAX3244E

( $V_{CC} = +3V$  to  $+5.5V$ ,  $C_1$ – $C_4 = 0.1\mu F$ , tested at  $3.3V \pm 10\%$ ;  $C_1 = 0.047\mu F$ ,  $C_2$ – $C_4 = 0.33\mu F$ , tested at  $5.0V \pm 10\%$ ;  $T_A = T_{MIN}$  to  $T_{MAX}$ , unless otherwise noted. Typical values are at  $T_A = +25^\circ C$ .)

PARAMETER	SYMBOL	CONDITIONS	MIN	TYP	MAX	UNITS
Maximum Data Rate		$R_L = 3k\Omega$ , $C_L = 1000pF$ , one transmitter switching	250			kbps
Receiver Propagation Delay	$t_{PHL}$	$R_{IN}$ to $R_{OUT}$ , $C_L = 150pF$		0.15		$\mu s$
	$t_{PLH}$			0.15		
Receiver Output Enable Time		Normal operation (MAX3244E only)		200		ns
Receiver Output Disable Time		Normal operation (MAX3244E only)		200		ns
Transmitter Skew	$ t_{PHL} - t_{PLH} $	(Note 3)		100		ns
Receiver Skew	$ t_{PHL} - t_{PLH} $			50		ns
Transition-Region Slew Rate		$V_{CC} = 3.3V$ , $T_A = +25^\circ C$ , $R_L = 3k\Omega$ to $7k\Omega$ , measured from $+3V$ to $-3V$ or $-3V$ to $+3V$ , one transmitter switching	$C_L = 150pF$ to $1000pF$	6	30	$V/\mu s$

## TIMING CHARACTERISTICS—MAX3225E/MAX3227E/MAX3245E

( $V_{CC} = +3V$  to  $+5.5V$ ,  $C_1$ – $C_4 = 0.1\mu F$ , tested at  $3.3V \pm 10\%$ ;  $C_1 = 0.047\mu F$ ,  $C_2$ – $C_4 = 0.33\mu F$ , tested at  $5.0V \pm 10\%$ ;  $T_A = T_{MIN}$  to  $T_{MAX}$ , unless otherwise noted. Typical values are at  $T_A = +25^\circ C$ .)

PARAMETER	SYMBOL	CONDITIONS	MIN	TYP	MAX	UNITS
Maximum Data Rate		$R_L = 3k\Omega$ , $C_L = 1000pF$ , one transmitter switching	250			kbps
		$V_{CC} = 3.0V$ to $4.5V$ , $R_L = 3k\Omega$ , $C_L = 250pF$ , one transmitter switching	1000			
		$V_{CC} = 4.5V$ to $5.5V$ , $R_L = 3k\Omega$ , $C_L = 1000pF$ , one transmitter switching	1000			
Receiver Propagation Delay	$t_{PHL}$	$R_{IN}$ to $R_{OUT}$ , $C_L = 150pF$		0.15		$\mu s$
	$t_{PLH}$			0.15		
Receiver Output Enable Time		Normal operation (MAX3245E only)		200		ns
Receiver Output Disable Time		Normal operation (MAX3245E only)		200		ns
Transmitter Skew	$ t_{PHL} - t_{PLH} $	(Note 3)		25		ns
Receiver Skew	$ t_{PHL} - t_{PLH} $			50		ns
Transition-Region Slew Rate		$V_{CC} = 3.3V$ , $T_A = +25^\circ C$ , $R_L = 3k\Omega$ to $7k\Omega$ , $C_L = 150pF$ to $1000pF$ , measured from $+3V$ to $-3V$ or $-3V$ to $+3V$ , one transmitter switching		24	150	$V/\mu s$

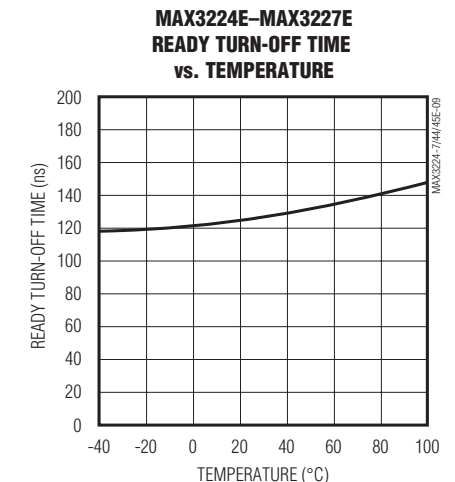
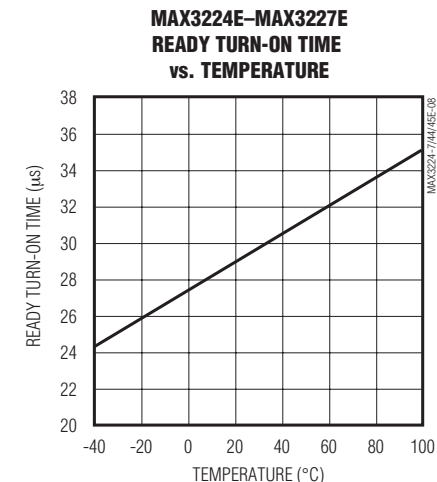
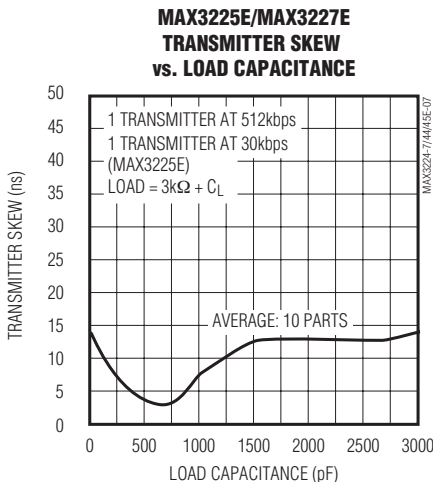
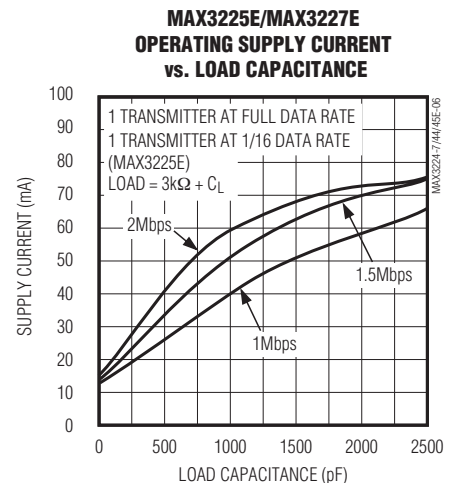
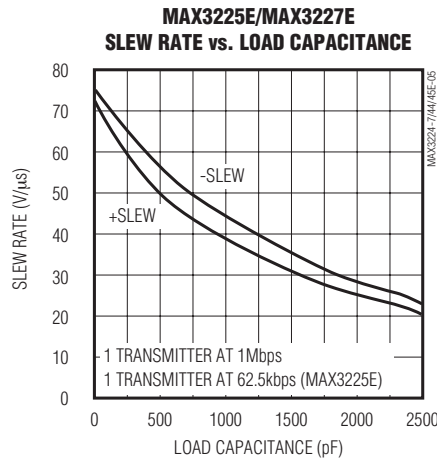
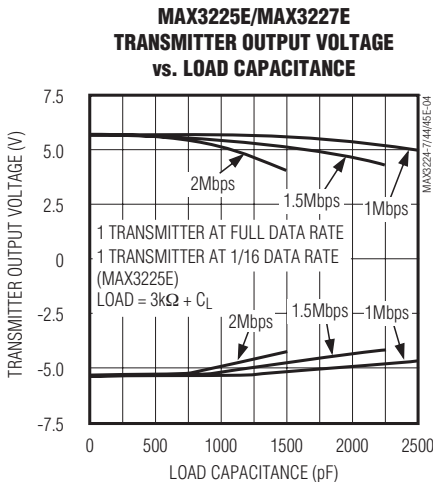
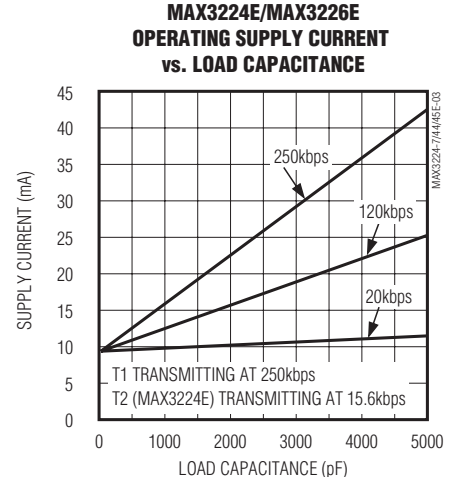
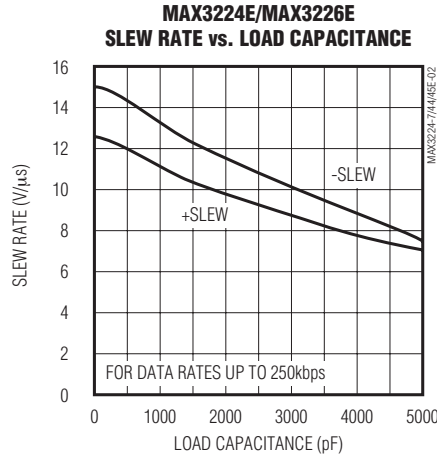
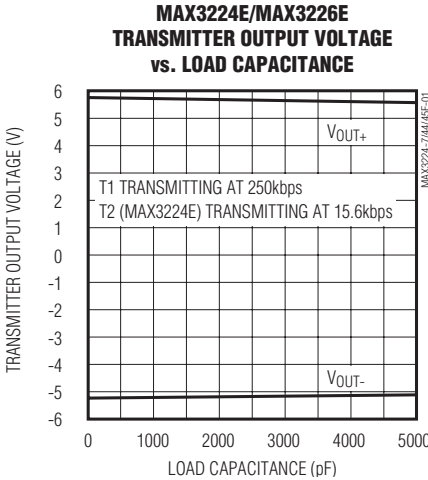
**Note 2:** A transmitter/receiver edge is defined as a transition through the transmitter/receiver input logic thresholds.

**Note 3:** Transmitter skew is measured at the transmitter zero cross points.

# ±15kV ESD-Protected, 1µA, 1Mbps, 3.0V to 5.5V, RS-232 Transceivers with AutoShutdown Plus

## Typical Operating Characteristics

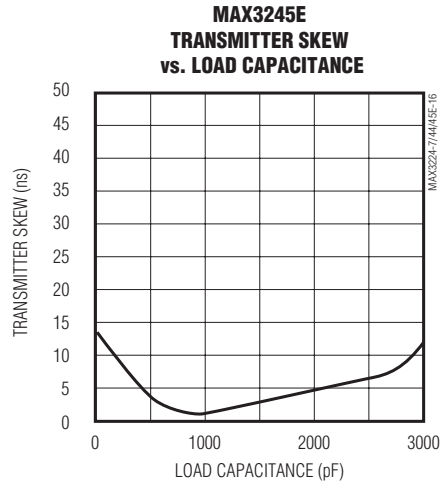
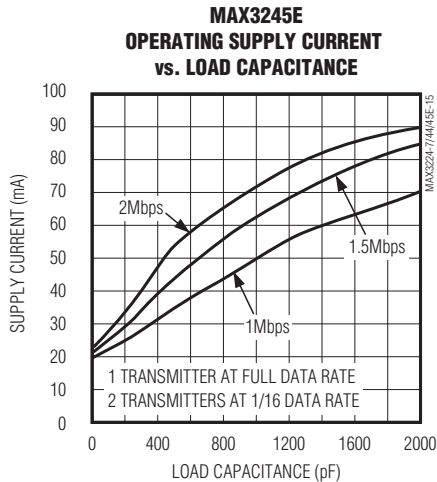
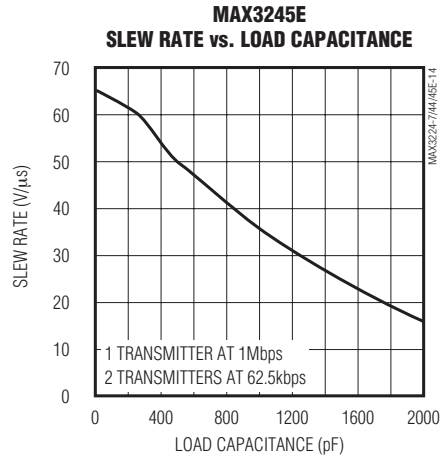
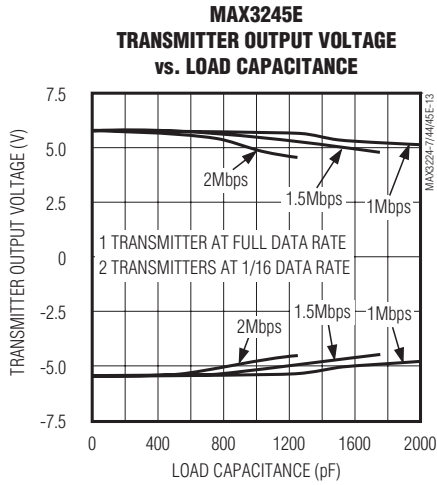
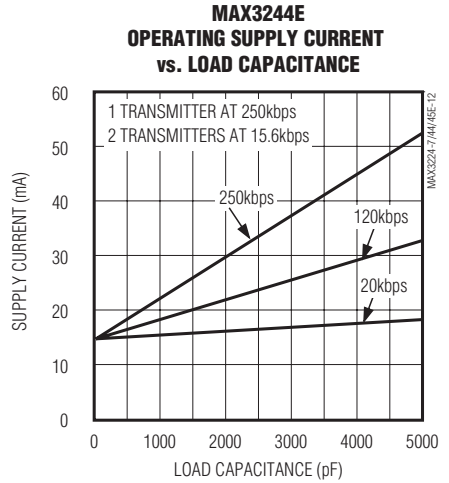
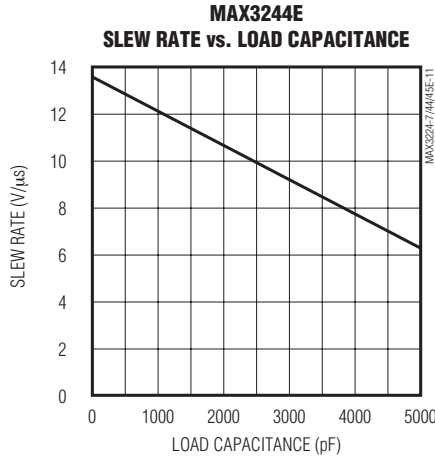
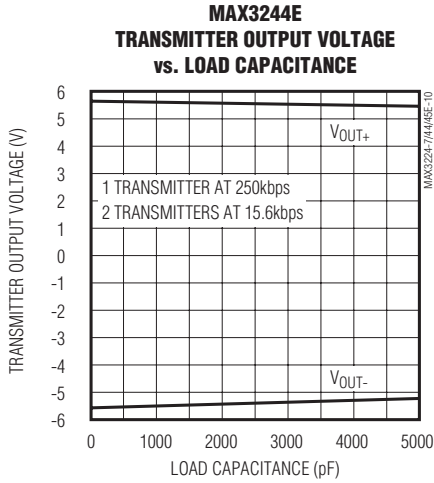
(V<sub>CC</sub> = +3.3V, 250kbps data rate, 0.1µF capacitors, all transmitters loaded with 3kΩ and C<sub>L</sub>, T<sub>A</sub> = +25°C, unless otherwise noted.)



# ±15kV ESD-Protected, 1µA, 1Mbps, 3.0V to 5.5V, RS-232 Transceivers with AutoShutdown Plus

## Typical Operating Characteristics (continued)

(V<sub>CC</sub> = +3.3V, 250kbps data rate, 0.1µF capacitors, all transmitters loaded with 3kΩ and C<sub>L</sub>, T<sub>A</sub> = +25°C, unless otherwise noted.)



# ±15kV ESD-Protected, 1µA, 1Mbps, 3.0V to 5.5V, RS-232 Transceivers with AutoShutdown Plus

## Pin Description

PIN						NAME	FUNCTION
MAX3224E MAX3225E		MAX3226E MAX3227E		MAX3244E MAX3245E SO/ SSOP/ TSSOP	MAX3245E (TQFN)		
TQFN	DIP/ SSOP/ TSSOP	TQFN	SSOP/ TSSOP				
19	1	14	1	—	—	READY	Ready to Transmit Output, active-high. READY is enabled high when V- goes below -4V and the device is ready to transmit.
1	2	16	2	28	31	C1+	Positive Terminal of Voltage-Doubler Charge-Pump Capacitor
20	3	15	3	27	30	V+	+5.5V generated by the charge pump
2	4	1	4	24	26	C1-	Negative Terminal of Voltage-Doubler Charge-Pump Capacitor
3	5	2	5	1	33	C2+	Positive Terminal of Inverting Charge-Pump Capacitor
4	6	3	6	2	34	C2-	Negative Terminal of Inverting Charge-Pump Capacitor
5	7	4	7	3	35	V-	-5.5V Generated by the Charge Pump
6, 15	8, 17	10	13	9, 10, 11	7, 8, 9	T_OUT	RS-232 Transmitter Outputs
7, 14	9, 16	5	8	4-8	1-5	R_IN	RS-232 Receiver Inputs
8, 13	10, 15	6	9	15-19	15, 16, 17, 19, 20	R_OUT	TTL/CMOS Receiver Outputs
9	11	7	10	21	23	$\overline{\text{INVALID}}$	Valid Signal Detector Output, active low. A logic high indicates that a valid RS-232 level is present on a receiver input.

MAX3224E-MAX3227E/MAX3244E/MAX3245E



# ±15kV ESD-Protected, 1µA, 1Mbps 3.0V to 5.5V, RS-232 Transceivers with AutoShutdown Plus

## Pin Description

PIN						NAME	FUNCTION
MAX3224E MAX3225E		MAX3226E MAX3227E		MAX3244E MAX3245E DIP/ SSOP/ TSSOP	MAX3245E TQFN		
TQFN	DIP/ SSOP/ TSSOP	TQFN	SSOP/ TSSOP				
10, 11	12, 13	8	11	12-14	11, 12, 13	T_IN	TTL/CMOS Transmitter Inputs
12	14	9	12	23	25	FORCEON	Force-On Input, Active High. Drive high to override AutoShutdown Plus, keeping transmitters and receivers on ( $\overline{\text{FORCEOFF}}$ must be high) (Table 1).
16	18	11	14	25	27	GND	Ground
17	19	12	15	26	29	V <sub>CC</sub>	+3.0V to +5.5V Single Supply Voltage
18	20	13	16	22	24	$\overline{\text{FORCEOFF}}$	Force-Off Input, Active Low. Drive low to shut down transmitters, receivers (except R2OUTB), and charge pump. This overrides AutoShutdown Plus and FORCEON (Table 1).
—	—	—	—	20	21	R2OUTB	TTL/CMOS Noninverting Complementary Receiver Outputs. Always active.
—	—	—	—	—	6, 10, 14, 18, 22, 28, 32, 36	N.C.	No Connection. Not internally connected.
EP	—	EP	—	—	EP	EP	Exposed Paddle. Solder the exposed paddle to the ground plane or leave unconnected.

### Detailed Description

#### Dual Charge-Pump Voltage Converter

The MAX3224E-MAX3227E/MAX3244E/MAX3245E's internal power supply consists of a regulated dual charge pump that provides output voltages of +5.5V (doubling charge pump) and -5.5V (inverting charge pump), over the +3.0V to +5.5V range. The charge pump operates in discontinuous mode: if the output voltages are less than 5.5V, the charge pump is

enabled; if the output voltages exceed 5.5V, the charge-pump is disabled. Each charge pump requires a flying capacitor (C1, C2) and a reservoir capacitor (C3, C4) to generate the V+ and V- supplies.

The READY output (MAX3224E-MAX3227E) is low when the charge pumps are disabled in shutdown mode. The READY signal asserts high when V- goes below -4V.



# ±15kV ESD-Protected, 1µA, 1Mbps 3.0V to 5.5V, RS-232 Transceivers with AutoShutdown Plus

MAX3224E-MAX3227E/MAX3244E/MAX3245E

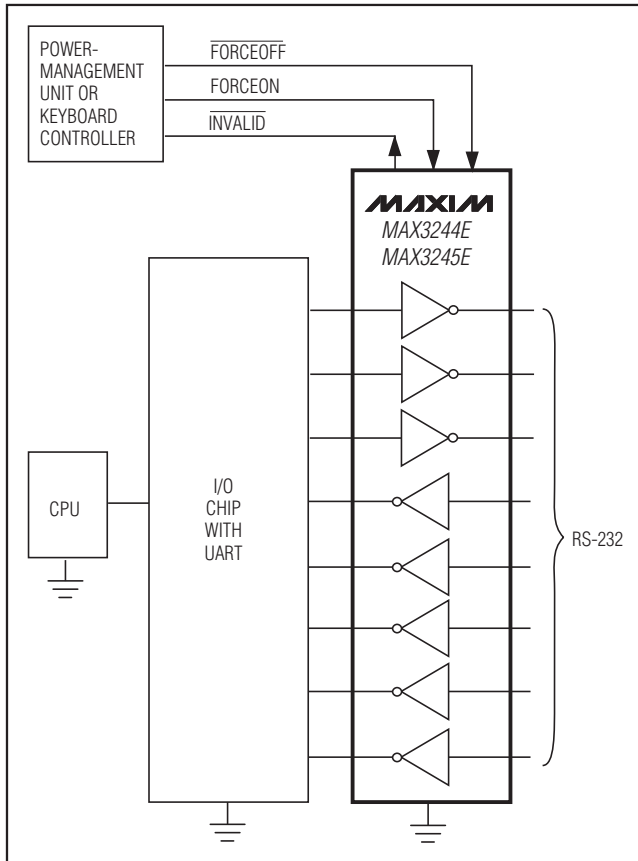


Figure 1. Interface Under Control of PMU

## RS-232 Transmitters

The transmitters are inverting level translators that convert CMOS-logic levels to 5.0V EIA/TIA-232 levels. The MAX3224E/MAX3226E/MAX3244E guarantee a 250kbps data rate (1Mbps, for the MAX3225E/MAX3227E/MAX3245E) with worst-case loads of 3kΩ in parallel with 1000pF, providing compatibility with PC-to-PC communication software (such as LapLink™). Transmitters can be paralleled to drive multiple receivers. Figure 1 shows a complete system connection.

When  $\overline{\text{FORCEOFF}}$  is driven to ground or when the Auto-Shutdown Plus circuitry senses that all receiver and transmitter inputs are inactive for more than 30s, the transmitters are disabled and the outputs go into a high-impedance state. When powered off or shut down, the outputs can be driven to ±12V. The transmitter inputs do not have pullup resistors. Connect unused inputs to GND or VCC.

LapLink is a trademark of Traveling Software.

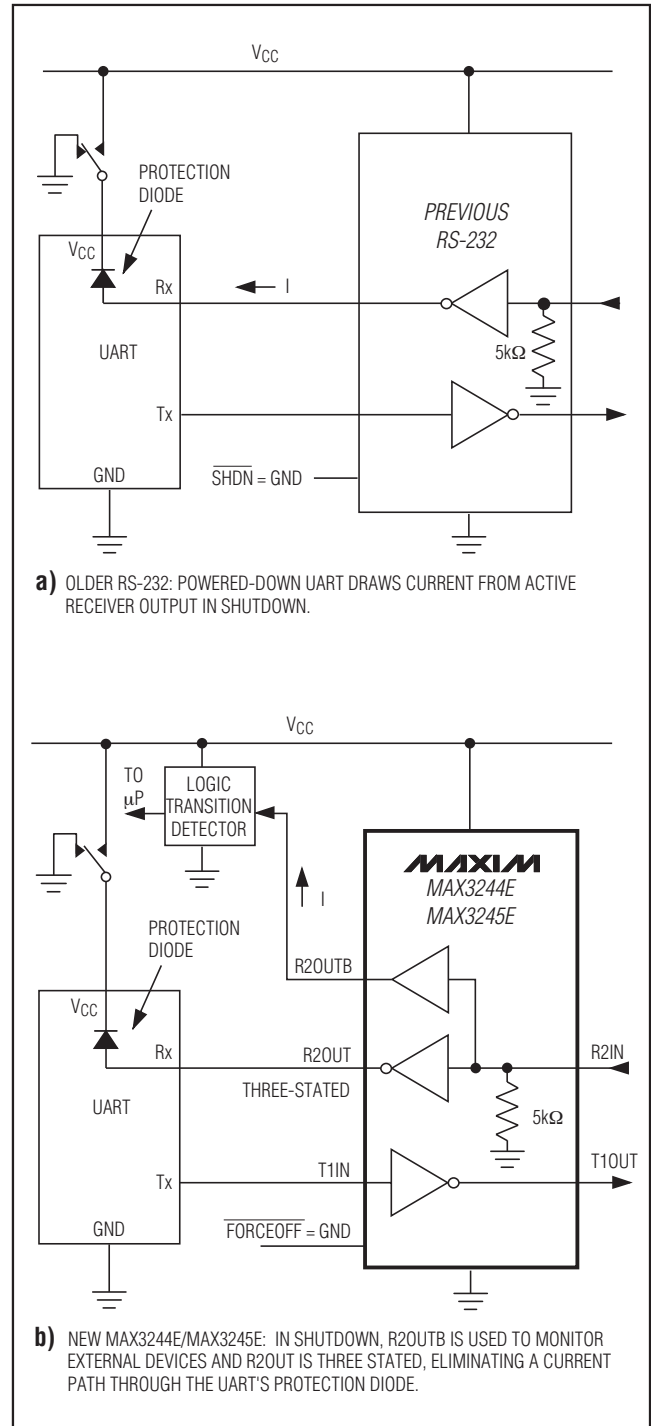


Figure 2. The MAX3244E/MAX3245E detect RS-232 activity when the UART and interface are shut down.

# ±15kV ESD-Protected, 1µA, 1Mbps 3.0V to 5.5V, RS-232 Transceivers with AutoShutdown Plus

Table 1. Output Control Truth Table

OPERATION STATUS	FORCEON	$\overline{\text{FORCEOFF}}$	VALID RECEIVER LEVEL	RECEIVER OR TRANSMITTER EDGE WITHIN 30s	T_OUT	R_OUT (MAX3224E/MAX3225E/MAX3226E/MAX3227E)	R_OUT (MAX3244E/MAX3245E)	R2OUTB (MAX3244E/MAX3245E)
Shutdown (Forced Off)	X	0	X	X	High-Z	Active	High-Z	Active
Normal Operation (Forced On)	1	1	X	X	Active	Active	Active	Active
Normal Operation (AutoShutdown Plus)	0	1	X	Yes	Active	Active	Active	Active
Shutdown (Auto-Shutdown Plus)	0	1	X	No	High-Z	Active	Active	Active
Normal Operation	$\overline{\text{INVALID}}^*$	1	Yes	X	Active	Active	Active	Active
Normal Operation	$\overline{\text{INVALID}}^*$	1	X	Yes	Active	Active	Active	Active
Shutdown	$\overline{\text{INVALID}}^*$	1	No	No	High-Z	Active	Active	Active
Normal Operation (AutoShutdown)	$\overline{\text{INVALID}}^*$	$\overline{\text{INVALID}}^{**}$	Yes	X	Active	Active	Active	Active
Shutdown (AutoShutdown)	$\overline{\text{INVALID}}^*$	$\overline{\text{INVALID}}^{**}$	No	X	High-Z	Active	High-Z	Active

X = Don't care

\*  $\overline{\text{INVALID}}$  connected to FORCEON

\*\*  $\overline{\text{INVALID}}$  connected to FORCEON and  $\overline{\text{FORCEOFF}}$

## RS-232 Receivers

The receivers convert RS-232 signals to CMOS-logic output levels. The MAX3224E-MAX3227E feature inverting outputs that always remain active (Table 1). The MAX3244E/MAX3245E have inverting three-state outputs that are high impedance when shut down ( $\overline{\text{FORCEOFF}} = \text{GND}$ ) (Table 1).

The MAX3244E/MAX3245E feature an extra, always active, noninverting output, R2OUTB. R2OUTB output monitors receiver activity while the other receivers are high impedance, allowing ring indicator applications to be monitored without forward biasing other devices connected to the receiver outputs. This is ideal for systems where VCC is set to ground in shutdown to accommodate peripherals such as UARTs (Figure 2).

The MAX3224E-MAX3227E/MAX3244E/MAX3245E feature an  $\overline{\text{INVALID}}$  output that is enabled low when no valid RS-232 voltage levels have been detected on all receiver inputs. Because  $\overline{\text{INVALID}}$  indicates the receiver input's condition, it is independent of FORCEON and  $\overline{\text{FORCEOFF}}$  states (Figures 3 and 4).

## AutoShutdown Plus Mode

The MAX3224E-MAX3227E/MAX3244E/MAX3245E achieve a 1µA supply current with Maxim's AutoShutdown Plus feature, which operates when  $\overline{\text{FORCEOFF}}$  is high and a FORCEON is low. When these devices do not sense a valid signal transition on any receiver and transmitter input for 30s, the on-board charge pumps are shut down, reducing supply current to 1µA. This occurs if the RS-232 cable is disconnected or if the connected

# ±15kV ESD-Protected, 1µA, 1Mbps 3.0V to 5.5V, RS-232 Transceivers with AutoShutdown Plus

MAX3224E-MAX3227E/MAX3244E/MAX3245E

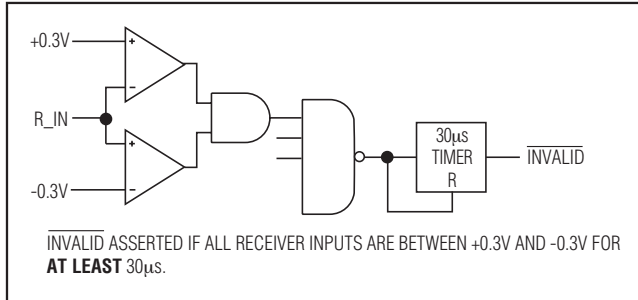


Figure 3a.  $\overline{\text{INVALID}}$  Functional Diagram,  $\overline{\text{INVALID}}$  Low

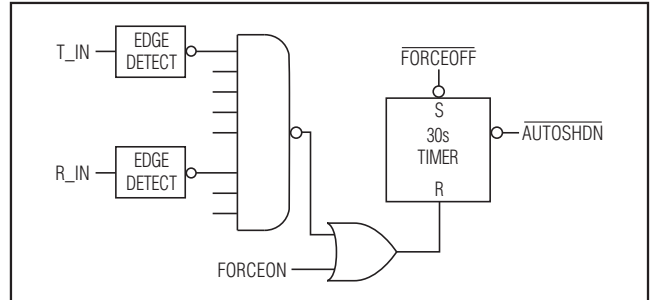


Figure 3c. AutoShutdown Plus Logic

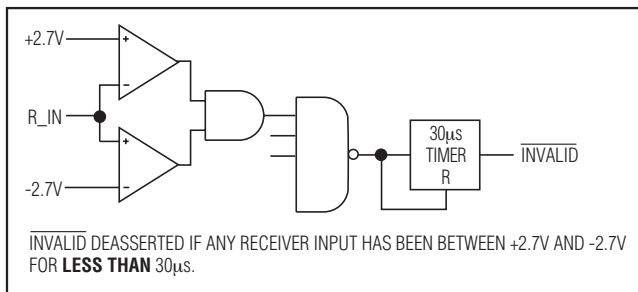


Figure 3b.  $\overline{\text{INVALID}}$  Functional Diagram,  $\overline{\text{INVALID}}$  High

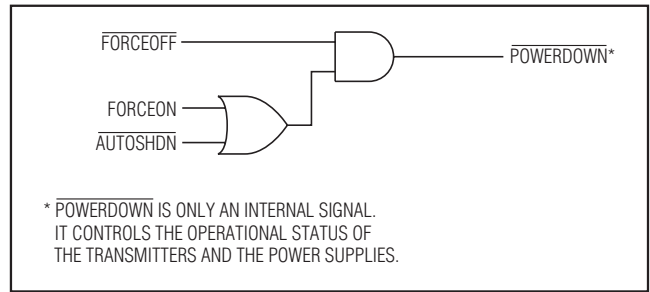


Figure 3d. Power-Down Logic

**Table 2.  $\overline{\text{INVALID}}$  Truth Table**

RS-232 SIGNAL PRESENT AT ANY RECEIVER INPUT	$\overline{\text{INVALID}}$ OUTPUT
Yes	High
No	Low

peripheral transmitters are turned off, and the UART driving the transmitter inputs is inactive. The system turns on again when a valid transition is applied to any RS-232 receiver or transmitter input. As a result, the system saves power without changes to the existing BIOS or operating system.

Figures 3a and 3b depict valid and invalid RS-232 receiver voltage levels.  $\overline{\text{INVALID}}$  indicates the receiver input's condition, and is independent of FORCEON and FORCEOFF states. Figure 3 and Tables 1 and 2 summarize the operating modes of the MAX3224E-MAX3227E/MAX3244E/MAX3245E. FORCEON and FORCEOFF override AutoShutdown Plus circuitry. When neither control is asserted, the IC selects between these states automatically based on the last receiver or transmitter input edge received.

When shut down, the device's charge pumps turn off, V+ is pulled to VCC, V- is pulled to ground, the transmitter outputs are high impedance, and READY (MAX3224E-MAX3227E) is driven low. The time required to exit shutdown is typically 100µs (Figure 8).

By connecting FORCEON to  $\overline{\text{INVALID}}$ , the MAX3224E-MAX3227E/MAX3244E/MAX3245E shut down when no valid receiver level and no receiver or transmitter edge is detected for 30s, and wake up when a valid receiver level or receiver or transmitter edge is detected.

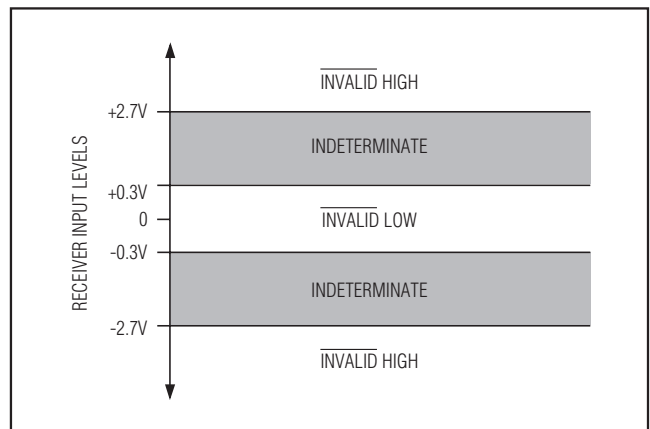


Figure 4a. Receiver Positive/Negative Thresholds for  $\overline{\text{INVALID}}$

# ±15kV ESD-Protected, 1µA, 1Mbps 3.0V to 5.5V, RS-232 Transceivers with AutoShutdown Plus

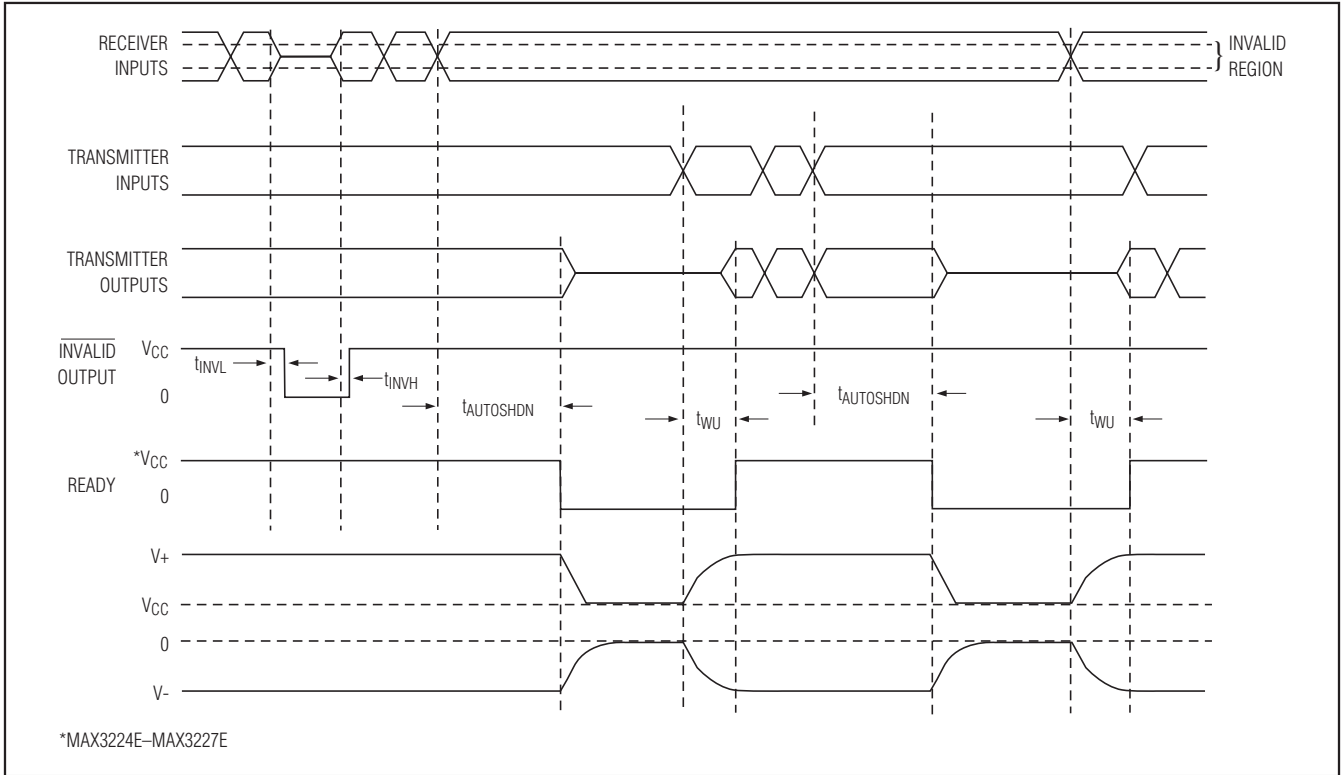


Figure 4b. AutoShutdown Plus,  $\overline{INVALID}$ , and  $READY$  Timing Diagram

By connecting FORCEON and FORCEOFF to  $\overline{INVALID}$ , the MAX3224E-MAX3227E/MAX3244E/MAX3245E shut down when no valid receiver level is detected and wake up when a valid receiver level is detected (same functionality as AutoShutdown feature on MAX3221E/MAX3223E/MAX3243E).

A mouse or other system with AutoShutdown Plus may need time to wake up. Figure 5 shows a circuit that forces the transmitters on for 100ms, allowing enough time for the other system to realize that the MAX3244E/MAX3245E is awake. If the other system outputs valid RS-232 signal transitions within that time, the RS-232 ports on both systems remain enabled.

### Software-Controlled Shutdown

If direct software control is desired, use  $\overline{INVALID}$  to indicate DTR or ring indicator signal. Tie FORCEOFF and FORCEON together to bypass the AutoShutdown Plus so the line acts like a  $\overline{SHDN}$  input.

### ±15kV ESD Protection

As with all Maxim devices, ESD-protection structures are incorporated on all pins to protect against electrostatic

discharges encountered during handling and assembly. The driver outputs and receiver inputs of the MAX3224E-MAX3227E/MAX3244E/MAX3245E have extra protection against static electricity. Maxim's engineers have developed state-of-the-art structures to protect

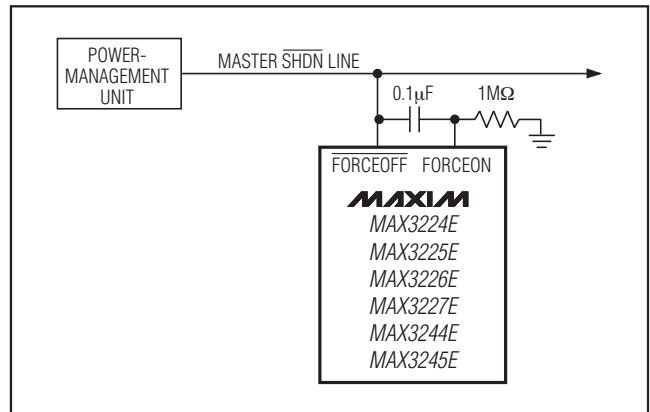


Figure 5. AutoShutdown Plus Initial Turn-On to Wake Up a Mouse or Another System

# ±15kV ESD-Protected, 1μA, 1Mbps 3.0V to 5.5V, RS-232 Transceivers with AutoShutdown Plus

MAX3224E-MAX3227E/MAX3244E/MAX3245E

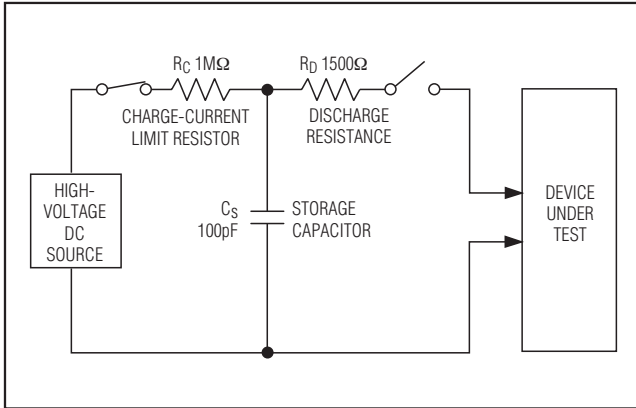


Figure 6a. Human Body ESD Test Model

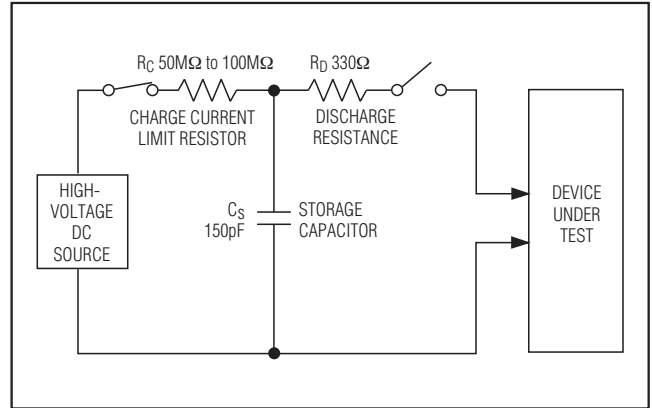


Figure 7a. IEC 1000-4-2 ESD Test Model

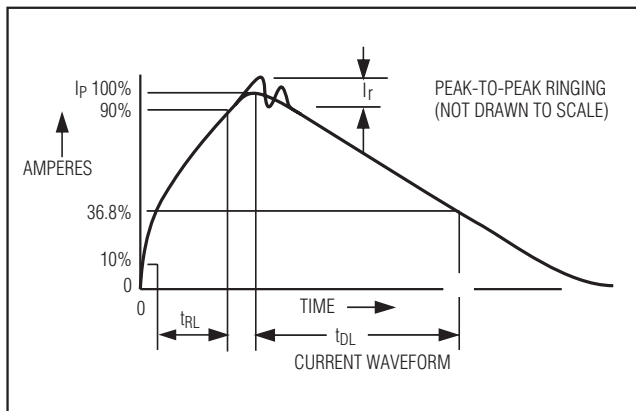


Figure 6b. Human Body Current Waveform

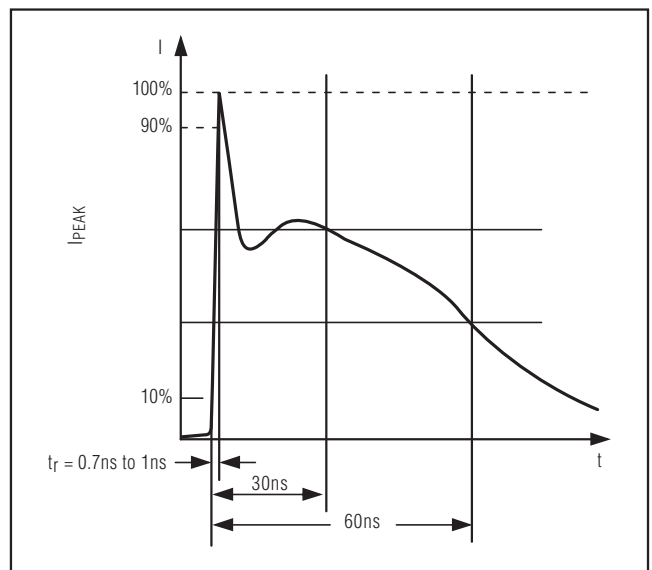


Figure 7b. IEC 1000-4-2 ESD Generator Current Waveform

these pins against ESD of ±15kV without damage. The ESD structures withstand high ESD in all states: normal operation, shutdown, and powered down. After an ESD event, Maxim's E versions keep working without latchup, whereas competing RS-232 products can latch and must be powered down to remove latchup.

ESD protection can be tested in various ways; the transmitter outputs and receiver inputs of this product family are characterized for protection to the following limits:

- 1) ±15kV using the Human Body Model
- 2) ±8kV using the Contact-Discharge Method specified in IEC 1000-4-2
- 3) ±15kV using IEC 1000-4-2's Air-Gap Method.

### ESD Test Conditions

ESD performance depends on a variety of conditions. Contact Maxim for a reliability report that documents test setup, test methodology, and test results.

### Human Body Model

Figure 6a shows the Human Body Model and Figure 6b shows the current waveform it generates when discharged into a low impedance. This model consists of a 100pF capacitor charged to the ESD voltage of interest, which is then discharged into the test device through a 1.5kΩ resistor.

# ±15kV ESD-Protected, 1µA, 1Mbps 3.0V to 5.5V, RS-232 Transceivers with AutoShutdown Plus

## IEC 1000-4-2

The IEC 1000-4-2 standard covers ESD testing and performance of finished equipment; it does not specifically refer to integrated circuits. The MAX3224E-MAX3227E, MAX3244E/MAX3245E help you design equipment that meets Level 4 (the highest level) of IEC 1000-4-2, without the need for additional ESD-protection components.

The major difference between tests done using the Human Body Model and IEC 1000-4-2 is higher peak current in IEC 1000-4-2, because series resistance is lower in the IEC 1000-4-2 model. Hence, the ESD withstand voltage measured to IEC 1000-4-2 is generally lower than that measured using the Human Body Model. Figure 7a shows the IEC 1000-4-2 model and Figure 7b shows the current waveform for the 8kV, IEC 1000-4-2, Level 4, ESD Contact-Discharge Method.

The Air-Gap Method involves approaching the device with a charged probe. The Contact-Discharge Method connects the probe to the device before the probe is energized.

## Machine Model

The Machine Model for ESD tests all pins using a 200pF storage capacitor and zero discharge resistance. Its objective is to emulate the stress caused by contact that occurs with handling and assembly during manufacturing. Of course, all pins require this protection during manufacturing, not just RS-232 inputs and outputs. Therefore, after PC board assembly, the Machine Model is less relevant to I/O ports.

## Applications Information

### Capacitor Selection

The capacitor type used for C1-C4 is not critical for proper operation; polarized or nonpolarized capacitors

**Table 3. Required Minimum Capacitance Values**

V <sub>CC</sub> (V)	C1, C <sub>BYPASS</sub> (µF)	C2, C3, C4 (µF)
3.0 to 3.6	0.22	0.22
3.15 to 3.6	0.1	0.1
4.5 to 5.5	0.047	0.33
3.0 to 5.5	0.22	1

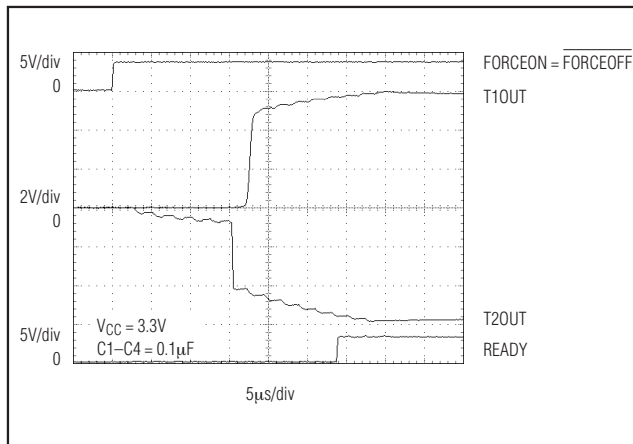


Figure 8. Transmitter Outputs when Exiting Shutdown or Powering Up

can be used. The charge pump requires 0.1µF capacitors for 3.3V operation. For other supply voltages, see Table 3 for required capacitor values. Do not use values smaller than those listed in Table 3. Increasing the capacitor values (e.g., by a factor of 2) reduces ripple on the transmitter outputs and slightly reduces power consumption. C2, C3, and C4 can be increased without changing C1's value. **However, do not increase C1 without also increasing the values of C2, C3, C4, and CBYPASS, to maintain the proper ratios (C1 to the other capacitors).**

When using the minimum required capacitor values, make sure the capacitor value does not degrade excessively with temperature. If in doubt, use capacitors with a larger nominal value. The capacitor's equivalent series resistance (ESR), which usually rises at low temperatures, influences the amount of ripple on V+ and V-.

### Power-Supply Decoupling

In most circumstances, a 0.1µF V<sub>CC</sub> bypass capacitor is adequate. In applications that are sensitive to power-supply noise, use a capacitor of the same value as charge-pump capacitor C1. Connect bypass capacitors as close to the IC as possible.

### Transmitter Outputs when Exiting Shutdown

Figure 8 shows two transmitter outputs when exiting shutdown mode. As they become active, the two transmitter outputs are shown going to opposite RS-232 levels (one transmitter input is high, the other is low). Each



# ±15kV ESD-Protected, 1µA, 1Mbps 3.0V to 5.5V, RS-232 Transceivers with AutoShutdown Plus

transmitter is loaded with 3kΩ in parallel with 1000pF. The transmitter outputs display no ringing or undesirable transients as they come out of shutdown. Note that the transmitters are enabled only when the magnitude of V- exceeds approximately -3V.

## High Data Rates

The MAX3224E/MAX3226E/MAX3244E maintain the RS-232 ±5.0V minimum transmitter output voltage even at high data rates. Figure 9 shows a transmitter loopback test circuit. Figure 10 shows a loopback test result at 120kbps, and Figure 11 shows the same test at 250kbps. For Figure 10, all transmitters were driven simultaneously at 120kbps into RS-232 loads in parallel with 1000pF. For Figure 11, a single transmitter was driven at 250kbps, and all transmitters were loaded with an RS-232 receiver in parallel with 250pF.

The MAX3225E/MAX3227E/MAX3245E maintain the RS-232 ±5.0V minimum transmitter output voltage at data rates up to 1Mbps (MegaBaud). Figure 12 shows a loopback test result with a single transmitter driven at 1Mbps and all transmitters loaded with an RS-232 receiver in parallel with 250pF.

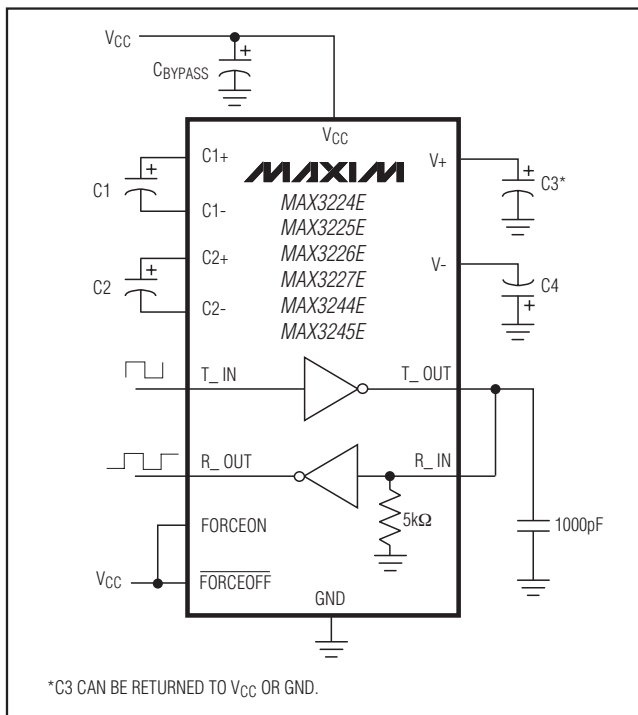


Figure 9. Loopback Test Circuit

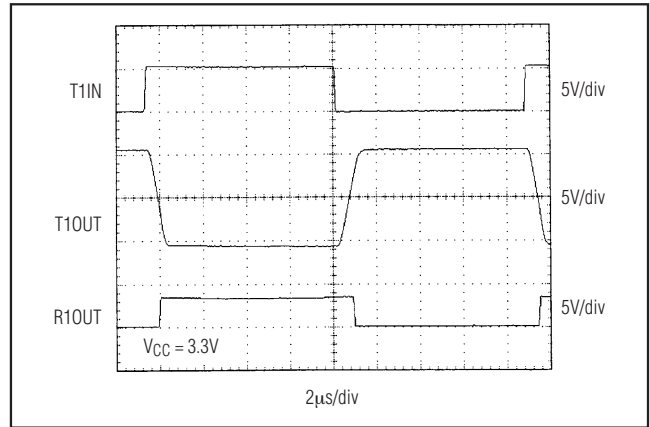


Figure 10. MAX3224E/MAX3226E/MAX3244E Loopback Test Result at 120kbps

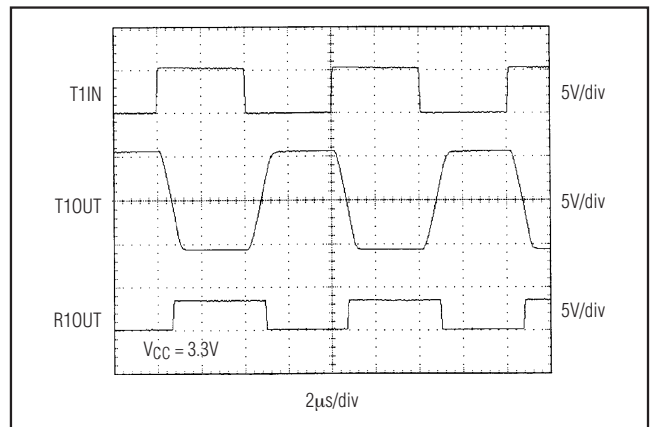


Figure 11. MAX3224E/MAX3226E/MAX3244E Loopback Test Result at 250kbps

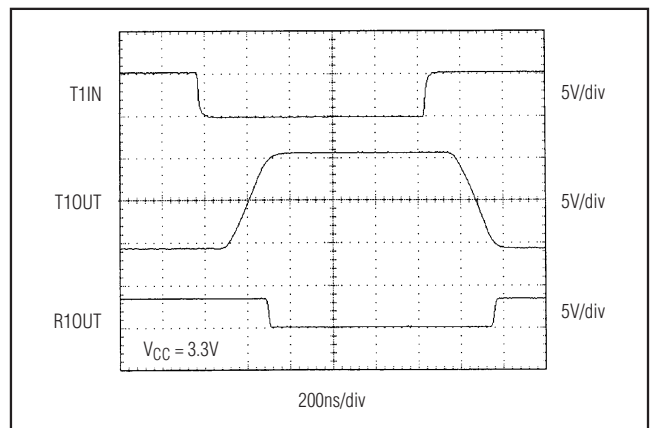


Figure 12. MAX3225E/MAX3227E/MAX3245E Loopback Test Result at 1Mbps

MAX3224E-MAX3227E/MAX3244E/MAX3245E



**$\pm 15\text{kV}$  ESD-Protected,  $1\mu\text{A}$ ,  $1\text{Mbps}$   $3.0\text{V}$  to  $5.5\text{V}$ , RS-232 Transceivers with AutoShutdown Plus**

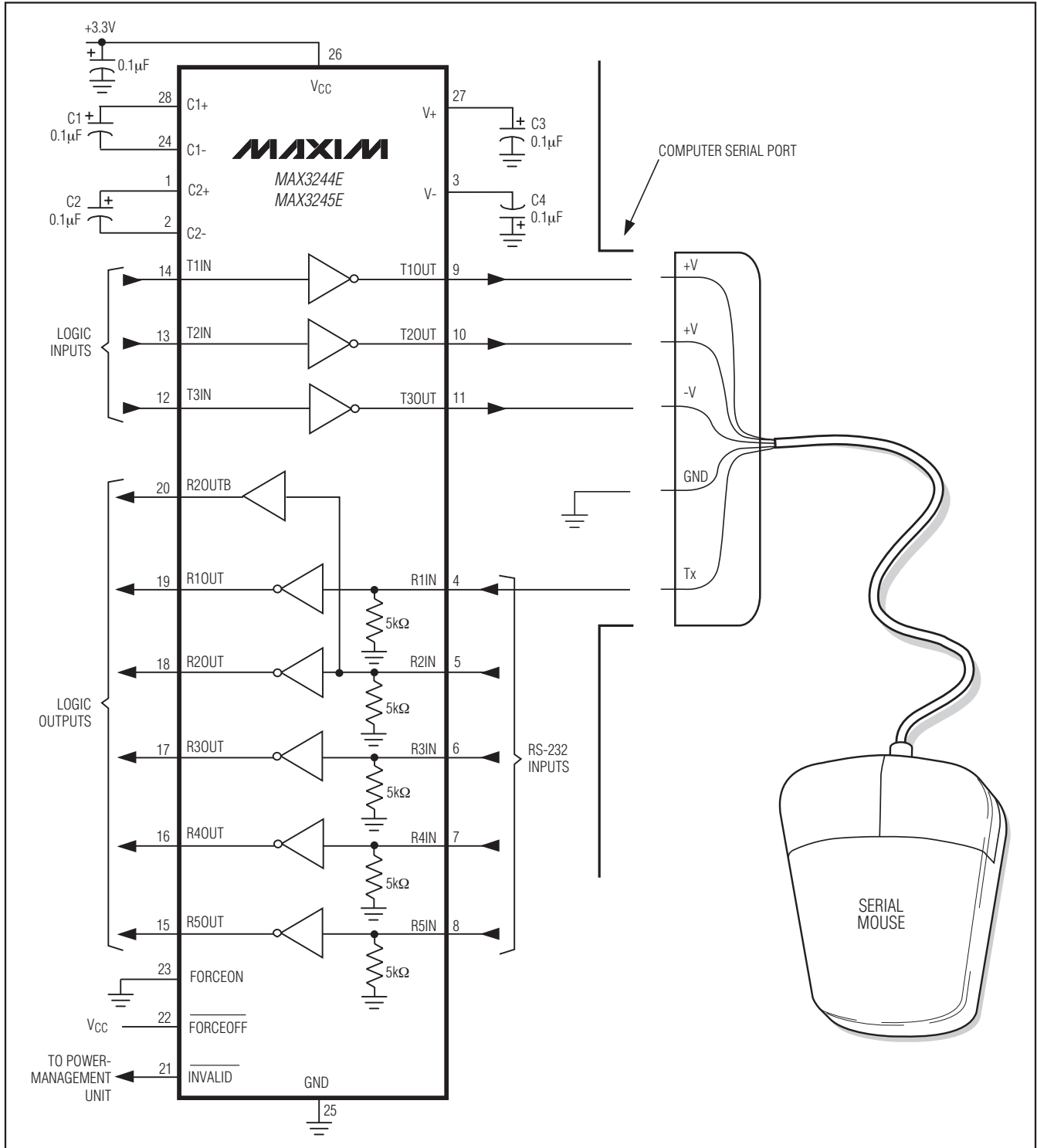


Figure 13a. Mouse Driver Test Circuit

# ±15kV ESD-Protected, 1µA, 1Mbps 3.0V to 5.5V, RS-232 Transceivers with AutoShutdown Plus

MAX3224E-MAX3227E/MAX3244E/MAX3245E

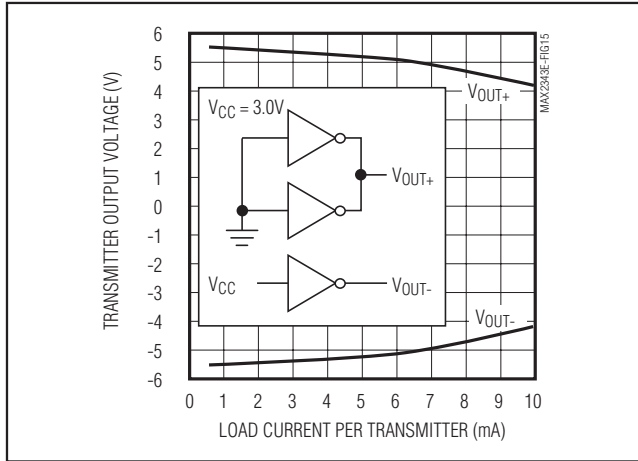


Figure 13b. MAX324\_E Transmitter Output Voltage vs. Load Current per Transmitter

## Mouse Driveability

The MAX3244E/MAX3245E are specifically designed to power serial mice while operating from low-voltage power supplies. They have been tested with leading mouse brands from manufacturers such as Microsoft and Logitech. The MAX3244E/MAX3245E successfully drove all serial mice tested and met their respective current and voltage requirements. The MAX3244E/MAX3245E dual charge pump ensures the transmitters supply at least ±5V during worst-case conditions. Figure 13b shows the transmitter output voltages under increasing load current. Figure 13a shows a typical mouse connection.

## Interconnection with 3V and 5V Logic

The MAX3224E-MAX3227E/MAX3244E/MAX3245E can directly interface with various 5V logic families, including ACT and HCT CMOS. See Table 4 for more information on possible combinations of interconnections.

Table 5 lists other Maxim ESD-powered transceivers.

Table 4. Logic Family Compatibility with Various Supply Voltages

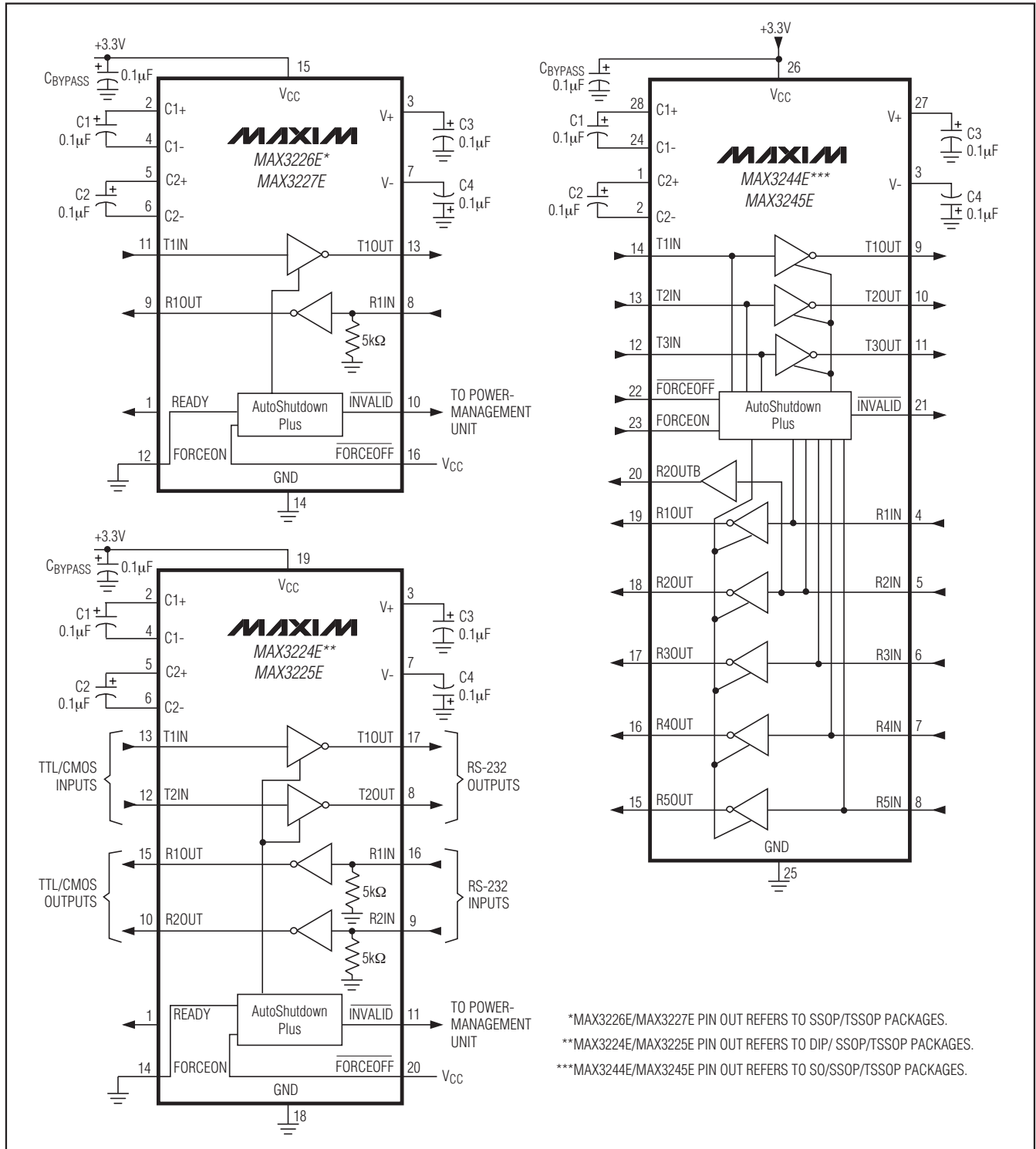
SYSTEM POWER-SUPPLY VOLTAGE (V)	V <sub>CC</sub> SUPPLY VOLTAGE (V)	COMPATIBILITY
3.3	3.3	Compatible with all CMOS families
5	5	Compatible with all TTL and CMOS families
5	3.3	Compatible with ACT and HCT CMOS, and with AC, HC, or CD4000 CMOS

Table 5. ±15kV ESD-Protected, 3.0V to 5.5V Powered RS-232 Transceivers from Maxim

PART	SUPPLY VOLTAGE RANGE (V)	NO. OF Tx/Rx	SUPPLY CURRENT (µA)	Auto-Shutdown Plus	Auto-Shutdown	Human Body Model (kV)	IEC 1000-4-2 Contact Discharge (kV)	IEC 1000-4-2 Air-Gap Discharge (kV)	GUARANTEED DATA RATE (kbps)
MAX3241E	+3.0 to +5.5	3/5	300	—	—	±15	±8	±15	250
MAX3243E	+3.0 to +5.5	3/5	1	—	Yes	±15	±8	±15	250
MAX3244E	+3.0 to +5.5	3/5	1	Yes	—	±15	±8	±15	250
MAX3245E	+3.0 to +5.5	3/5	1	Yes	—	±15	±8	±15	1Mbps
MAX3232E	+3.0 to +5.5	2/2	300	—	—	±15	±8	±15	250
MAX3222E	+3.0 to +5.5	2/2	300	—	—	±15	±8	±15	250
MAX3223E	+3.0 to +5.5	2/2	1	—	Yes	±15	±8	±15	250
MAX3224E	+3.0 to +5.5	2/2	1	Yes	—	±15	±8	±15	250
MAX3225E	+3.0 to +5.5	2/2	1	Yes	—	±15	±8	±15	1Mbps
MAX3221E	+3.0 to +5.5	1/1	1	—	Yes	±15	±8	±15	250
MAX3226E	+3.0 to +5.5	1/1	1	Yes	—	±15	±8	±15	250
MAX3227E	+3.0 to +5.5	1/1	1	Yes	—	±15	±8	±15	1Mbps

# ±15kV ESD-Protected, 1µA, 1Mbps 3.0V to 5.5V, RS-232 Transceivers with AutoShutdown Plus

## Typical Operating Circuits

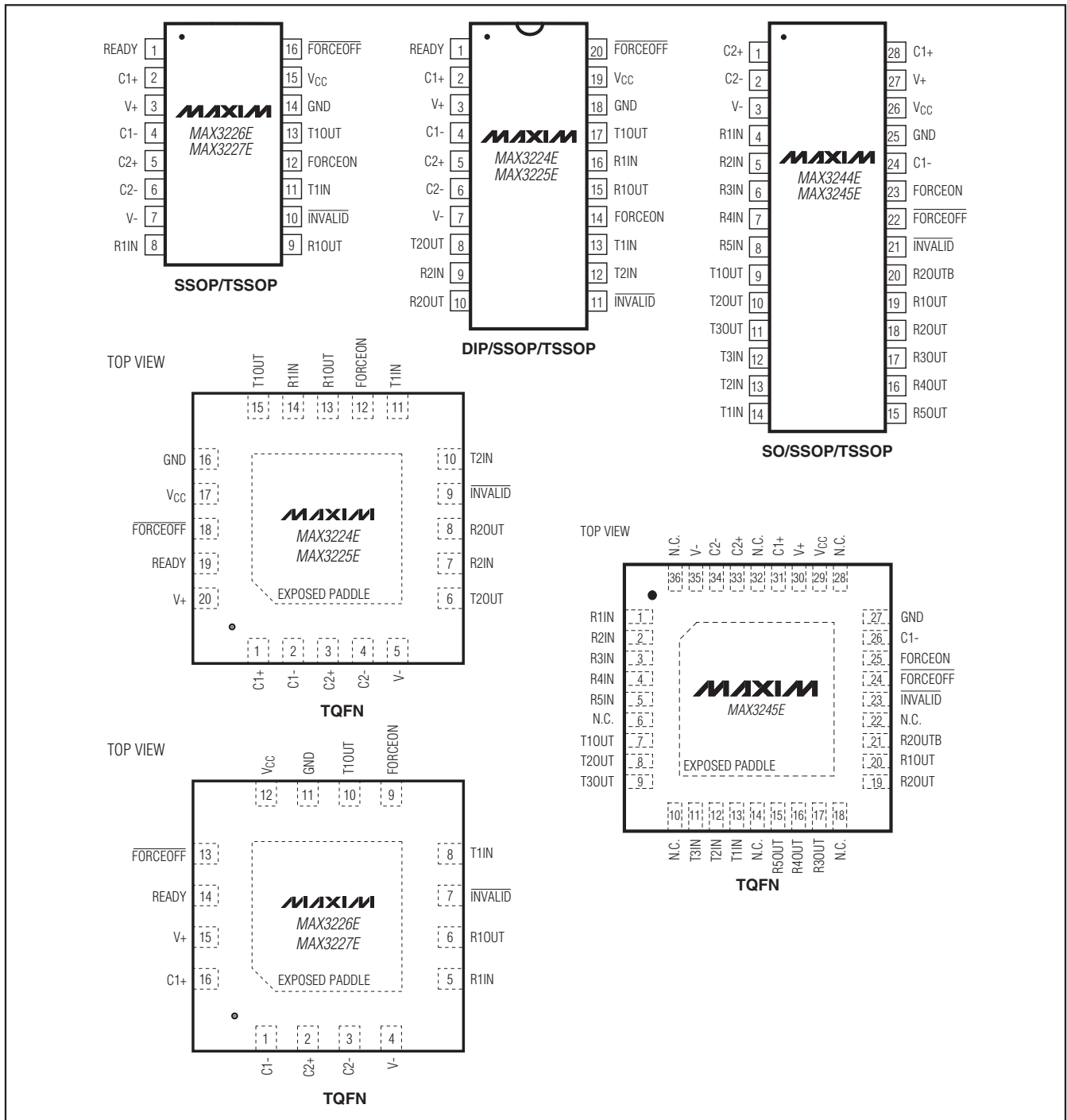


\*MAX3226E/MAX3227E PIN OUT REFERS TO SSOP/TSSOP PACKAGES.  
 \*\*MAX3224E/MAX3225E PIN OUT REFERS TO DIP/ SSOP/TSSOP PACKAGES.  
 \*\*\*MAX3244E/MAX3245E PIN OUT REFERS TO SO/SSOP/TSSOP PACKAGES.

# ±15kV ESD-Protected, 1µA, 1Mbps 3.0V to 5.5V, RS-232 Transceivers with AutoShutdown Plus

## Pin Configurations

MAX3224E-MAX3227E/MAX3244E/MAX3245E



# ±15kV ESD-Protected, 1µA, 1Mbps 3.0V to 5.5V, RS-232 Transceivers with AutoShutdown Plus

## Ordering Information (continued)

PART	TEMP RANGE	PIN PKG	PKG CODE
MAX3225ECUP	0°C to +70°C	20 TSSOP	—
MAX3225ECTP	0°C to +70°C	20 TQFN-EP*	T2055-5
MAX3225ECAP	0°C to +70°C	20 SSOP	—
MAX3225ECPD	0°C to +70°C	20 Plastic DIP	—
MAX3225EETP	-40°C to +85°C	20 TQFN-EP*	T2055-5
MAX3225EEUP	-40°C to +85°C	20 TSSOP	—
MAX3225EEAP	-40°C to +85°C	20 SSOP	—
MAX3225EEPD	-40°C to +85°C	20 Plastic DIP	—
MAX3225EAAP	-40°C to +125°C	20 SSOP	—
MAX3226ECTE	0°C to +70°C	16 TQFN-EP*	T1655-2
MAX3226ECUE	0°C to +70°C	16 TSSOP	—
MAX3226ECAE	0°C to +70°C	16 SSOP	—
MAX3226EEAE	-40°C to +85°C	16 SSOP	—
MAX3226EETE	-40°C to +85°C	16 TQFN-EP*	T1655-2
MAX3226EEUE	-40°C to +85°C	16 TSSOP	—
MAX3226EAAE	-40°C to +125°C	16 SSOP	—
MAX3227ECAE	0°C to +70°C	16 SSOP	—
MAX3227ECTE	0°C to +70°C	16 TQFN-EP*	T1655-2
MAX3227ECUE	0°C to +70°C	16 TSSOP	—
MAX3227EEAE	-40°C to +85°C	16 SSOP	—

\*EP = Exposed paddle.

PART	TEMP RANGE	PIN PKG	PKG CODE
MAX3227EETE	-40°C to +85°C	16 TQFN-EP*	T1655-2
MAX3227EEUE	-40°C to +85°C	16 TSSOP	—
MAX3227EAAE	-40°C to +125°C	16 SSOP	—
MAX3244ECWI	0°C to +70°C	28 Wide SO	—
MAX3244ECAI	0°C to +70°C	28 SSOP	—
MAX3244ECUI	0°C to +70°C	28 TSSOP	—
MAX3244EEWI	-40°C to +85°C	28 Wide SO	—
MAX3244EEAI	-40°C to +85°C	28 SSOP	—
MAX3244EEUI	-40°C to +85°C	28 TSSOP	—
MAX3245ECWI	0°C to +70°C	28 Wide SO	—
MAX3245ECAI	0°C to +70°C	28 SSOP	—
MAX3245ECTX	0°C to +70°C	36 TQFN-EP*	T3666-3
MAX3245EEAI	-40°C to +85°C	28 SSOP	—
MAX3245EEWI	-40°C to +85°C	28 WIDE SO	—
MAX3245EEUI	-40°C to +85°C	28 TSSOP	—
MAX3245EETX	-40°C to +85°C	36 TQFN-EP*	T3666-3

## Chip Information

MAX3224E TRANSISTOR COUNT: 1129

MAX3225E TRANSISTOR COUNT: 1129

MAX3226E TRANSISTOR COUNT: 1129

MAX3227E TRANSISTOR COUNT: 1129

MAX3244E/MAX3245E TRANSISTOR COUNT: 1335

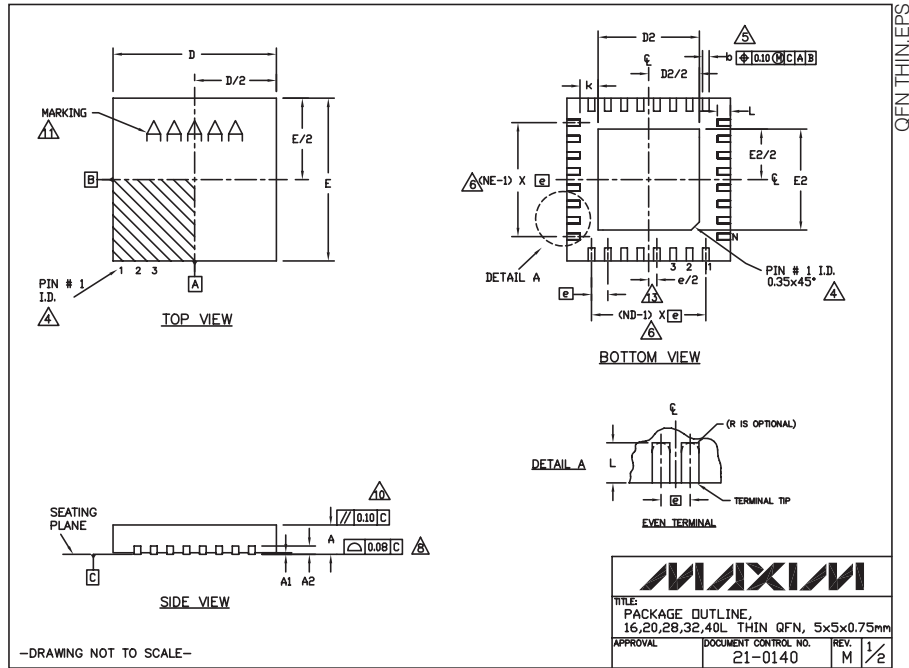
PROCESS: BICMOS

# ±15kV ESD-Protected, 1µA, 1Mbps 3.0V to 5.5V, RS-232 Transceivers with AutoShutdown Plus

## Package Information

(The package drawing(s) in this data sheet may not reflect the most current specifications. For the latest package outline information, go to [www.maxim-ic.com/packages](http://www.maxim-ic.com/packages).)

MAX3224E-MAX3227E/MAX3244E/MAX3245E



COMMON DIMENSIONS															
PKG.	16L 5x5			20L 5x5			28L 5x5			32L 5x5			40L 5x5		
SYMBOL	MIN.	NDM.	MAX.	MIN.	NDM.	MAX.	MIN.	NDM.	MAX.	MIN.	NDM.	MAX.	MIN.	NDM.	MAX.
A	0.70	0.75	0.80	0.70	0.75	0.80	0.70	0.75	0.80	0.70	0.75	0.80	0.70	0.75	0.80
A1	0	0.02	0.05	0	0.02	0.05	0	0.02	0.05	0	0.02	0.05	0	0.02	0.05
A2	0.20 REF.			0.20 REF.			0.20 REF.			0.20 REF.			0.20 REF.		
b	0.25	0.30	0.35	0.25	0.30	0.35	0.20	0.25	0.30	0.20	0.25	0.30	0.15	0.20	0.25
D	4.90	5.00	5.10	4.90	5.00	5.10	4.90	5.00	5.10	4.90	5.00	5.10	4.90	5.00	5.10
E	4.90	5.00	5.10	4.90	5.00	5.10	4.90	5.00	5.10	4.90	5.00	5.10	4.90	5.00	5.10
e	0.80 BSC.			0.65 BSC.			0.50 BSC.			0.50 BSC.			0.40 BSC.		
k	0.25	-	-	0.25	-	-	0.25	-	-	0.25	-	-	0.25	-	-
L	0.30	0.40	0.50	0.45	0.55	0.65	0.45	0.55	0.65	0.30	0.40	0.50	0.30	0.40	0.50
N	16			20			28			32			40		
ND	4			5			7			8			10		
NE	4			5			7			10			10		
JEDEC	VHFB			VHMC			VHMD-1			VHMD-2			-----		

EXPOSED PAD VARIATIONS									
PKG. CODES	D2			E2					
	MIN.	NDM.	MAX.	MIN.	NDM.	MAX.			
T1655-2	3.00	3.10	3.20	3.00	3.10	3.20			
T1655-3	3.00	3.10	3.20	3.00	3.10	3.20			
T1655-4	2.19	2.29	2.39	2.19	2.29	2.39			
T165M-1	3.00	3.10	3.20	3.00	3.10	3.20			
T2055-3	3.00	3.10	3.20	3.00	3.10	3.20			
T2055-4	3.00	3.10	3.20	3.00	3.10	3.20			
T2055-5	3.15	3.25	3.35	3.15	3.25	3.35			
T2055M-5	3.15	3.25	3.35	3.15	3.25	3.35			
T2855-3	3.15	3.25	3.35	3.15	3.25	3.35			
T2855-4	2.60	2.70	2.80	2.60	2.70	2.80			
T2855-5	2.60	2.70	2.80	2.60	2.70	2.80			
T2855-6	3.15	3.25	3.35	3.15	3.25	3.35			
T2855-7	2.60	2.70	2.80	2.60	2.70	2.80			
T2855-8	3.15	3.25	3.35	3.15	3.25	3.35			
T2855M-1	3.15	3.25	3.35	3.15	3.25	3.35			
T3255-3	3.00	3.10	3.20	3.00	3.10	3.20			
T3255-4	3.00	3.10	3.20	3.00	3.10	3.20			
T3255M-4	3.00	3.10	3.20	3.00	3.10	3.20			
T3255-5	3.00	3.10	3.20	3.00	3.10	3.20			
T3255M-1	3.00	3.10	3.20	3.00	3.10	3.20			
T4055-1	3.40	3.50	3.60	3.40	3.50	3.60			
T4055-2	3.40	3.50	3.60	3.40	3.50	3.60			
T4055M-1	3.40	3.50	3.60	3.40	3.50	3.60			
T4055M-1	3.40	3.50	3.60	3.40	3.50	3.60			

NOTES:

- DIMENSIONING & TOLERANCING CONFORM TO ASME Y14.5M-1994.
- ALL DIMENSIONS ARE IN MILLIMETERS. ANGLES ARE IN DEGREES.
- N IS THE TOTAL NUMBER OF TERMINALS.
- THE TERMINAL #1 IDENTIFIER AND TERMINAL NUMBERING CONVENTION SHALL CONFORM TO JEDEC 95-1 SPP-012. DETAILS OF TERMINAL #1 IDENTIFIER ARE OPTIONAL, BUT MUST BE LOCATED WITHIN THE ZONE INDICATED. THE TERMINAL #1 IDENTIFIER MAY BE EITHER A MOLD OR MARKED FEATURE.
- DIMENSION b APPLIES TO METALLIZED TERMINAL AND IS MEASURED BETWEEN 0.25 mm AND 0.30 mm FROM TERMINAL TIP.
- ND AND NE REFER TO THE NUMBER OF TERMINALS ON EACH D AND E SIDE RESPECTIVELY.
- DEPOPULATION IS POSSIBLE IN A SYMMETRICAL FASHION.
- COPLANARITY APPLIES TO THE EXPOSED HEAT SINK SLUG AS WELL AS THE TERMINALS.
- DRAWING CONFORMS TO JEDEC MO220, EXCEPT EXPOSED PAD DIMENSION FOR T2855-3, T2855-6, T4055-1 AND T4055-2.
- VARRPAGE SHALL NOT EXCEED 0.10 mm.
- MARKING IS FOR PACKAGE ORIENTATION REFERENCE ONLY.
- NUMBER OF LEADS SHOWN ARE FOR REFERENCE ONLY.
- LEAD CENTERLINES TO BE AT TRUE POSITION AS DEFINED BY BASIC DIMENSION 'e', ±0.05.
- ALL DIMENSIONS APPLY TO BOTH LEADED (←) AND PbFREE (↔) PKG. CODES.

-DRAWING NOT TO SCALE-

<b>MAXIM</b>			
TITLE: PACKAGE OUTLINE, 16,20,28,32,40L THIN QFN, 5x5x0.75mm			
APPROVAL	DOCUMENT CONTROL NO.	REV.	
	21-0140	M	1/2

# ±15kV ESD-Protected, 1µA, 1Mbps 3.0V to 5.5V, RS-232 Transceivers with AutoShutdown Plus

## Package Information

(The package drawing(s) in this data sheet may not reflect the most current specifications. For the latest package outline information, go to [www.maxim-ic.com/packages](http://www.maxim-ic.com/packages).)

SYMBOL	COMMON DIMENSIONS			
	MILLIMETERS		INCHES	
	MIN.	MAX.	MIN.	MAX.
A	—	1.10	—	.043
A <sub>1</sub>	0.05	0.15	.002	.006
A <sub>2</sub>	0.85	0.95	.033	.037
b	0.19	0.30	.007	.012
b <sub>1</sub>	0.19	0.25	.007	.010
c	0.09	0.20	.004	.008
c <sub>1</sub>	0.09	0.14	.004	.006
D	SEE VARIATIONS	SEE VARIATIONS		
E	4.30	4.50	.169	.177
e	0.65 BSC		.026 BSC	
H	6.25	6.55	.246	.258
L	0.50	0.70	.020	.028
N	SEE VARIATIONS	SEE VARIATIONS		
α	0°	8°	0°	8°
bbb	0.10 MAX			

JEDEC MO-153	N	PKG. CODES	VARIATIONS			
			MILLIMETERS		INCHES	
			MIN.	MAX.	MIN.	MAX.
AB-1	14	D U14-1; U14-2	4.90	5.10	.193	.201
AB	16	D U16-1; U16-2	4.90	5.10	.193	.201
AC	20	D U20-2; U20M-2; U20-3	6.40	6.60	.252	.260
AD	24	D U24-1	7.70	7.90	.303	.311
AE	28	D U28-1; U28-2; U28-3	9.60	9.80	.378	.386

**NOTES**

- DIMENSIONS D AND E DO NOT INCLUDE FLASH
- MOLD FLASH OR PROTRUSIONS NOT TO EXCEED 0.15mm PER SIDE
- CONTROLLING DIMENSION: MILLIMETER
- MEETS JEDEC OUTLINE MO-153. SEE JEDEC VARIATIONS TABLE
- "N" REFERS TO NUMBER OF LEADS
- LEAD COPLANARITY 0.10 MM MAX.
- NUMBER OF LEADS SHOWN ARE FOR REFERENCE ONLY
- MARKING IS FOR PACKAGE ORIENTATION REFERENCE ONLY
- BENT LEAD 0.10 MM MAX.
- ALL DIMENSIONS APPLY TO BOTH LEADED (-) AND PBFREE (+) PKG. CODES.

—DRAWING NOT TO SCALE—

**MAXIM**

TITLE:  
PACKAGE OUTLINE,  
TSSOP 4.40mm BODY

APPROVAL	DOCUMENT CONTROL NO. 21-0066	REV. J	1/1
----------	---------------------------------	--------	-----

TSSOP4.40mm:EPS

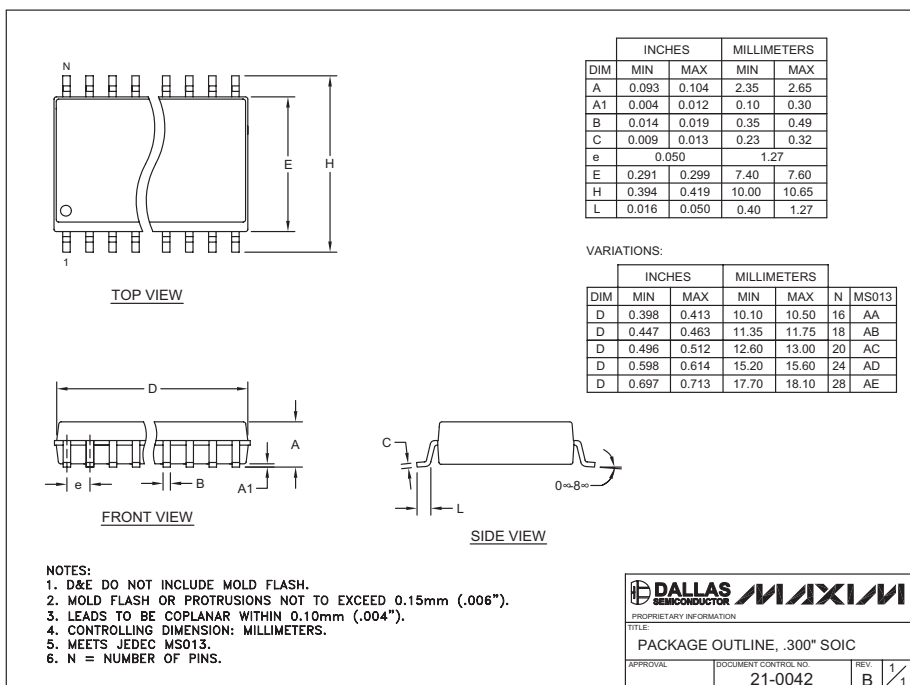
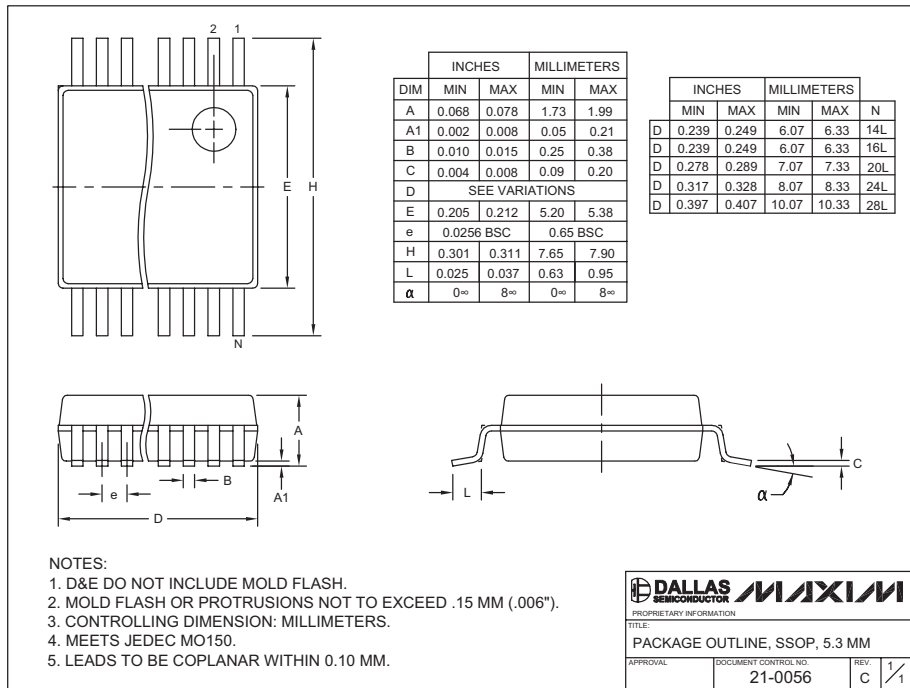


# ±15kV ESD-Protected, 1μA, 1Mbps 3.0V to 5.5V, RS-232 Transceivers with AutoShutdown Plus

## Package Information

(The package drawing(s) in this data sheet may not reflect the most current specifications. For the latest package outline information, go to [www.maxim-ic.com/packages](http://www.maxim-ic.com/packages).)

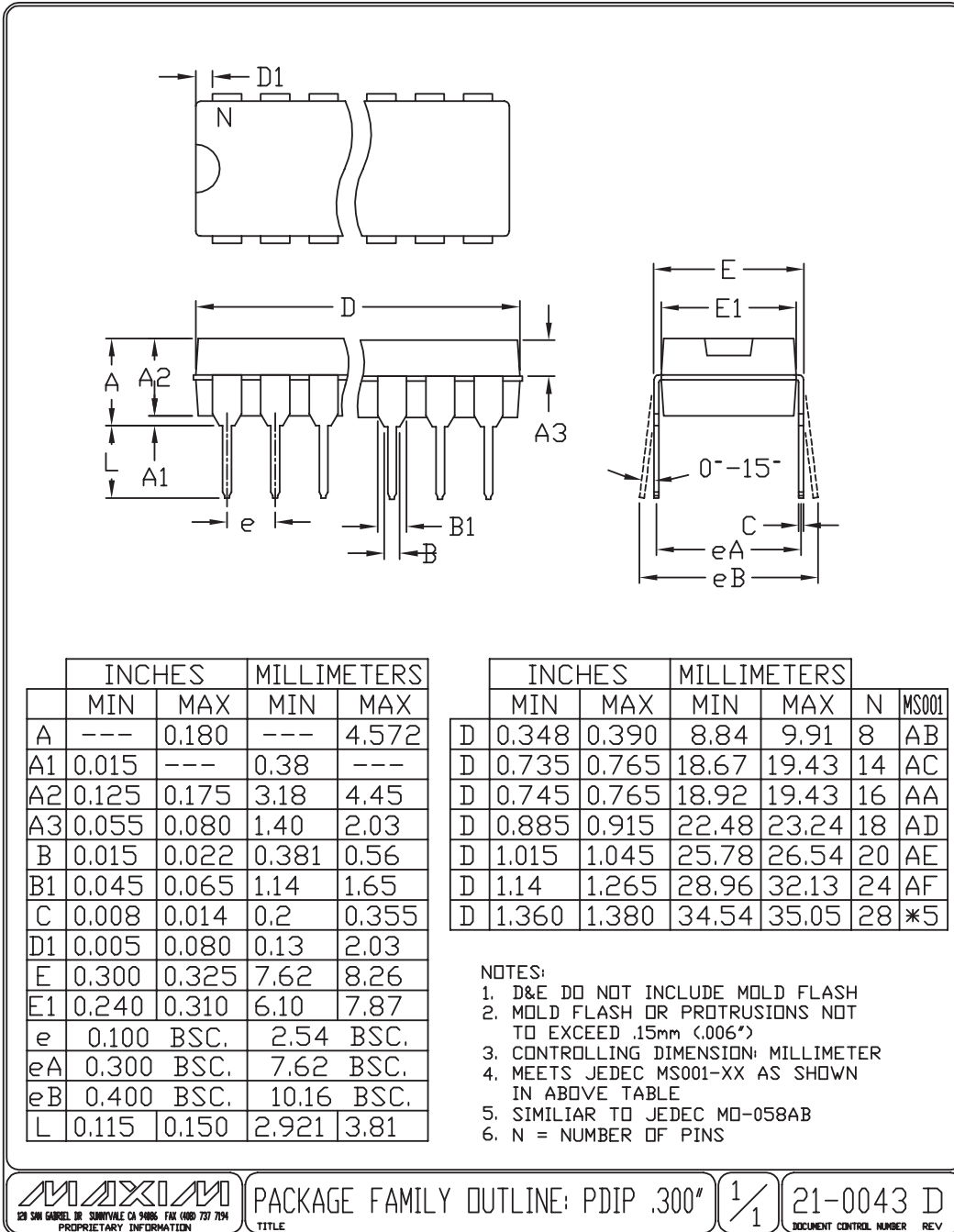
MAX3224E-MAX3227E/MAX3244E/MAX3245E



# ±15kV ESD-Protected, 1µA, 1Mbps 3.0V to 5.5V, RS-232 Transceivers with AutoShutdown Plus

## Package Information (continued)

(The package drawing(s) in this data sheet may not reflect the most current specifications. For the latest package outline information, go to [www.maxim-ic.com/packages](http://www.maxim-ic.com/packages).)



PDIPN EPS



PACKAGE FAMILY OUTLINE: PDIP .300" TITLE

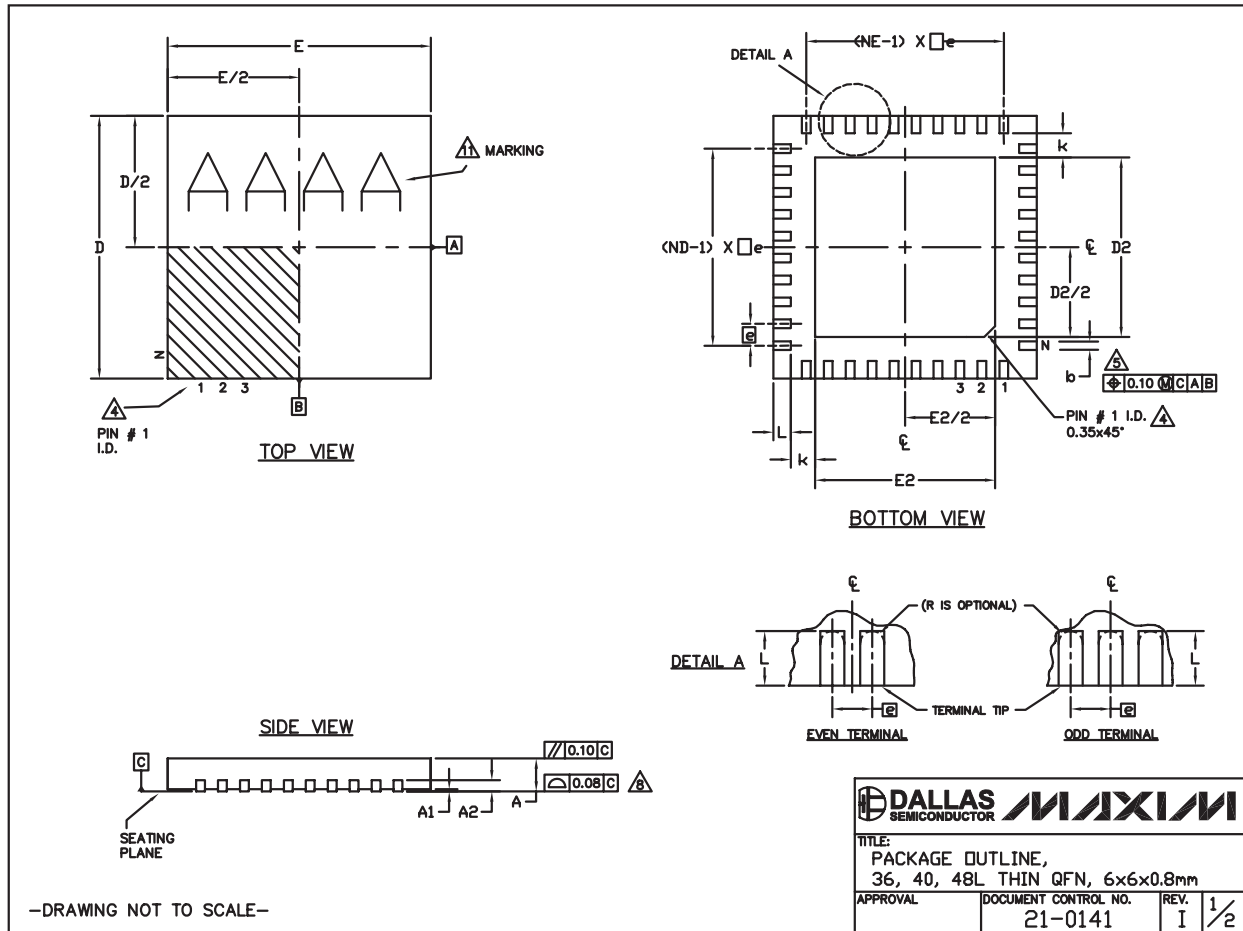
1/1

21-0043 D DOCUMENT CONTROL NUMBER REV

# ±15kV ESD-Protected, 1μA, 1Mbps 3.0V to 5.5V, RS-232 Transceivers with AutoShutdown Plus

## Package Information (continued)

(The package drawing(s) in this data sheet may not reflect the most current specifications. For the latest package outline information, go to [www.maxim-ic.com/packages](http://www.maxim-ic.com/packages).)



-DRAWING NOT TO SCALE-

TITLE: PACKAGE OUTLINE, 36, 40, 48L THIN QFN, 6x6x0.8mm		
APPROVAL	DOCUMENT CONTROL NO. 21-0141	REV. I 1/2

MAX3224E-MAX3227E/MAX3244E/MAX3245E

# ±15kV ESD-Protected, 1µA, 1Mbps 3.0V to 5.5V, RS-232 Transceivers with AutoShutdown Plus

## Package Information (continued)

(The package drawing(s) in this data sheet may not reflect the most current specifications. For the latest package outline information, go to [www.maxim-ic.com/packages](http://www.maxim-ic.com/packages).)


COMMON DIMENSIONS									
PKG.	36L 6x6			40L 6x6			48L 6x6		
SYMBOL	MIN.	NOM.	MAX.	MIN.	NOM.	MAX.	MIN.	NOM.	MAX.
A	0.70	0.75	0.80	0.70	0.75	0.80	0.70	0.75	0.80
A1	0	0.02	0.05	0	0.02	0.05	0	-	0.05
A2	0.20 REF.			0.20 REF.			0.20 REF.		
b	0.20	0.25	0.30	0.20	0.25	0.30	0.15	0.20	0.25
D	5.90	6.00	6.10	5.90	6.00	6.10	5.90	6.00	6.10
E	5.90	6.00	6.10	5.90	6.00	6.10	5.90	6.00	6.10
e	0.50 BSC.			0.50 BSC.			0.40 BSC.		
k	0.25	-	-	0.25	-	-	0.25	-	-
L	0.35	0.50	0.65	0.30	0.40	0.50	0.30	0.40	0.50
N	36			40			48		
ND	9			10			12		
NE	9			10			12		
JEDEC	WJJD-1			WJJD-2			-		

EXPOSED PAD VARIATIONS						
PKG. CODES	D2			E2		
	MIN.	NOM.	MAX.	MIN.	NOM.	MAX.
T3666-2	3.60	3.70	3.80	3.60	3.70	3.80
T3666-3	3.60	3.70	3.80	3.60	3.70	3.80
T3666N-1	3.80	3.70	3.80	3.60	3.70	3.80
T3666MN-1	3.60	3.70	3.80	3.60	3.70	3.80
T4066-2	4.00	4.10	4.20	4.00	4.10	4.20
T4066-3	4.00	4.10	4.20	4.00	4.10	4.20
T4066-5	4.00	4.10	4.20	4.00	4.10	4.20
T4866-1	4.40	4.50	4.60	4.40	4.50	4.60
T4866N-1	4.40	4.50	4.60	4.40	4.50	4.60
T4866-2	4.40	4.50	4.60	4.40	4.50	4.60

**NOTES:**

- DIMENSIONING & TOLERANCING CONFORM TO ASME Y14.5M-1994.
- ALL DIMENSIONS ARE IN MILLIMETERS. ANGLES ARE IN DEGREES.
- N IS THE TOTAL NUMBER OF TERMINALS.
- THE TERMINAL #1 IDENTIFIER AND TERMINAL NUMBERING CONVENTION SHALL CONFORM TO JESD 95-1 SPP-012. DETAILS OF TERMINAL #1 IDENTIFIER ARE OPTIONAL, BUT MUST BE LOCATED WITHIN THE ZONE INDICATED. THE TERMINAL #1 IDENTIFIER MAY BE EITHER A MOLD OR MARKED FEATURE.
- DIMENSION b APPLIES TO METALLIZED TERMINAL AND IS MEASURED BETWEEN 0.25mm AND 0.30mm FROM TERMINAL TIP.
- ND AND NE REFER TO THE NUMBER OF TERMINALS ON EACH D AND E SIDE RESPECTIVELY.
- DEPOPULATION IS POSSIBLE IN A SYMMETRICAL FASHION.
- COPLANARITY APPLIES TO THE EXPOSED HEAT SINK SLUG AS WELL AS THE TERMINALS.
- DRAWING CONFORMS TO JEDEC MO220, EXCEPT FOR 0.4mm LEAD PITCH PACKAGE T4866-1.
- WARPAGE SHALL NOT EXCEED 0.10mm.
- MARKING IS FOR PACKAGE ORIENTATION REFERENCE ONLY.
- NUMBER OF LEADS SHOWN FOR REFERENCE ONLY.
- ALL DIMENSIONS APPLY TO BOTH LEADED (-) AND PbFREE (+) PKG. CODES.

-DRAWING NOT TO SCALE-

		
TITLE: PACKAGE OUTLINE, 36, 40, 48L THIN QFN, 6x6x0.8mm		
APPROVAL	DOCUMENT CONTROL NO. 21-0141	REV. I 2/2

## Revision History

Pages changed at Rev 4: 1, 12, 20, 25, 26

Maxim cannot assume responsibility for use of any circuitry other than circuitry entirely embodied in a Maxim product. No circuit patent licenses are implied. Maxim reserves the right to change the circuitry and specifications without notice at any time.

26 **Maxim Integrated Products, 120 San Gabriel Drive, Sunnyvale, CA 94086 408-737-7600**



Enter keywords or part number

What's New

Products

Solutions

Design

AppNotes

Support

Sales

About Us

My Maxim

Maxim &gt; Products &gt; Interface, interconnect, and signal integrity devices &gt; MAX3224E, MAX3225E, MAX3226E, ...

Maxim &gt; Products &gt; Protection and isolation devices &gt; MAX3224E, MAX3225E, MAX3226E, ...

## MAX3224E, MAX3225E, MAX3226E, MAX3227E, MAX3244E, MAX3245E

±15kV ESD-Protected, 1µA, 1Mbps, 3.0V to 5.5V, RS-232 Transceivers with AutoShutdown Plus

Overview

Technical Documents

Ordering Info

User Comments (0)

All

### Status

Active: In Production.

### Ordering Information

Notes:

1. Other options and links for purchasing parts are listed at: <http://www.maxim-ic.com/sales>.
2. **Didn't Find What You Need?** Ask our applications engineers. Expert assistance in finding parts, usually within one business day.
3. Part number suffixes: T or T&R = tape and reel; + = RoHS/lead-free; # = RoHS/lead-exempt; -D = drypack; -U/+U on DS parts = cut tape. More: See [Full Data Sheet](#) or [Maxim Product Naming Conventions](#).
4. \* Some packages have variations, listed on the drawing. "PkgCode/Variation" tells which variation the product uses. Note that "+", "#", "-" in the part number suffix describes RoHS status. Package drawings may show a different suffix character.

### Filters

Part Number:

Package:

Temperature:

Tape and Reel

Devices: 1-50 of 182

<-- Previous **1 2 3 4** Next -->

MAX3224E	Free Sample	Buy	Status ?	Package: <b>TYPE PINS FOOTPRINT</b> <b>DRAWING CODE/VAR *</b>	Temp	RoHS/Lead-Free? Materials Analysis
MAX3224ECP+			Active	PDIP(N); 20 pin; 217.1 mm <sup>2</sup> Outline Drawing: <a href="#">21-0043</a> (PDF) Land Pattern: Not Applicable Use pkgcode/variation: P20+3*	0°C to +70°C	RoHS/Lead-Free: <a href="#">Lead Free Materials Analysis</a>
MAX3224EEPP+			Active	PDIP(N); 20 pin; 217.1 mm <sup>2</sup> Outline Drawing: <a href="#">21-0043</a> (PDF) Land Pattern: Not Applicable Use pkgcode/variation: P20+3*	-40°C to +85°C	RoHS/Lead-Free: <a href="#">Lead Free Materials Analysis</a>
MAX3224ECP			Active	PDIP(N); 20 pin; 217.1 mm <sup>2</sup> Outline Drawing: <a href="#">21-0043</a> (PDF) Land Pattern: Not Applicable Use pkgcode/variation: P20-3*	0°C to +70°C	RoHS/Lead-Free: <a href="#">No Materials Analysis</a>
MAX3224EEPP			Active	PDIP(N); 20 pin; 217.1 mm <sup>2</sup> Outline Drawing: <a href="#">21-0043</a> (PDF) Land Pattern: Not Applicable Use pkgcode/variation: P20-3*	-40°C to +85°C	RoHS/Lead-Free: <a href="#">No Materials Analysis</a>
MAX3224EAAP+T			Active	SSOP; Land Pattern: Not Available	-40°C to +125°C	See data sheet
MAX3224EAAP/GG8			Active	SSOP; Land Pattern: Not Available	-40°C to +125°C	See data sheet
MAX3224EAAP-T			Active	SSOP; Land Pattern: Not Available	-40°C to +125°C	See data sheet
MAX3224EAAP			Active	SSOP; 20 pin; 57.9 mm <sup>2</sup> Outline Drawing: <a href="#">21-0056</a> (PDF) Land Pattern: <a href="#">90-0094</a> (PDF) Use pkgcode/variation: A20-2*	-40°C to +125°C	RoHS/Lead-Free: <a href="#">No Materials Analysis</a>
MAX3224EAAP+			Active	SSOP; 20 pin; 57.9 mm <sup>2</sup> Outline Drawing: <a href="#">21-0056</a> (PDF) Land Pattern: <a href="#">90-0094</a> (PDF) Use pkgcode/variation: A20+2*	-40°C to +125°C	RoHS/Lead-Free: <a href="#">Lead Free Materials Analysis</a>

MAX3224ECAP+T			Active	SSOP; 20 pin; 57.9 mm <sup>2</sup> Outline Drawing: <a href="#">21-0056</a> (PDF) Land Pattern: <a href="#">90-0094</a> (PDF) Use pkgcode/variation: A20+2*	0°C to +70°C	RoHS/Lead-Free: <a href="#">Lead Free Materials Analysis</a>
MAX3224ECAP			Active	SSOP; 20 pin; 57.9 mm <sup>2</sup> Outline Drawing: <a href="#">21-0056</a> (PDF) Land Pattern: <a href="#">90-0094</a> (PDF) Use pkgcode/variation: A20-2*	0°C to +70°C	RoHS/Lead-Free: <a href="#">No Materials Analysis</a>
MAX3224ECAP-T			Active	SSOP; 20 pin; 57.9 mm <sup>2</sup> Outline Drawing: <a href="#">21-0056</a> (PDF) Land Pattern: <a href="#">90-0094</a> (PDF) Use pkgcode/variation: A20-2*	0°C to +70°C	RoHS/Lead-Free: <a href="#">No Materials Analysis</a>
MAX3224ECAP+			Active	SSOP; 20 pin; 57.9 mm <sup>2</sup> Outline Drawing: <a href="#">21-0056</a> (PDF) Land Pattern: <a href="#">90-0094</a> (PDF) Use pkgcode/variation: A20+2*	0°C to +70°C	RoHS/Lead-Free: <a href="#">Lead Free Materials Analysis</a>
MAX3224EEAP+T			Active	SSOP; 20 pin; 57.9 mm <sup>2</sup> Outline Drawing: <a href="#">21-0056</a> (PDF) Land Pattern: <a href="#">90-0094</a> (PDF) Use pkgcode/variation: A20+2*	-40°C to +85°C	RoHS/Lead-Free: <a href="#">Lead Free Materials Analysis</a>
MAX3224EEAP			Active	SSOP; 20 pin; 57.9 mm <sup>2</sup> Outline Drawing: <a href="#">21-0056</a> (PDF) Land Pattern: <a href="#">90-0094</a> (PDF) Use pkgcode/variation: A20-2*	-40°C to +85°C	RoHS/Lead-Free: <a href="#">No Materials Analysis</a>
MAX3224EEAP+			Active	SSOP; 20 pin; 57.9 mm <sup>2</sup> Outline Drawing: <a href="#">21-0056</a> (PDF) Land Pattern: <a href="#">90-0094</a> (PDF) Use pkgcode/variation: A20+2*	-40°C to +85°C	RoHS/Lead-Free: <a href="#">Lead Free Materials Analysis</a>
MAX3224EEAP-T			Active	SSOP; 20 pin Land Pattern: Not Available	-40°C to +85°C	See data sheet
MAX3224EETP+T			Active	TQFN; 20 pin; 26 mm <sup>2</sup> Outline Drawing: <a href="#">21-0140</a> (PDF) Land Pattern: <a href="#">90-0010</a> (PDF) Use pkgcode/variation: T2055+5*	-40°C to +85°C	RoHS/Lead-Free: <a href="#">Lead Free Materials Analysis</a>



MAX3224EETP+			Active	TQFN; 20 pin; 26 mm <sup>2</sup> Outline Drawing: <a href="#">21-0140</a> (PDF) Land Pattern: <a href="#">90-0010</a> (PDF) Use pkgcode/variation: T2055+5*	-40°C to +85°C	RoHS/Lead-Free: <a href="#">Lead Free Materials Analysis</a>
MAX3224ECTP			Active	TQFN; 20 pin; 26 mm <sup>2</sup> Outline Drawing: <a href="#">21-0140</a> (PDF) Land Pattern: <a href="#">90-0010</a> (PDF) Use pkgcode/variation: T2055-5*	-40°C to +85°C	RoHS/Lead-Free: <a href="#">No Materials Analysis</a>
MAX3224EETP			Active	TQFN; 20 pin; 26 mm <sup>2</sup> Outline Drawing: <a href="#">21-0140</a> (PDF) Land Pattern: <a href="#">90-0010</a> (PDF) Use pkgcode/variation: T2055-5*	-40°C to +85°C	RoHS/Lead-Free: <a href="#">No Materials Analysis</a>
MAX3224EETP-T			Active	TQFN; 20 pin  Land Pattern: Not Available	-40°C to +85°C	See data sheet
MAX3224ECTP-T			Active	TQFN; 20 pin  Land Pattern: Not Available	-40°C to +85°C	See data sheet
MAX3224ECUP+			Active	TSSOP; 20 pin; 45.2 mm <sup>2</sup> Outline Drawing: <a href="#">21-0066</a> (PDF) Land Pattern: <a href="#">90-0116</a> (PDF) Use pkgcode/variation: U20+2*	0°C to +70°C	RoHS/Lead-Free: <a href="#">Lead Free Materials Analysis</a>
MAX3224ECUP+T			Active	TSSOP; 20 pin; 45.2 mm <sup>2</sup> Outline Drawing: <a href="#">21-0066</a> (PDF) Land Pattern: <a href="#">90-0116</a> (PDF) Use pkgcode/variation: U20+2*	0°C to +70°C	RoHS/Lead-Free: <a href="#">Lead Free Materials Analysis</a>
MAX3224ECUP-T			Active	TSSOP; 20 pin  Land Pattern: Not Available	0°C to +70°C	See data sheet
MAX3224ECUP			Active	TSSOP; 20 pin; 45.2 mm <sup>2</sup> Outline Drawing: <a href="#">21-0066</a> (PDF) Land Pattern: <a href="#">90-0116</a> (PDF) Use pkgcode/variation: U20-2*	0°C to +70°C	RoHS/Lead-Free: <a href="#">No Materials Analysis</a>
MAX3224EEUP-T			Active	TSSOP; 20 pin; 45.2 mm <sup>2</sup> Outline Drawing: <a href="#">21-0066</a> (PDF) Land Pattern: <a href="#">90-0116</a> (PDF) Use pkgcode/variation: U20-2*	-40°C to +85°C	RoHS/Lead-Free: <a href="#">No Materials Analysis</a>

MAX3224EEUP+T			Active	TSSOP; 20 pin; 45.2 mm <sup>2</sup> Outline Drawing: <a href="#">21-0066</a> (PDF) Land Pattern: <a href="#">90-0116</a> (PDF) Use pkgcode/variation: U20+2*	-40°C to +85°C	RoHS/Lead-Free: <a href="#">Lead Free Materials Analysis</a>
MAX3224EEUP			Active	TSSOP; 20 pin; 45.2 mm <sup>2</sup> Outline Drawing: <a href="#">21-0066</a> (PDF) Land Pattern: <a href="#">90-0116</a> (PDF) Use pkgcode/variation: U20-2*	-40°C to +85°C	RoHS/Lead-Free: <a href="#">No Materials Analysis</a>
MAX3224EEUP+			Active	TSSOP; 20 pin; 45.2 mm <sup>2</sup> Outline Drawing: <a href="#">21-0066</a> (PDF) Land Pattern: <a href="#">90-0116</a> (PDF) Use pkgcode/variation: U20+2*	-40°C to +85°C	RoHS/Lead-Free: <a href="#">Lead Free Materials Analysis</a>
<b>MAX3225E</b>	<b>Free Sample</b>	<b>Buy</b>	<b>Status</b> 	<b>Package: TYPE PINS FOOTPRINT DRAWING CODE/VAR *</b>	<b>Temp</b>	<b>RoHS/Lead-Free? Materials Analysis</b>
MAX3225EEPP+			Active	PDIP(N); 20 pin; 217.1 mm <sup>2</sup> Outline Drawing: <a href="#">21-0043</a> (PDF) Land Pattern: Not Applicable Use pkgcode/variation: P20+3*	-40°C to +85°C	RoHS/Lead-Free: <a href="#">Lead Free Materials Analysis</a>
MAX3225ECP			Active	PDIP(N); 20 pin; 217.1 mm <sup>2</sup> Outline Drawing: <a href="#">21-0043</a> (PDF) Land Pattern: Not Applicable Use pkgcode/variation: P20-3*	0°C to +70°C	RoHS/Lead-Free: <a href="#">No Materials Analysis</a>
MAX3225EEPP			Active	PDIP(N); 20 pin; 217.1 mm <sup>2</sup> Outline Drawing: <a href="#">21-0043</a> (PDF) Land Pattern: Not Applicable Use pkgcode/variation: P20-3*	-40°C to +85°C	RoHS/Lead-Free: <a href="#">No Materials Analysis</a>
MAX3225EAAP+T			Active	SSOP; 20 pin; 57.9 mm <sup>2</sup> Outline Drawing: <a href="#">21-0056</a> (PDF) Land Pattern: <a href="#">90-0094</a> (PDF) Use pkgcode/variation: A20+2*	-40°C to +125°C	RoHS/Lead-Free: <a href="#">Lead Free Materials Analysis</a>
MAX3225EAAP-T			Active	SSOP; Land Pattern: Not Available	-40°C to +125°C	See data sheet
MAX3225EAAP			Active	SSOP; 20 pin; 57.9 mm <sup>2</sup> Outline Drawing: <a href="#">21-0056</a> (PDF) Land Pattern: <a href="#">90-0094</a> (PDF) Use pkgcode/variation: A20-2*	-40°C to +125°C	RoHS/Lead-Free: <a href="#">No Materials Analysis</a>

MAX3225EAAP+			Active	SSOP; 20 pin; 57.9 mm <sup>2</sup> Outline Drawing: <a href="#">21-0056</a> (PDF) Land Pattern: <a href="#">90-0094</a> (PDF) Use pkgcode/variation: A20+2*	-40°C to +125°C	RoHS/Lead-Free: <a href="#">Lead Free Materials Analysis</a>
MAX3225ECAP+T			Active	SSOP; 20 pin; 57.9 mm <sup>2</sup> Outline Drawing: <a href="#">21-0056</a> (PDF) Land Pattern: <a href="#">90-0094</a> (PDF) Use pkgcode/variation: A20+2*	0°C to +70°C	RoHS/Lead-Free: <a href="#">Lead Free Materials Analysis</a>
MAX3225ECAP+			Active	SSOP; 20 pin; 57.9 mm <sup>2</sup> Outline Drawing: <a href="#">21-0056</a> (PDF) Land Pattern: <a href="#">90-0094</a> (PDF) Use pkgcode/variation: A20+2*	0°C to +70°C	RoHS/Lead-Free: <a href="#">Lead Free Materials Analysis</a>
MAX3225ECAP			Active	SSOP; 20 pin; 57.9 mm <sup>2</sup> Outline Drawing: <a href="#">21-0056</a> (PDF) Land Pattern: <a href="#">90-0094</a> (PDF) Use pkgcode/variation: A20-2*	0°C to +70°C	RoHS/Lead-Free: <a href="#">No Materials Analysis</a>
MAX3225ECAP-T			Active	SSOP; 20 pin; 57.9 mm <sup>2</sup> Outline Drawing: <a href="#">21-0056</a> (PDF) Land Pattern: <a href="#">90-0094</a> (PDF) Use pkgcode/variation: A20-2*	0°C to +70°C	RoHS/Lead-Free: <a href="#">No Materials Analysis</a>
MAX3225EEAP			Active	SSOP; 20 pin; 57.9 mm <sup>2</sup> Outline Drawing: <a href="#">21-0056</a> (PDF) Land Pattern: <a href="#">90-0094</a> (PDF) Use pkgcode/variation: A20-2*	-40°C to +85°C	RoHS/Lead-Free: <a href="#">No Materials Analysis</a>
MAX3225EEAP-T			Active	SSOP; 20 pin; 57.9 mm <sup>2</sup> Outline Drawing: <a href="#">21-0056</a> (PDF) Land Pattern: <a href="#">90-0094</a> (PDF) Use pkgcode/variation: A20-2*	-40°C to +85°C	RoHS/Lead-Free: <a href="#">No Materials Analysis</a>
MAX3225EEAP+T			Active	SSOP; 20 pin; 57.9 mm <sup>2</sup> Outline Drawing: <a href="#">21-0056</a> (PDF) Land Pattern: <a href="#">90-0094</a> (PDF) Use pkgcode/variation: A20+2*	-40°C to +85°C	RoHS/Lead-Free: <a href="#">Lead Free Materials Analysis</a>
MAX3225EEAP+			Active	SSOP; 20 pin; 57.9 mm <sup>2</sup> Outline Drawing: <a href="#">21-0056</a> (PDF) Land Pattern: <a href="#">90-0094</a> (PDF) Use pkgcode/variation: A20+2*	-40°C to +85°C	RoHS/Lead-Free: <a href="#">Lead Free Materials Analysis</a>

MAX3225EETP+			Active	TQFN; 20 pin; 26 mm <sup>2</sup> Outline Drawing: <a href="#">21-0140</a> (PDF) Land Pattern: <a href="#">90-0010</a> (PDF) Use pkgcode/variation: T2055+5*	-40°C to +85°C	RoHS/Lead-Free: <a href="#">Lead Free Materials Analysis</a>
MAX3225ECTP+			Active	TQFN; 20 pin; 26 mm <sup>2</sup> Outline Drawing: <a href="#">21-0140</a> (PDF) Land Pattern: <a href="#">90-0010</a> (PDF) Use pkgcode/variation: T2055+5*	-40°C to +85°C	RoHS/Lead-Free: <a href="#">Lead Free Materials Analysis</a>
MAX3225ECTP+T			Active	TQFN; Land Pattern: Not Available	-40°C to +85°C	See data sheet
MAX3225EETP+T			Active	TQFN; 20 pin; 26 mm <sup>2</sup> Outline Drawing: <a href="#">21-0140</a> (PDF) Land Pattern: <a href="#">90-0010</a> (PDF) Use pkgcode/variation: T2055+5*	-40°C to +85°C	RoHS/Lead-Free: <a href="#">Lead Free Materials Analysis</a>

Devices: 1-50 of 182

<-- Previous **1 2 3 4** Next -->**Didn't Find What You Need?**

- [Next Day Product Selection Assistance from Applications Engineers](#)
- [Parametric Search](#)
- [Applications Help](#)

Document Ref.: 19-1339 Rev 9; 2007-03-14  
This page last modified: 2010-05-06

[Contact Us](#) • [Rate This Page](#) • [Mail This Page](#) • [Privacy Policy](#) • [Legal Notices](#)

Copyright © 2010 by Maxim Integrated Products