



An Acuity Brands Company

SUITABLE FOR WET LOCATIONS IP68



# M9410/M9430 SERIES MODULAR IN-GRADE LUMINAIRE SINGLE LENS

## DESCRIPTION

Hydrel's M9410/M9430 Series modular in-grade lights are multi-purpose units designed for uplighting architectural and landscape features. These units can be flush mounted into a variety of substrates or landscape materials.

The M9410/M9430 consists of a factory-sealed, thermally protected lamp module and encapsulated power module. The components are secured inside a heavy-duty polymer rough-in housing designed with channeled convective cooling, an integral junction box, and finish door trim assembly.

## FEATURES & SPECIFICATIONS

**DOOR MATERIAL:** Cast Aluminum, cast bronze, cast aluminum or bronze with stainless perforated trim insert or Stainless Steel. Available in round or square door trim.

**ROUGH-IN SECTION:** Injection molded polymer with integral junction box for thru-branch wiring. The housing is U.V. stabilized, impact and corrosion resistant for use in all types of environments. The rough-in has a cylinder or side-car configuration and houses the lamp and power module components and top door finishing section.

**LAMP MODULE:** Stainless steel housing, factory-sealed and purged of all moisture for longer component life. Lens is sealed with silicone gasket and stainless steel clamp band assembly with single fastener. Electrical connection to lamp module is done through a submersible quick pull plug connector with gold-plated contacts. Unit is thermally protected. LAMP INCLUDED.

- LAMP TYPE:**
- Low Voltage:** MR-16 bi-pin base, 75 Watt max., PAR-36 screw terminal base, 75 Watt max.
  - Incandescent:** T-4 quartz halogen mini-can or B15d base, 100 Watt max.
  - Fluorescent:** Triple tube CFL 4-pin base, 32 Watt max.
  - HID:** T-4 or T-6 bi-pin base, 70 Watt max., PAR-20 or PAR-30 medium or E27 base, 70 Watt max. Color Corrected Metal Halide

If a specific lamp is desired, specify manufacturer's lamp number, most lamps can be supplied. LAMP INCLUDED.

**VOLTAGE:** See ordering guide.

**LIGHT DISTRIBUTION:** See ordering guide.

**FINISHING SECTION:** Single lens design includes door assembly with 360° Aim-Lock™ lamp module support ring. Module indexing provides easy maintenance and relamping without re-aiming. Active optical lenses are also available. Door trim locks into position with two stainless steel captive, tamper-resistant fasteners.

**POWER MODULE:** Ballast /Transformer is encapsulated in a custom designed heat-dissipating epoxy resin that also eliminates all moisture intrusion to the ballast. Module is provided with submersible rated cord leads for connection to integral junction box and lamp module. Standard ballast is high power factor, low starting temperature; fluorescent electronic or HID magnetic. HID electronic ballast also available.

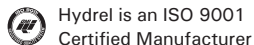
**CONDUIT ENTRIES:** Two (2) bottom or side entries available. Box suitable for thru-branch wiring. Splicing volume is 25 in<sup>3</sup> (410 ccm).

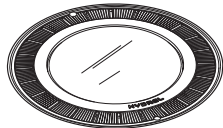
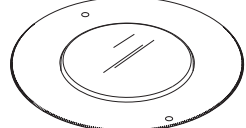
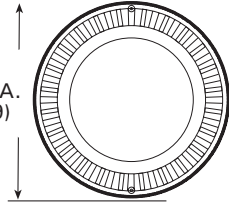
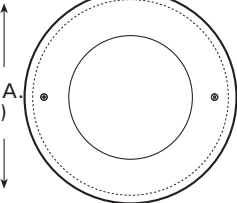
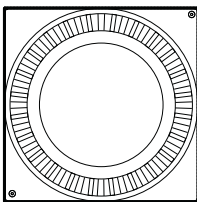
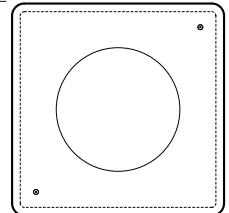
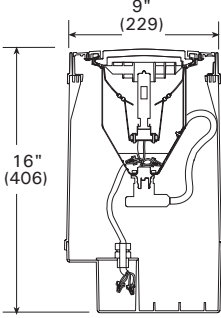
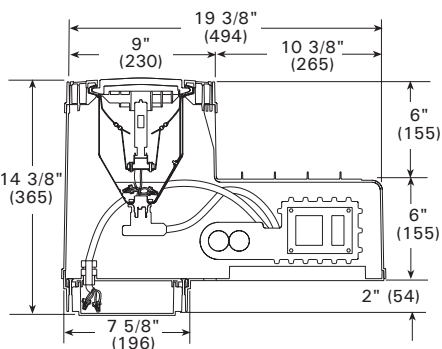
**NOTE:** Potting compound (PC21) recommended for junction box splices. PC21 sold separately.

**ACCESSORIES:** See ordering guide.

**FINISH:** Finish is natural aluminum or bronze. Stainless steel door is brushed finish. Aluminum doors may be painted. See ordering guide for color options.

**LISTING:** U.L., CE



TYPE		JOB NAME	
PART NUMBER			
Model Material Lamp Type Voltage Distribution Lens Conduit Entries Accessories Options Lamp Finish List			
 Bronze or Aluminum Round		 Stainless Steel Round	
 9" DIA. (229)		 10" DIA. (254)	
 9" SQ. (229)		 10" SQ. (254)	
 Incandescent & Fluorescent Rough-In Housing		 HID Rough-In Housing	
APPROVALS			

# M9410/M9430 ORDERING INFORMATION

## 60 Hz Application

Choose the boldface catalog nomenclature that best suits your needs.

**PART NO.**

### EXAMPLE:

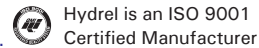
M9410	SS	70CMT6	120	NSP	FLC10	34B	ISS	SF	LP	
<b>Material</b>		<b>Voltage</b>		<b>Distribution<sup>6</sup></b>		<b>Conduit Entry</b>		<b>Options</b>		
<input type="checkbox"/> <b>A</b> Aluminum <input type="checkbox"/> <b>B</b> Bronze <input type="checkbox"/> <b>ASP<sup>1</sup></b> Alum. Stainless Perf. <input type="checkbox"/> <b>BBP<sup>1</sup></b> Bronze Bronze Perf. <input type="checkbox"/> <b>BSP<sup>1</sup></b> Bronze Stainless Perf. <input type="checkbox"/> <b>SS</b> Stainless Steel		<input type="checkbox"/> <b>12<sup>4</sup></b> <input type="checkbox"/> <b>120</b> <input type="checkbox"/> <b>208</b> <input type="checkbox"/> <b>220</b> <input type="checkbox"/> <b>240</b> <input type="checkbox"/> <b>277</b> <input type="checkbox"/> <b>347</b> <input type="checkbox"/> <b>MVOLT<sup>5</sup></b>		<input type="checkbox"/> <b>NSP</b> Narrow Spot <input type="checkbox"/> <b>SP</b> Spot <input type="checkbox"/> <b>NFL</b> Narrow Flood <input type="checkbox"/> <b>MFL</b> Medium Flood <input type="checkbox"/> <b>FL</b> Flood <input type="checkbox"/> <b>WFL</b> Wide Flood <input type="checkbox"/> <b>WWD<sup>7</sup></b> Wall Wash Distribution <input type="checkbox"/> <b>ASY<sup>8</sup></b> Asymmetric		<input type="checkbox"/> <b>12B</b> 1/2" NPT bottom <input type="checkbox"/> <b>12S</b> 1/2" NPT side <input type="checkbox"/> <b>34B</b> 3/4" NPT bottom <input type="checkbox"/> <b>34S</b> 3/4" NPT side		<b>Fusing</b> <input type="checkbox"/> <b>SF<sup>15</sup></b> Single Fuse <input type="checkbox"/> <b>DF<sup>16</sup></b> Double Fuse <b>Ballasting<sup>17</sup></b> <input type="checkbox"/> <b>GEB</b> Electronic Ballast <input type="checkbox"/> <b>MLEBAD<sup>18</sup></b> Analog Dimming Ballast		
<b>Model</b>	<b>Lamp Type</b>			<b>Lens</b>		<b>Accessories</b>			<b>Lamp</b>	
<input type="checkbox"/> <b>M9410</b> Round <input type="checkbox"/> <b>M9430</b> Square	<b>Low Voltage</b> <input type="checkbox"/> <b>M50</b> MR16, GX5.3 base <input type="checkbox"/> <b>M75</b> MR16, GX5.3 base <input type="checkbox"/> <b>P3650ILV</b> PAR36, screw terminal base <input type="checkbox"/> <b>P3675ILV</b> PAR36, screw terminal base <b>Incandescent<sup>2</sup></b> <input type="checkbox"/> <b>P2050I</b> PAR20, med. base <input type="checkbox"/> <b>P3050I</b> PAR30, med. base <input type="checkbox"/> <b>P3075I</b> PAR30, med. base <input type="checkbox"/> <b>100Q</b> T4, mini-can base <b>Fluorescent</b> <input type="checkbox"/> <b>18TRT</b> Triple Tube, GX24q2 base <input type="checkbox"/> <b>26TRT</b> Triple Tube, GX24q3 base <input type="checkbox"/> <b>32TRT</b> Triple Tube, GX24q3 base <b>MH</b> <input type="checkbox"/> <b>20CMT4<sup>3</sup></b> T4, G8.5 base <input type="checkbox"/> <b>35CMT4<sup>3</sup></b> T4, G8.5 base <input type="checkbox"/> <b>35CMT6</b> T6, G12 base <input type="checkbox"/> <b>70CMT4</b> T4, G8.5 base <input type="checkbox"/> <b>70CMT6</b> T6, G12 base <input type="checkbox"/> <b>P2035CM</b> PAR20, med. base <input type="checkbox"/> <b>P3035CM</b> PAR30, med. base <input type="checkbox"/> <b>P3070CM</b> PAR30, med. base			<input type="checkbox"/> <b>FLC</b> Flat Lens Clear <input type="checkbox"/> <b>FLC5<sup>9</sup></b> Flat Lens Clear, 5° axial <input type="checkbox"/> <b>FLC10</b> Flat Lens Clear, 10° tilt <input type="checkbox"/> <b>FLC20</b> Flat Lens Clear, 20° tilt <input type="checkbox"/> <b>FLF</b> Flat Lens Frosted <input type="checkbox"/> <b>FLF5<sup>10</sup></b> Flat Lens Frosted, 5° axial <input type="checkbox"/> <b>FLCAS</b> Flat Lens Clear, Anti-Slip <input type="checkbox"/> <b>CLC</b> Convex Lens, Clear <input type="checkbox"/> <b>CLF</b> Convex Lens, Frosted		<b>Internal<sup>11</sup></b> <input type="checkbox"/> <b>IHL</b> Honeycomb Louver <input type="checkbox"/> <b>ISS<sup>12</sup></b> Source Shield <input type="checkbox"/> <b>LSF<sup>13</sup></b> Linear Spread Filter <input type="checkbox"/> <b>CFAMB<sup>13</sup></b> Color Filter Amber <input type="checkbox"/> <b>CFBLU<sup>13</sup></b> Color Filter Blue <input type="checkbox"/> <b>CFGRN<sup>13</sup></b> Color Filter Green <input type="checkbox"/> <b>CFRED<sup>13</sup></b> Color Filter Red <input type="checkbox"/> <b>WWL</b> Wall Wash Louver <b>External<sup>11,14</sup></b> <input type="checkbox"/> <b>GS</b> Glare Shield <input type="checkbox"/> <b>LC</b> Lexan Cover <input type="checkbox"/> <b>LS</b> Light Shield <input type="checkbox"/> <b>RG<sup>13</sup></b> Rock Guard <b>Trims<sup>11,14</sup></b> <input type="checkbox"/> <b>BTR</b> Bronze Round <input type="checkbox"/> <b>BTS</b> Bronze Square <input type="checkbox"/> <b>STR</b> Stainless Round <input type="checkbox"/> <b>STS</b> Stainless Square			<input type="checkbox"/> <b>LP</b> Lamp Installed	
									<b>Finish<sup>19</sup></b>	
									<input type="checkbox"/> <b>BL</b> Black <input type="checkbox"/> <b>BZ</b> Bronze <input type="checkbox"/> <b>DDB</b> Dark Bronze <input type="checkbox"/> <b>DNA</b> Natural Alum. <input type="checkbox"/> <b>GN</b> Green <input type="checkbox"/> <b>GR</b> Gray <input type="checkbox"/> <b>SND</b> Sand <input type="checkbox"/> <b>STG</b> Steel Gray <input type="checkbox"/> <b>TVG</b> Terra Verde Green <input type="checkbox"/> <b>WH</b> White <input type="checkbox"/> <b>CF</b> Custom Finish	

**M9400 Series Assembly** MRIS94 Rough-In Housing  
**consists of the following** MFS94 Finishing Section  
**individual component** MACS Lamp Module  
**parts:** MHSL94 Ballast Module

### Notes:

- <sup>1</sup> Not Available with M9430 square model.
- <sup>2</sup> Incandescent models available with 120 Volt only.
- <sup>3</sup> Lamps available with GEB or MLEBAD electronic MVOLT (120V-277V) ballast only.
- <sup>4</sup> Available for Low Voltage lamps only. Remote 12V power supply required (sold separately).
- <sup>5</sup> MVOLT is standard on all Fluorescent lamps and MH lamps with GEB or MLEBAD ballast option.
- <sup>6</sup> Not all distributions are valid with all lamp types, consult lamp manufacturers' specifications.
- <sup>7</sup> WWD distribution available with T4 G8.5 base MH, T4 mini-can base Incandescent, or Fluorescent lamps only.
- <sup>8</sup> ASY distribution available with Fluorescent lamps only.
- <sup>9</sup> FLC5 lens standard with WWD distribution using Fluorescent lamps.
- <sup>10</sup> FLF5 lens standard with WWD distribution using MH or incandescent lamps.

- <sup>11</sup> Accessories are mutually exclusive, choose one only.
- <sup>12</sup> ISS available with T6 and T4 lamps only. Not available with WWD distribution.
- <sup>13</sup> Not available with CLC or CLF convex lens.
- <sup>14</sup> Accessory not available with SS door material.
- <sup>15</sup> SF available with 120, 277 or 347 supply voltages on MH fixtures only.
- <sup>16</sup> DF available with 208, 220 or 240 supply voltages on MH fixtures only.
- <sup>17</sup> Ballast options available with MH lamps only.
- <sup>18</sup> 0-10 Volt remote analog powered dimmer system with additional supply wiring required (by others).
- <sup>19</sup> Door material finish is natural cast aluminum (A) or cast bronze (B) unless specified. Stainless steel (SS) door available with brushed finish standard.



# M9410/M9430 ORDERING INFORMATION

## 50 Hz Application

Choose the boldface catalog nomenclature that best suits your needs.

**PART NO.**

### EXAMPLE:

M9410	SS	70CMT6	23050HZ	NSP	FLC10	16B	ISS	LP	IEC	
<b>Material</b>		<b>Voltage</b>		<b>Distribution<sup>5</sup></b>		<b>Conduit Entry</b>		<b>Options</b>		<b>Listing</b>
<input type="checkbox"/> <b>A</b> Aluminum <input type="checkbox"/> <b>B</b> Bronze <input type="checkbox"/> <b>SS</b> Stainless Steel <input type="checkbox"/> <b>ASP<sup>1</sup></b> Alum. Stainless Perf. <input type="checkbox"/> <b>BBP<sup>1</sup></b> Bronze Bronze Perf. <input type="checkbox"/> <b>BSP<sup>1</sup></b> Bronze Stainless Perf.		<input type="checkbox"/> <b>12<sup>3</sup></b> <input type="checkbox"/> <b>22050HZ</b> <input type="checkbox"/> <b>23050HZ</b> <input type="checkbox"/> <b>24050HZ</b> <input type="checkbox"/> <b>MVOLT<sup>4</sup></b>		<input type="checkbox"/> <b>NSP</b> Narrow Spot <input type="checkbox"/> <b>SP</b> Spot <input type="checkbox"/> <b>NFL</b> Narrow Flood <input type="checkbox"/> <b>MFL</b> Medium Flood <input type="checkbox"/> <b>FL</b> Flood <input type="checkbox"/> <b>WFL</b> Wide Flood <input type="checkbox"/> <b>WWD<sup>6</sup></b> Wall Wash Distribution <input type="checkbox"/> <b>ASY<sup>7</sup></b> Asymmetric		<input type="checkbox"/> <b>16B</b> PG16 bottom <input type="checkbox"/> <b>20B</b> 20mm bottom <input type="checkbox"/> <b>16S</b> PG16 side <input type="checkbox"/> <b>20S</b> 20mm side <input type="checkbox"/> <b>25S</b> 25mm bottom		<b>Ballasting<sup>14</sup></b> <input type="checkbox"/> <b>GEB</b> Electronic Ballast <input type="checkbox"/> <b>MLEBAD<sup>15</sup></b> Analog Dimming Ballast		<input type="checkbox"/> <b>IEC</b> International Electronic Commission
<b>Model</b>		<b>Lamp Type</b>		<b>Lens</b>		<b>Accessories</b>		<b>Lamp</b>		<b>Finish<sup>16</sup></b>
<input type="checkbox"/> <b>M9410</b> Round <input type="checkbox"/> <b>M9430</b> Square		<b>Low Voltage</b> <input type="checkbox"/> <b>M50</b> MR16 GX5.3 base <input type="checkbox"/> <b>M75</b> MR16 GX5.3 base <input type="checkbox"/> <b>P3650ILV</b> PAR36 screw terminal base <input type="checkbox"/> <b>P3675ILV</b> PAR36 screw terminal base <b>Incandescent</b> <input type="checkbox"/> <b>P2050I</b> PAR20 E27 base <input type="checkbox"/> <b>P3050I</b> PAR30 E27 base <input type="checkbox"/> <b>P3075I</b> PAR30 E27 base <input type="checkbox"/> <b>100Q</b> T4, mini-can <b>Fluorescent</b> <input type="checkbox"/> <b>18TRT</b> Triple Tube GX24q2 base <input type="checkbox"/> <b>26TRT</b> Triple Tube GX24q3 base <input type="checkbox"/> <b>32TRT</b> Triple Tube GX24q3 base <b>MH</b> <input type="checkbox"/> <b>20CMT4<sup>2</sup></b> T4 G8.5 base <input type="checkbox"/> <b>35CMT4<sup>2</sup></b> T4 G8.5 base <input type="checkbox"/> <b>35CMT6</b> T6 G12 base <input type="checkbox"/> <b>70CMT4</b> T4 G8.5 base <input type="checkbox"/> <b>70CMT6</b> T6 G12 base <input type="checkbox"/> <b>P2035CM</b> PAR20 E27 base <input type="checkbox"/> <b>P3035CM</b> PAR30 E27 base <input type="checkbox"/> <b>P3070CM</b> PAR30 E27 base		<input type="checkbox"/> <b>FLC</b> Flat Lens Clear <input type="checkbox"/> <b>FLC5<sup>8</sup></b> Flat Lens Clear, 5° axial <input type="checkbox"/> <b>FLC10</b> Flat Lens Clear, 10° tilt <input type="checkbox"/> <b>FLC20</b> Flat Lens Clear, 20° tilt <input type="checkbox"/> <b>FLF</b> Flat Lens Frosted <input type="checkbox"/> <b>FLF5<sup>9</sup></b> Flat Lens Frosted, 5° axial <input type="checkbox"/> <b>FLCAS</b> Flat Lens Clear, Anti-Slip <input type="checkbox"/> <b>CLC</b> Convex Lens, Clear <input type="checkbox"/> <b>CLF</b> Convex Lens, Frosted		<b>Internal<sup>10</sup></b> <input type="checkbox"/> <b>IHL</b> Honeycomb Louver <input type="checkbox"/> <b>ISS<sup>11</sup></b> Source Shield <input type="checkbox"/> <b>LSF<sup>12</sup></b> Linear Spread Filter <input type="checkbox"/> <b>CFAMB<sup>12</sup></b> Color Filter Amber <input type="checkbox"/> <b>CFBLU<sup>12</sup></b> Color Filter Blue <input type="checkbox"/> <b>CFGRN<sup>12</sup></b> Color Filter Green <input type="checkbox"/> <b>CFRED<sup>12</sup></b> Color Filter Red <input type="checkbox"/> <b>WWL</b> Wall Wash Louver <b>External<sup>10, 13</sup></b> <input type="checkbox"/> <b>GS</b> Glare Shield <input type="checkbox"/> <b>LC</b> Lexan Cover <input type="checkbox"/> <b>LS</b> Light Shield <input type="checkbox"/> <b>RG<sup>12</sup></b> Rock Guard <b>Trims<sup>10, 13</sup></b> <input type="checkbox"/> <b>BTR</b> Bronze Round <input type="checkbox"/> <b>BTS</b> Bronze Square <input type="checkbox"/> <b>STR</b> Stainless Round <input type="checkbox"/> <b>STS</b> Stainless Square		<input type="checkbox"/> <b>LP</b> Lamp included		<input type="checkbox"/> <b>BL</b> Black <input type="checkbox"/> <b>BZ</b> Bronze <input type="checkbox"/> <b>DDB</b> Dark Bronze <input type="checkbox"/> <b>DNA</b> Natural Alum. <input type="checkbox"/> <b>GN</b> Green <input type="checkbox"/> <b>GR</b> Gray <input type="checkbox"/> <b>SND</b> Sand <input type="checkbox"/> <b>STG</b> Steel Gray <input type="checkbox"/> <b>TVG</b> Terra Verde Green <input type="checkbox"/> <b>WH</b> White <input type="checkbox"/> <b>CF</b> Custom Finish

**M9400 Series Assembly** MRIS94 Rough-In Housing  
**consists of the following** MFS94 Finishing Section  
**individual component** MACS Lamp Module  
**parts:** MHSL94 Ballast Module

### Notes:

- <sup>1</sup> Not Available with M9430 square model.
- <sup>2</sup> Lamps available with GEB or MLEBAD electronic , MVOLT (120V-277V 50/60 HZ) ballast only.
- <sup>3</sup> Available for Low Voltage lamps only. Remote 12V power supply required (sold separately).
- <sup>4</sup> MVOLT is standard on all Fluorescent lamps and MH lamps with GEB or MLEBAD ballast option.
- <sup>5</sup> Not all distributions are valid with all lamp types, consult lamp manufacturers' specifications.
- <sup>6</sup> WWD distribution available with T4 G8.5 base MH, T4 mini-can base Incandescent or Fluorescent lamps only.

- <sup>7</sup> ASY distribution available with Fluorescent lamps only.
- <sup>8</sup> FLC5 lens standard with WWD distribution using Fluorescent Lamps.
- <sup>9</sup> FLF5 lens standard with WWD distribution using MH or incandescent lamps.
- <sup>10</sup> Accessories are mutually exclusive, choose one only.
- <sup>11</sup> ISS available with T6, and T4 lamps only. Not available with WWD distribution.
- <sup>12</sup> Not available with CLC or CLF convex lens.
- <sup>13</sup> Accessory not available with SS door material.
- <sup>14</sup> Ballast options available with MH lamps only.
- <sup>15</sup> 0-10 Volt remote analog powered dimmer system with additional supply wiring required (by others).
- <sup>16</sup> Door material finish is natural cast aluminum (A) or cast bronze (B) unless specified. Stainless steel (SS) door available with brushed finish standard.

