

Features

- High speed
 - $t_{AA} = 12 \text{ ns}$
- Low active power
 - $I_{CC} = 300 \text{ mA}$ at 12 ns
- Low complementary metal oxide semiconductor (CMOS) standby power
 - $I_{SB2} = 100 \text{ mA}$
- Operating voltages of $3.3 \pm 0.3 \text{ V}$
- 2.0-V data retention
- Automatic power-down when deselected
- Transistor-transistor logic (TTL)-compatible inputs and outputs
- Easy memory expansion with \overline{CE}_1 and CE_2 features
- Available in Pb-free 48-ball fine ball grid array (FBGA) package

Functional Description

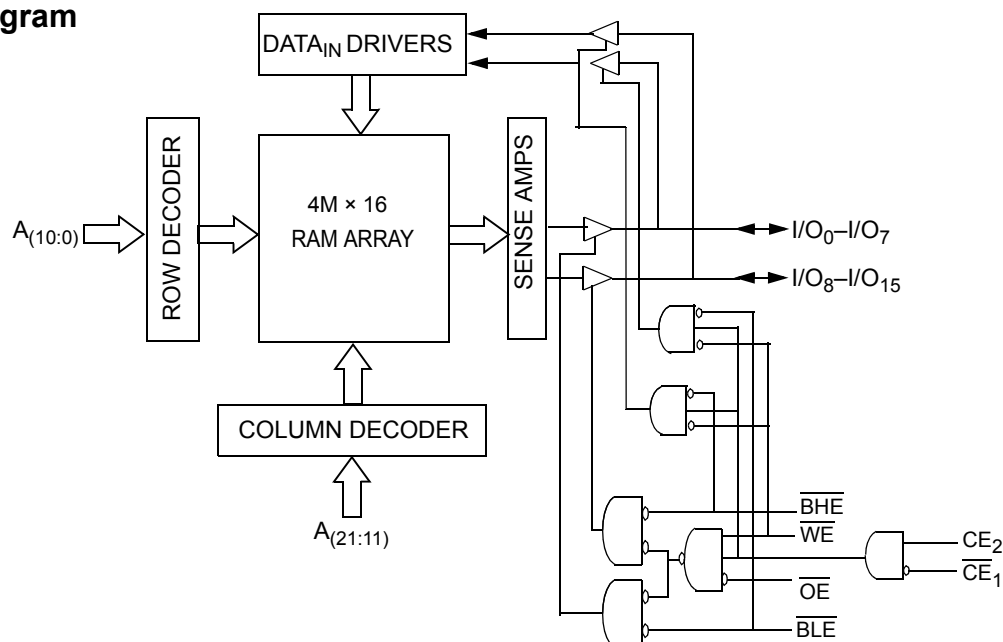
The CY7C1081DV33 is a high-performance CMOS static RAM organized as 4,194,304 words by 16 bits.

To write to the device, take Chip Enables (\overline{CE}_1 LOW and CE_2 HIGH) and Write Enable (WE) inputs LOW. If Byte Low Enable (BLE) is LOW, then data from I/O pins (I/O₀ through I/O₇) is written into the location specified on the address pins (A₀ through A₂₁). If Byte High Enable (BHE) is LOW, then data from I/O pins (I/O₈ through I/O₁₅) is written into the location specified on the address pins (A₀ through A₂₁).

To read from the device, take Chip Enables (\overline{CE}_1 LOW and CE_2 HIGH) and Output Enable (OE) LOW while forcing the Write Enable (WE) HIGH. If Byte Low Enable (BLE) is LOW, then data from the memory location specified by the address pins appears on I/O₀ to I/O₇. If Byte High Enable (BHE) is LOW, then data from memory appears on I/O₈ to I/O₁₅. See the [Truth Table](#) on page 9 for a complete description of read and write modes.

The input and output pins (I/O₀ through I/O₁₅) are placed in a high impedance state when the device is deselected (\overline{CE}_1 HIGH or CE_2 LOW), the outputs are disabled (OE HIGH), both byte high enable and byte low enable are disabled (BHE, BLE HIGH), or during a write operation (\overline{CE}_1 LOW, CE_2 HIGH, and WE LOW).

Logic Block Diagram



Contents

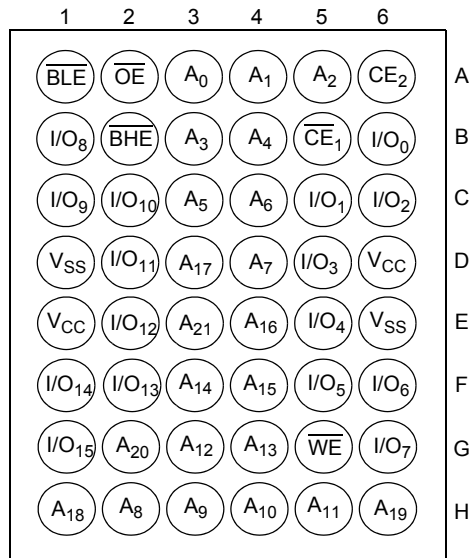
Selection Guide	3	Ordering Information	10
Pin Configuration	3	Ordering Code Definition.....	10
Maximum Ratings	4	Package Diagrams	11
Operating Range	4	Acronyms	11
DC Electrical Characteristics	4	Document Conventions	11
Capacitance	4	Units of Measure	11
Thermal Resistance	4	Document History Page	12
Data Retention Characteristics	5	Sales, Solutions, and Legal Information	12
AC Switching Characteristics	6	Worldwide Sales and Design Support.....	12
Switching Waveforms	7	Products	12
Truth Table	9	PSoC Solutions	12

Selection Guide

Description	-12	Unit
Maximum access time	12	ns
Maximum operating current	300	mA
Maximum CMOS standby current	100	mA

Pin Configuration

Figure 1. 48-Ball FBGA (Top View)



Maximum Ratings

Exceeding maximum ratings may impair the useful life of the device. These user guidelines are not tested.

Storage temperature	-65 °C to +150 °C
Ambient temperature with power applied	-55 °C to +125 °C
Supply voltage on V _{CC} relative to GND ^[1]	-0.5 V to +4.6 V
DC voltage applied to outputs in high-Z state ^[1]	-0.5 V to V _{CC} + 0.5 V
DC input voltage ^[1]	-0.5 V to V _{CC} + 0.5 V

Current into outputs (LOW)	20 mA
Static discharge voltage.....	>2001 V (MIL-STD-883, Method 3015)
Latch up current	>140 mA

Operating Range

Range	Ambient Temperature	V _{CC}	Speed
Industrial	-40 °C to +85 °C	3.3 V ± 0.3 V	12 ns

DC Electrical Characteristics

Over the Operating Range

Parameter	Description	Test Conditions	-12		Unit
			Min	Max	
V _{OH}	Output HIGH voltage	V _{CC} = Min, I _{OH} = -4.0 mA	2.4	-	V
V _{OL}	Output LOW voltage	V _{CC} = Min, I _{OL} = 8.0 mA	-	0.4	V
V _{IH}	Input HIGH voltage		2.0	V _{CC} + 0.3	V
V _{IL}	Input LOW voltage ^[1]		-0.3	0.8	V
I _{IX}	Input leakage current	GND ≤ V _{IN} ≤ V _{CC}	-1	+1	μA
I _{OZ}	Output leakage current	GND ≤ V _{OUT} ≤ V _{CC} , Output Disabled	-1	+1	μA
I _{CC}	V _{CC} operating supply current	V _{CC} = Max, f = f _{max} = 1/t _{RC} , I _{OUT} = 0 mA CMOS levels	-	300	mA
I _{SB1}	Automatic CE power-down current – TTL inputs	Max V _{CC} , CE ₁ ≥ V _{IH} , CE ₂ ≤ V _{IL} , V _{IN} ≥ V _{IH} or V _{IN} ≤ V _{IL} , f = f _{max}	-	120	mA
I _{SB2}	Automatic CE power-down current – CMOS inputs	Max V _{CC} , CE ₁ ≥ V _{CC} - 0.3 V, CE ₂ ≤ 0.3 V, V _{IN} ≥ V _{CC} - 0.3 V, or V _{IN} ≤ 0.3 V, f = 0,	-	100	mA

Capacitance

Tested initially and after any design or process changes that may affect these parameters.

Parameter	Description	Test Conditions	Max	Unit
C _{IN}	Input capacitance	T _A = 25 °C, f = 1 MHz, V _{CC} = 3.3 V	32	pF
C _{OUT}	I/O capacitance		40	pF

Thermal Resistance

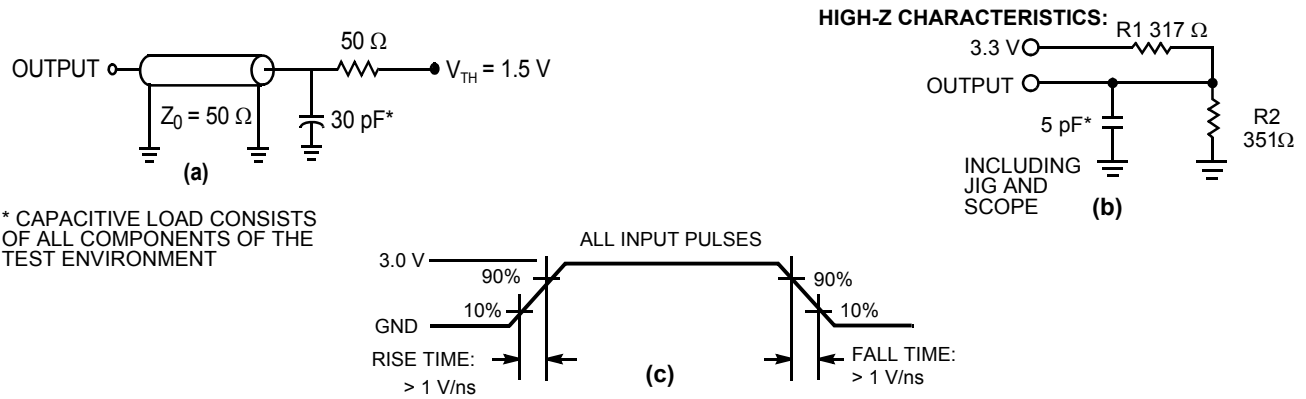
Tested initially and after any design or process changes that may affect these parameters.

Parameter	Description	Test Conditions	FBGA	Unit
Θ _{JA}	Thermal resistance (junction to ambient)	Still air, soldered on a 3 × 4.5 inch, four-layer printed circuit board	55	°C/W
Θ _{JC}	Thermal resistance (junction to case)		23.04	°C/W

Note

- V_{IL} (min) = -2.0 V and V_{IH} (max) = V_{CC} + 2 V for pulse durations of less than 20 ns.

Figure 2. AC Test Loads and Waveforms^[2]

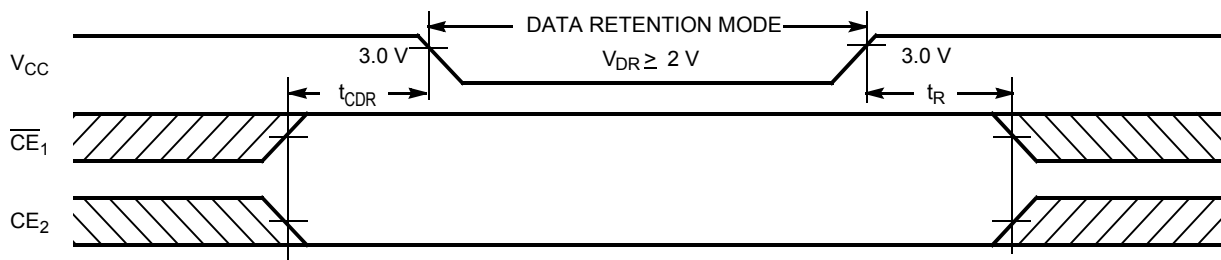


Data Retention Characteristics

Over the Operating Range

Parameter	Description	Conditions	Min	Typ	Max	Unit
V_{DR}	V_{CC} for data retention		2	—	—	V
I_{CCDR}	Data retention current	$V_{CC} = 2V, \overline{CE}_1 \geq V_{CC} - 0.2V, CE_2 \leq 0.2V, V_{IN} \geq V_{CC} - 0.2V$ or $V_{IN} \leq 0.2V$	—	—	100	mA
$t_{CDR}^{[3]}$	Chip deselect to data retention time		0	—	—	ns
$t_R^{[4]}$	Operation recovery time		12	—	—	ns

Figure 3. Data Retention Waveform



Notes

- Valid SRAM operation does not occur until the power supplies reach the minimum operating V_{DD} (3.0 V). 100 μs (t_{power}) after reaching the minimum operating V_{DD} , normal SRAM operation begins to include reduction in V_{DD} to the data retention (V_{CCDR} , 2.0 V) voltage.
- Tested initially and after any design or process changes that may affect these parameters.
- Full device operation requires linear V_{CC} ramp from V_{DR} to $V_{CC}(\min) \geq 50 \mu s$ or stable at $V_{CC}(\min) \geq 50 \mu s$.

AC Switching Characteristics

Over the Operating Range ^[5]

Parameter	Description	-12		Unit
		Min	Max	
Read Cycle				
t_{power}	$V_{CC}(typ)$ to the first access ^[6]	100	–	μs
t_{RC}	Read cycle time	12	–	ns
t_{AA}	Address to data valid	–	12	ns
t_{OHA}	Data hold from address change	3	–	ns
t_{ACE}	\overline{CE}_1 LOW and CE_2 HIGH to Data Valid	–	12	ns
t_{DOE}	\overline{OE} LOW to data valid	–	7	ns
t_{LZOE}	\overline{OE} LOW to low-Z	1	–	ns
t_{HZOE}	\overline{OE} HIGH to high-Z ^[7]	–	7	ns
t_{LZCE}	\overline{CE}_1 LOW and CE_2 HIGH to low-Z ^[7]	3	–	ns
t_{HZCE}	\overline{CE}_1 HIGH and CE_2 LOW to high-Z ^[7]	–	7	ns
t_{PU}	\overline{CE}_1 LOW and CE_2 HIGH to power-up ^[8]	0	–	ns
t_{PD}	\overline{CE}_1 HIGH and CE_2 LOW to power-down ^[8]	–	12	ns
t_{DBE}	Byte enable to data valid	–	7	ns
t_{LZBE}	Byte enable to low-Z	1	–	ns
t_{HZBE}	Byte disable to high-Z	–	7	ns
Write Cycle ^[9, 10]				
t_{WC}	Write cycle time	12	–	ns
t_{SCE}	\overline{CE}_1 LOW and CE_2 HIGH to write end	9	–	ns
t_{AW}	Address setup to write end	9	–	ns
t_{HA}	Address hold from write end	0	–	ns
t_{SA}	Address setup to write start	0	–	ns
t_{PWE}	\overline{WE} pulse width	9	–	ns
t_{SD}	Data setup to write end	7	–	ns
t_{HD}	Data hold from write end	0	–	ns
t_{LZWE}	\overline{WE} HIGH to low-Z ^[7]	3	–	ns
t_{HZWE}	\overline{WE} LOW to high-Z ^[7]	–	7	ns
t_{BW}	Byte enable to end of write	9	–	ns

Notes

- Test conditions are based on signal transition time of 3 ns or less and timing reference levels of 1.5 V and input pulse levels of 0 to 3.0 V. Test conditions for the read cycle use output loading shown in part a) of [AC Test Loads and Waveforms^{\[2\]}](#), unless specified otherwise.
- t_{power} is the minimum amount of time that the power supply must be at typical V_{CC} values until the first memory access can be performed.
- t_{HZOE} , t_{HZCE} , t_{HZWE} , t_{HZBE} and t_{LZOE} , t_{LZCE} , t_{LZWE} , t_{LZBE} are specified with a load capacitance of 5 pF as in (b) of [AC Test Loads and Waveforms^{\[2\]}](#).
- These parameters are guaranteed by design and are not tested.
- The internal memory write time is defined by the overlap of \overline{WE} , $\overline{CE}_1 = V_{IL}$, and $CE_2 = V_{IH}$. Chip enables must be active and \overline{WE} and byte enables must be LOW to initiate a write, and the transition of any of these signals can terminate the write. The input data setup and hold timing must be referenced to the leading edge of the signal that terminates the write.
- The minimum write cycle time for Write Cycle 2 (\overline{WE} controlled, \overline{OE} LOW) is the sum of t_{HZWE} and t_{SD} .

Switching Waveforms

Figure 4. Read Cycle 1 (Address Transition Controlled) [11, 12]

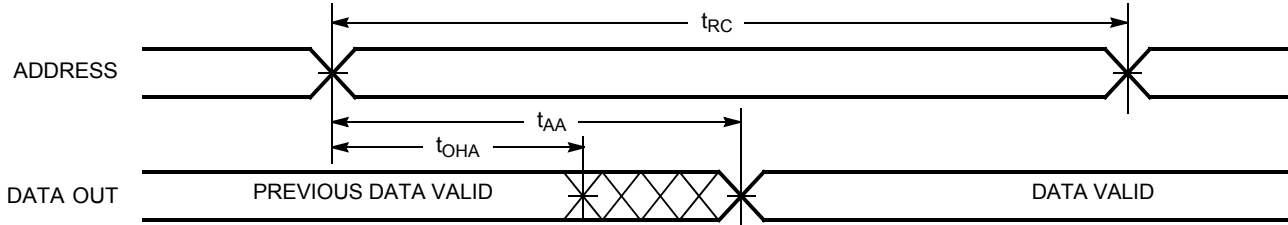
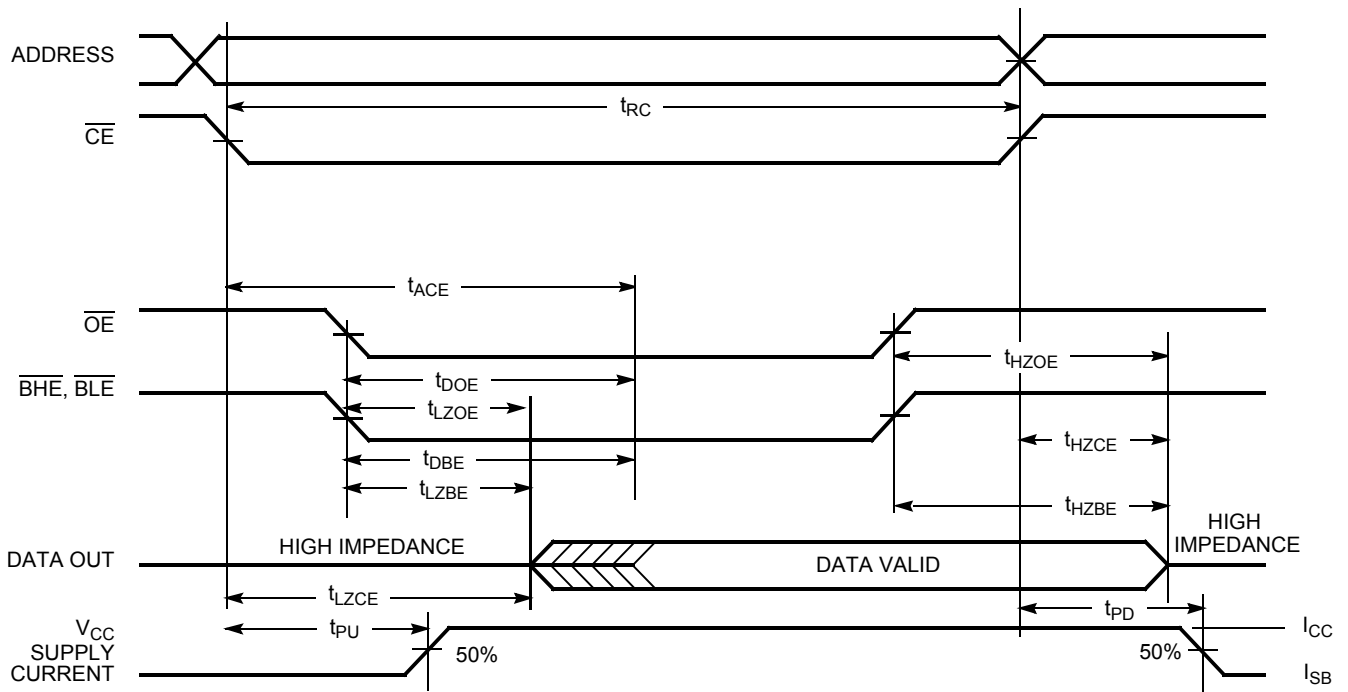


Figure 5. Read Cycle 2 (\overline{OE} Controlled) [12, 13, 14]



Notes

- 11. Device is continuously selected. \overline{OE} , $\overline{CE}_1 = V_{IL}$, \overline{BHE} or \overline{BLE} or both = V_{IL} , and $CE_2 = V_{IH}$.
- 12. WE is HIGH for read cycle.
- 13. Address valid before or similar to \overline{CE}_1 transition LOW and CE_2 transition HIGH.
- 14. \overline{CE} refers to the internal logical combination of \overline{CE}_1 and CE_2 such that when \overline{CE}_1 is LOW and CE_2 is HIGH, \overline{CE} is LOW. For all other combinations, \overline{CE} is HIGH.

Switching Waveforms (continued)

Figure 6. Write Cycle 1 ($\overline{\text{CE}}$ Controlled) [15, 16, 17]

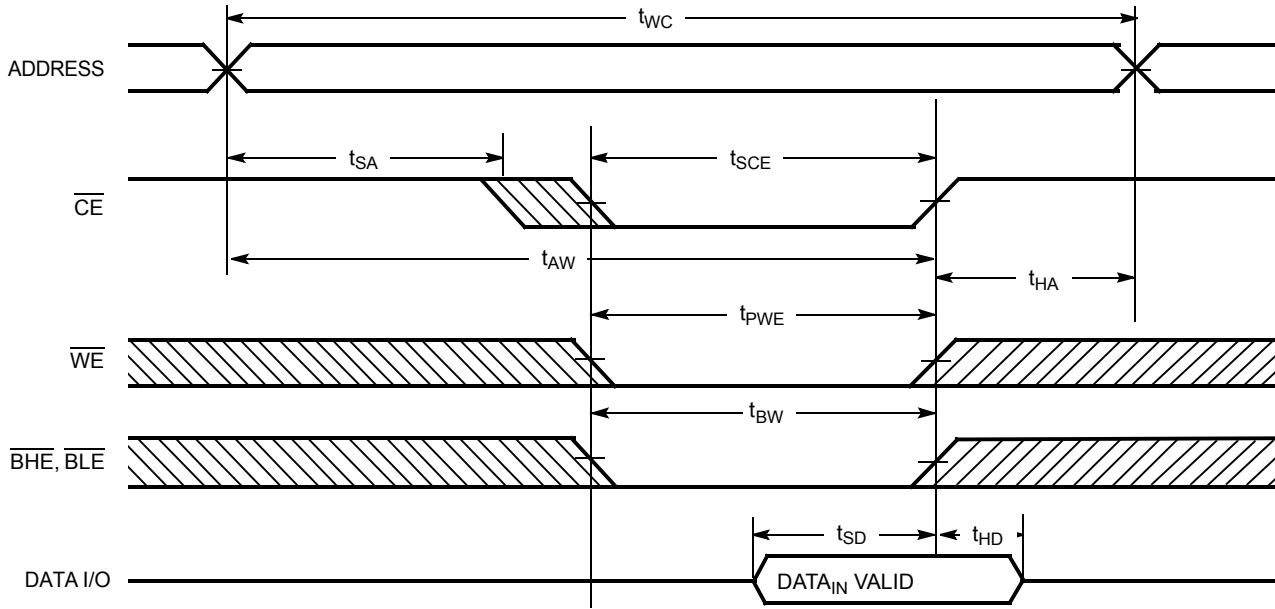
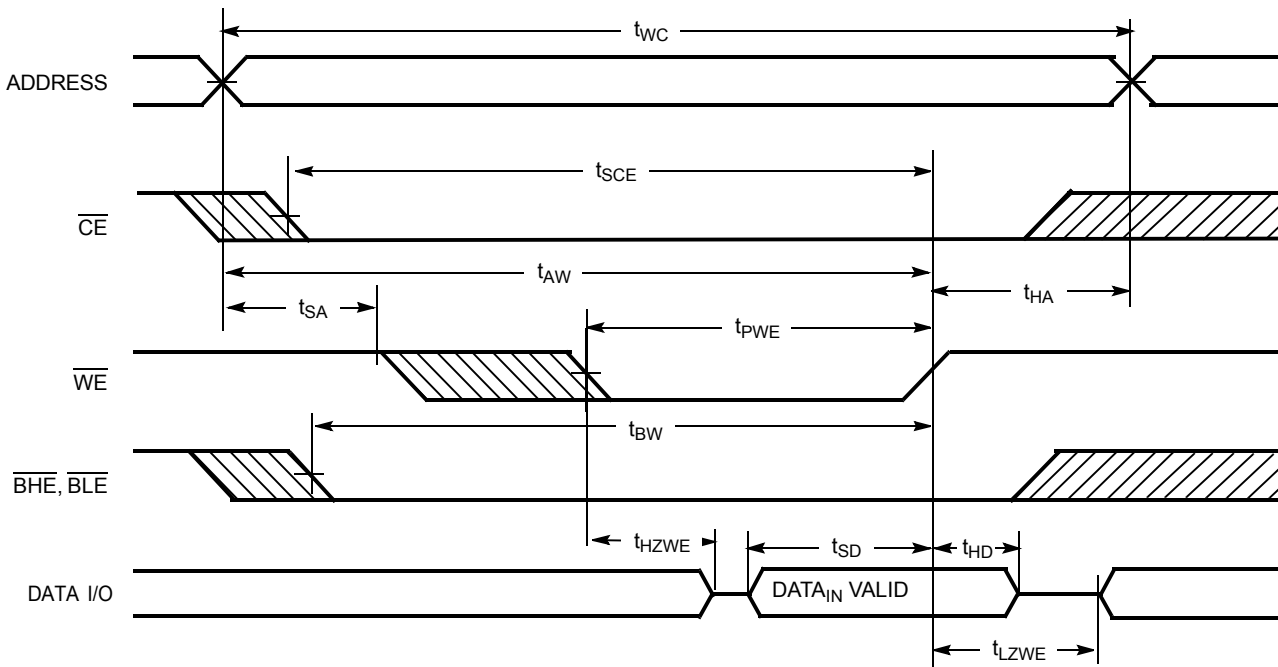


Figure 7. Write Cycle 2 ($\overline{\text{WE}}$ Controlled, $\overline{\text{OE}}$ LOW) [15, 16, 17]

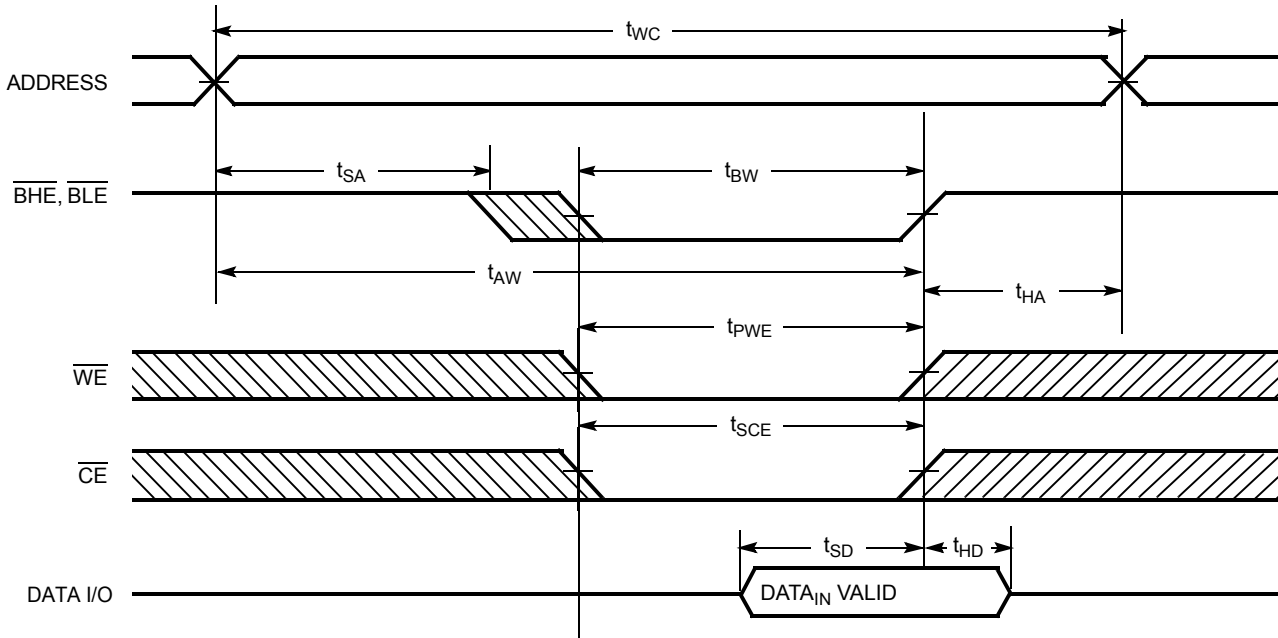


Notes

- 15. $\overline{\text{CE}}$ refers to the internal logical combination of $\overline{\text{CE}}_1$ and CE_2 such that when $\overline{\text{CE}}_1$ is LOW and CE_2 is HIGH, $\overline{\text{CE}}$ is LOW. For all other combinations, $\overline{\text{CE}}$ is HIGH.
- 16. Data I/O is high impedance if $\overline{\text{OE}}$ or $\overline{\text{BHE}}$, $\overline{\text{BLE}}$ or both = V_{IH} .
- 17. If $\overline{\text{CE}}$ goes HIGH simultaneously with $\overline{\text{WE}}$ going HIGH, the output remains in a high impedance state.

Switching Waveforms (continued)

Figure 8. Write Cycle 3 (BLE or BHE Controlled) [18]



Truth Table

\overline{CE}_1	CE_2	\overline{OE}	\overline{WE}	\overline{BLE}	\overline{BHE}	I/O ₀ – I/O ₇	I/O ₈ – I/O ₁₅	Mode	Power
H	X	X	X	X	X	High-Z	High-Z	Power down	Standby (I_{SB})
X	L	X	X	X	X	High-Z	High-Z	Power down	Standby (I_{SB})
L	H	L	H	L	L	Data Out	Data Out	Read all bits	Active (I_{CC})
L	H	L	H	L	H	Data Out	High-Z	Read lower bits only	Active (I_{CC})
L	H	L	H	H	L	High-Z	Data Out	Read upper bits only	Active (I_{CC})
L	H	X	L	L	L	Data In	Data In	Write all bits	Active (I_{CC})
L	H	X	L	L	H	Data In	High-Z	Write lower bits only	Active (I_{CC})
L	H	X	L	H	L	High-Z	Data In	Write upper bits only	Active (I_{CC})
L	H	H	H	X	X	High-Z	High-Z	Selected, Outputs disabled	Active (I_{CC})

Note

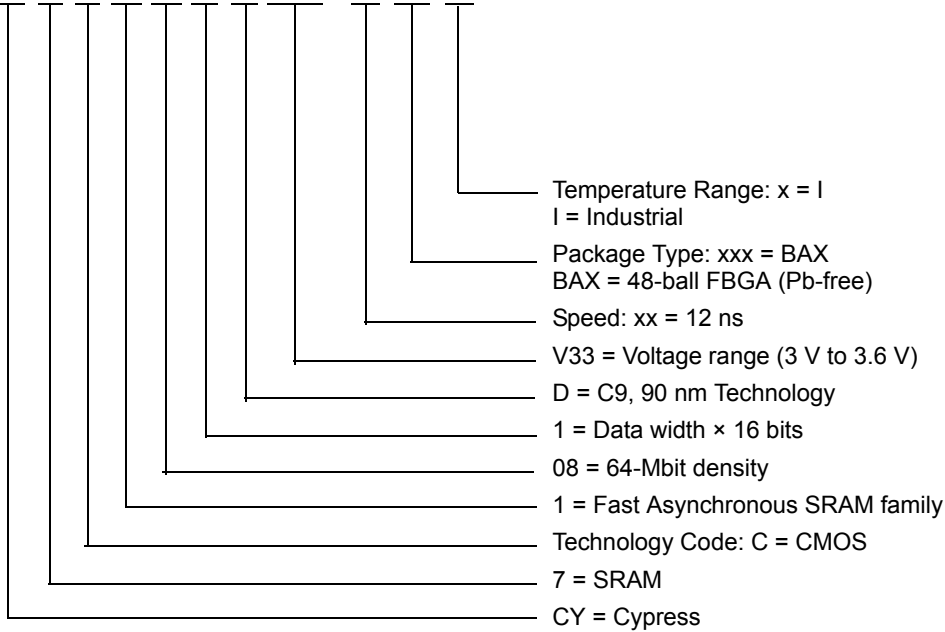
18. \overline{CE} refers to the internal logical combination of \overline{CE}_1 and CE_2 such that when \overline{CE}_1 is LOW and CE_2 is HIGH, \overline{CE} is LOW. For all other combinations, \overline{CE} is HIGH.

Ordering Information

Speed (ns)	Ordering Code	Package Diagram	Package Type	Operating Range
12	CY7C1081DV33-12BAXI	001-50044	48-Ball FBGA (8 × 9.5 × 1.4 mm) (Pb-free)	Industrial

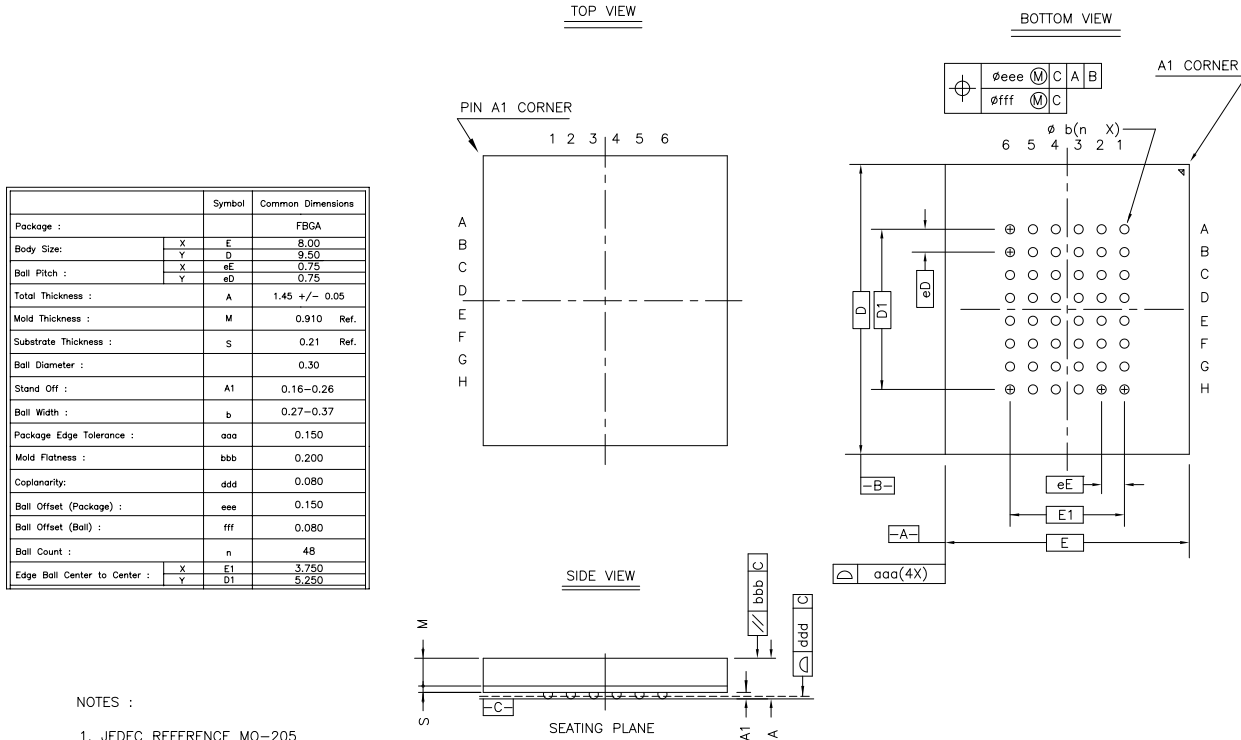
Ordering Code Definition

CY 7 C 1 08 1 D V33 - xx xxx x



Package Diagram

Figure 9. 48-Ball FBGA (8 x 9.5 x 1.4 mm) (001-50044)



NOTES :

1. JEDEC REFERENCE MO-205
2. PACKAGE WEIGHT : 0.2409g
3. DIMENSIONS IN MILLIMETERS

001-50044 *C

Acronyms

Acronym	Description
CMOS	complementary metal oxide semiconductor
FBGA	fine ball grid array
I/O	input/output
SRAM	static random access memory
TTL	transistor-transistor logic

Document Conventions

Units of Measure

Symbol	Unit of Measure
°C	degrees Celsius
μA	microamperes
mA	milliampere
MHz	megahertz
ns	nanoseconds
pF	picofarads
V	volts
Ω	ohms
W	watts

Document History Page

Document Title: CY7C1081DV33, 64-Mbit (4 M × 16) Static RAM Document Number: 001-53992				
REV.	ECN NO.	Submission Date	Orig. of Change	Description of Change
**	2746867	07/31/2009	VKN/AESA	New datasheet
*A	3100499	12/02/2010	PRAS	Updated Note 14. Changed datasheet status from Preliminary to Final. Updated Package Diagram and Sales, Solutions, and Legal Information . Added Acronyms , Document Conventions and Ordering Code Definition .
*B	3178249	21/02/2011	PRAS	Post to external web
*C	3246293	05/04/2011	PRAS	Modified Figure 44-B all FBGA pin configuration.

Sales, Solutions, and Legal Information

Worldwide Sales and Design Support

Cypress maintains a worldwide network of offices, solution centers, manufacturer's representatives, and distributors. To find the office closest to you, visit us at [Cypress Locations](#).

Products

Automotive	cypress.com/go/automotive
Clocks & Buffers	cypress.com/go/clocks
Interface	cypress.com/go/interface
Lighting & Power Control	cypress.com/go/powerpsoc cypress.com/go/plc
Memory	cypress.com/go/memory
Optical & Image Sensing	cypress.com/go/image
PSoC	cypress.com/go/psoc
Touch Sensing	cypress.com/go/touch
USB Controllers	cypress.com/go/USB
Wireless/RF	cypress.com/go/wireless

PSoC Solutions

psoc.cypress.com/solutions
PSoC 1 | PSoC 3 | PSoC 5

© Cypress Semiconductor Corporation, 2009-2011. The information contained herein is subject to change without notice. Cypress Semiconductor Corporation assumes no responsibility for the use of any circuitry other than circuitry embodied in a Cypress product. Nor does it convey or imply any license under patent or other rights. Cypress products are not warranted nor intended to be used for medical, life support, life saving, critical control or safety applications, unless pursuant to an express written agreement with Cypress. Furthermore, Cypress does not authorize its products for use as critical components in life-support systems where a malfunction or failure may reasonably be expected to result in significant injury to the user. The inclusion of Cypress products in life-support systems application implies that the manufacturer assumes all risk of such use and in doing so indemnifies Cypress against all charges.

Any Source Code (software and/or firmware) is owned by Cypress Semiconductor Corporation (Cypress) and is protected by and subject to worldwide patent protection (United States and foreign), United States copyright laws and international treaty provisions. Cypress hereby grants to licensee a personal, non-exclusive, non-transferable license to copy, use, modify, create derivative works of, and compile the Cypress Source Code and derivative works for the sole purpose of creating custom software and or firmware in support of licensee product to be used only in conjunction with a Cypress integrated circuit as specified in the applicable agreement. Any reproduction, modification, translation, compilation, or representation of this Source Code except as specified above is prohibited without the express written permission of Cypress.

Disclaimer: CYPRESS MAKES NO WARRANTY OF ANY KIND, EXPRESS OR IMPLIED, WITH REGARD TO THIS MATERIAL, INCLUDING, BUT NOT LIMITED TO, THE IMPLIED WARRANTIES OF MERCHANTABILITY AND FITNESS FOR A PARTICULAR PURPOSE. Cypress reserves the right to make changes without further notice to the materials described herein. Cypress does not assume any liability arising out of the application or use of any product or circuit described herein. Cypress does not authorize its products for use as critical components in life-support systems where a malfunction or failure may reasonably be expected to result in significant injury to the user. The inclusion of Cypress' product in a life-support systems application implies that the manufacturer assumes all risk of such use and in doing so indemnifies Cypress against all charges.

Use may be limited by and subject to the applicable Cypress software license agreement.