

Silicon PNP Power Transistors

2SB536

DESCRIPTION

- With TO-220C package
- Complement to type 2SD381
- Low collector saturation voltage

APPLICATIONS

- Audio frequency power amplifier
- Low speed power switching

PINNING

PIN	DESCRIPTION
1	Emitter
2	Collector;connected to mounting base
3	Base

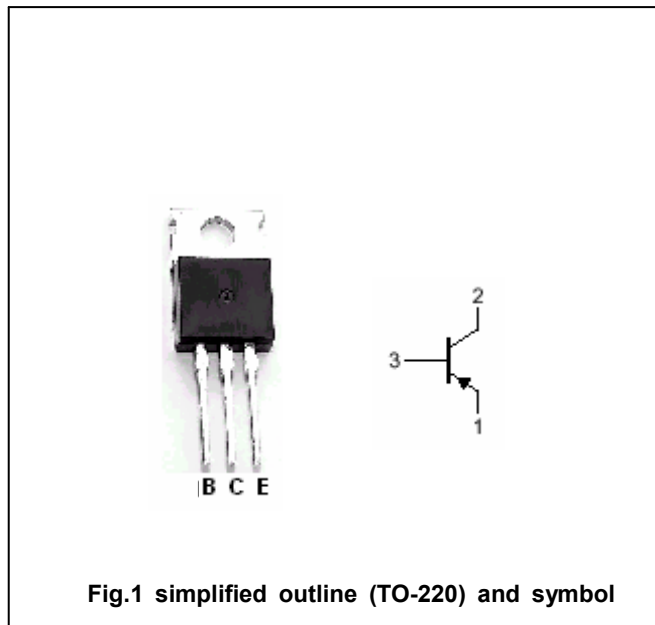


Fig.1 simplified outline (TO-220) and symbol

Absolute maximum ratings(Ta=25°C)

SYMBOL	PARAMETER	CONDITIONS	VALUE	UNIT
V _{CBO}	Collector-base voltage	Open emitter	-130	V
V _{CEO}	Collector-emitter voltage	Open base	-120	V
V _{EBO}	Emitter-base voltage	Open collector	-5	V
I _C	Collector current		-1.5	A
I _{CM}	Collector current-peak		-3.0	A
I _B	Base current		-0.3	A
P _T	Total power dissipation	T _a =25°C	1.5	W
		T _C =25°C	20	
T _j	Junction temperature		150	°C
T _{stg}	Storage temperature		-50~150	°C

Silicon PNP Power Transistors

2SB536

CHARACTERISTICS

T_j=25°C unless otherwise specified

SYMBOL	PARAMETER	CONDITIONS	MIN	TYP.	MAX	UNIT
V _{(BR)CEO}	Collector-emitter breakdown voltage	I _C =-10mA; I _B =0	-120			V
V _{CEsat}	Collector-emitter saturation voltage	I _C =-1A; I _B =-0.1A			-2.0	V
V _{BEsat}	Base-emitter saturation voltage	I _C =-1A; I _B =-0.1A			-1.5	V
I _{CBO}	Collector cut-off current	V _{CB} =-120V; I _E =0			-1.0	μA
I _{EBO}	Emitter cut-off current	V _{EB} =-3V; I _C =0			-1.0	μA
h _{FE-1}	DC current gain	I _C =-5mA; V _{CE} =-5V	25			
h _{FE-2}	DC current gain	I _C =-0.3A; V _{CE} =-5V	40		250	
C _{OB}	Output capacitance	I _E =0; V _{CB} =-10V; f=1MHz		35		pF
f _T	Transition frequency	I _C =-0.1A; V _{CE} =-5V		40		MHz

◆ h_{FE-2} Classifications

N	M	L	K
40-80	60-120	80-160	120-250

Silicon PNP Power Transistors

2SB536

PACKAGE OUTLINE

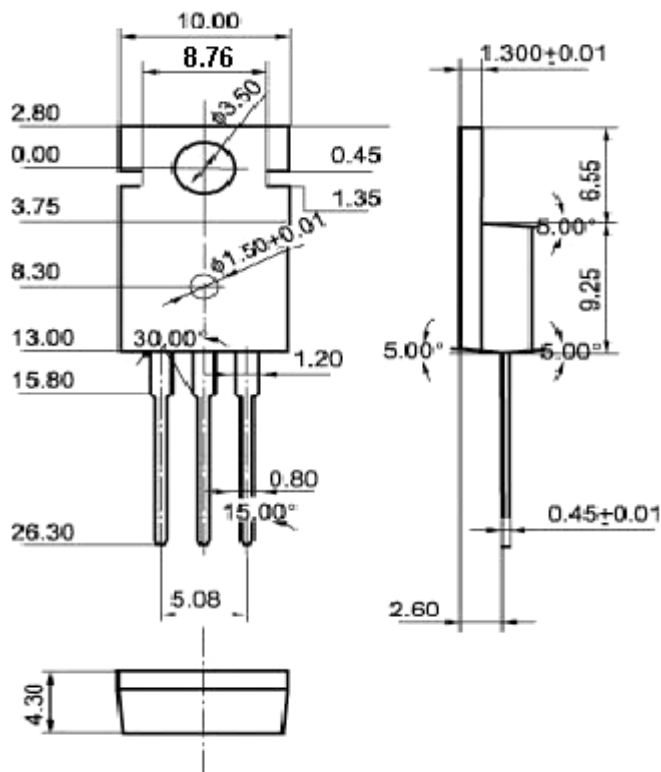


Fig.2 Outline dimensions (unindicated tolerance:±0.10mm)