

PLEASE CHECK WWW.MOLEX.COM FOR LATEST PART INFORMATION

Part Number: **0191951040**
Status: **Active**
Description: MagKrimp™ Round Ring Tongue Terminal with Ribbed Barrel, Stud Size 1/2", 50,000-115,000 Circular Mil Area, Plated

Documents:

[Drawing \(PDF\)](#) [Product Specification PS-19902-001 \(PDF\)](#)
[Product Specification PS-19195-001 \(PDF\)](#) [RoHS Certificate of Compliance \(PDF\)](#)

Agency Certification

UL E32244

General

Product Family Ring and Spade Terminals
 Series [19195](#)
 Comments Ribbed Barrel for Reinforcement
 Crimp Quality Equipment Yes
 Mil-Spec N/A
 Product Name MagKrimp™(Magnet Wire)
 Type Ring

Physical

Barrel Type Open
 Insulation None
 Material - Plating Mating Tin
 Packaging Type Bag
 Plating min: Mating (µin) 100
 Plating min: Mating (µm) 2.5
 Plating min: Termination (µin) 100
 Plating min: Termination (µm) 2.5
 Stud Size 1/2" (M12)
 Temperature Range - Operating -40°C to +100°C
 Termination Interface: Style Crimp or Compression
 Wire Size AWG N/A

Electrical

Voltage - Maximum 2000V

Material Info

Reference - Drawing Numbers

Product Specification PS-19195-001, PS-19902-001
 Sales Drawing SD-19195-014

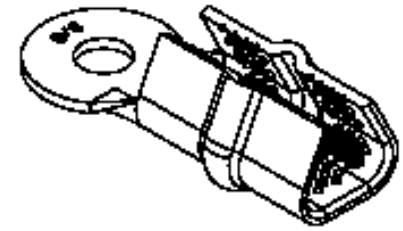


image - Reference only

Series

EU RoHS

ELV and RoHS Compliant
REACH SVHC
 Not Reviewed
Halogen-Free Status
 Not Reviewed

China RoHS



Need more information on product environmental compliance?

Email productcompliance@molex.com
 For a multiple part number RoHS Certificate of Compliance, [click here](#)

Please visit the [Contact Us](#) section for any non-product compliance questions.

Search Parts in this Series

[19195Series](#)

Application Tooling | [FAQ](#)

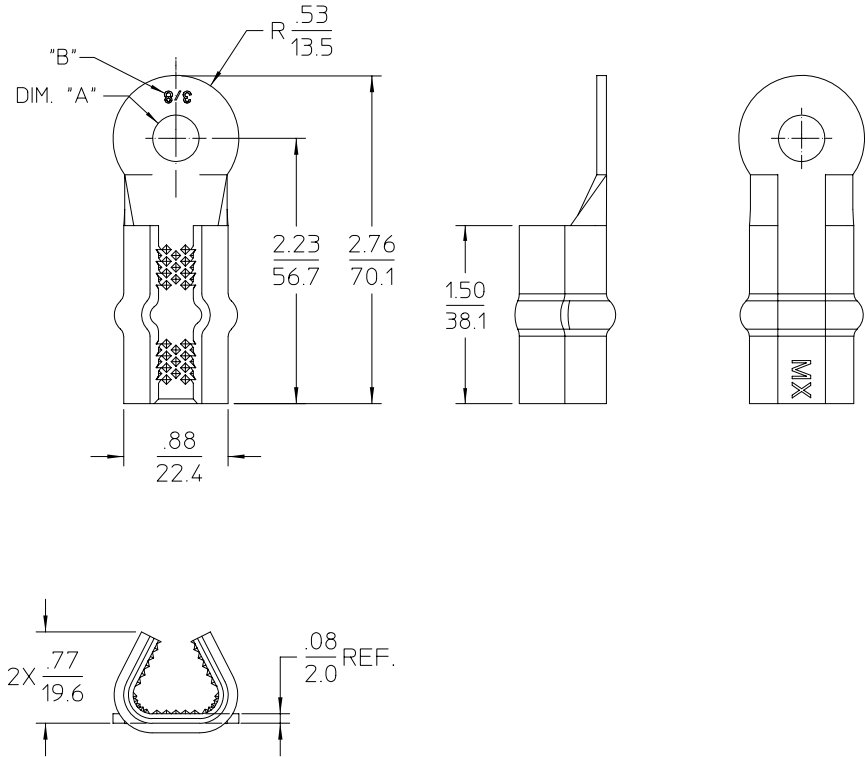
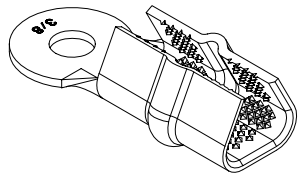
Tooling specifications and manuals are found by selecting the products below. Crimp Height Specifications are then contained in the Application Tooling Specification document.

Global

Description	Product #
Hydraulic Crimp Dies	0190780135

PLEASE CHECK WWW.MOLEX.COM FOR LATEST PART INFORMATION

MATERIAL NUMBER	DIM A	"B"
191951034	∅.390/9.91	3/8
191951040	∅.515/13.08	1/2



NOTES:

1. MATERIAL: COPPER ALLOY.
2. FINISH: ELECTRO TIN PLATE.
THICKNESS=100MNCHES MINIMUM.
3. PRODUCT SPECIFICATION: PS-19195-001.
4. PART USED TO CONNECT COPPER OR ALUMINUM SINGLE MAGNET WIRE OR MULTIPLE WIRE COMBINATIONS.
5. COMBINATIONS OF WIRES ARE EITHER MAGNET WIRE TO MAGNET WIRE OR MAGNET WIRE TO LEAD WIRE.

ETC NO: ETC2003-0089 DRWN: JPAWLICK 2002/09/27 CHKD: JPAWLICK 2002/09/27 APPR: RDEROSS 2002/09/27	DESCRIPTION REV	QUALITY SYMBOLS	GENERAL TOLERANCES (UNLESS SPECIFIED)	SCALE 1:1	DESIGN UNITS INCH	THIRD ANGLE PROJECTION	REVISE ON CAD ONLY															
		▼ = 0 ▽ = 0	<table border="1"> <tr> <td></td> <td>mm</td> <td>INCH</td> </tr> <tr> <td>4 PLACES</td> <td>± ---</td> <td>± ---</td> </tr> <tr> <td>3 PLACES</td> <td>± ---</td> <td>± ---</td> </tr> <tr> <td>2 PLACES</td> <td>± ---</td> <td>± .010</td> </tr> <tr> <td>1 PLACE</td> <td>± 0.25</td> <td>± ---</td> </tr> </table> ANGULAR ± 2 °		mm	INCH	4 PLACES	± ---	± ---	3 PLACES	± ---	± ---	2 PLACES	± ---	± .010	1 PLACE	± 0.25	± ---	DIMENSION STYLE IN/MM		TITLE	
			mm	INCH																		
		4 PLACES	± ---	± ---																		
3 PLACES	± ---	± ---																				
2 PLACES	± ---	± .010																				
1 PLACE	± 0.25	± ---																				
DRAFT WHERE APPLICABLE MUST REMAIN WITHIN DIMENSIONS			DRAWN BY JPAWLICK DATE 02/03/25	MAGKRIMP ROUND RING 50,000-115,000 CMA																		
			CHECKED BY JPAWLICK DATE 02/03/25	MOLEX INCORPORATED																		
			APPROVED BY RDEROSS DATE 02/03/25	MATERIAL NO SEE CHART DOCUMENT NO SD-19195-014	SHEET NO 1 OF 1																	
THIS DRAWING CONTAINS INFORMATION THAT IS PROPRIETARY TO MOLEX INCORPORATED AND SHOULD NOT BE USED WITHOUT WRITTEN PERMISSION																						