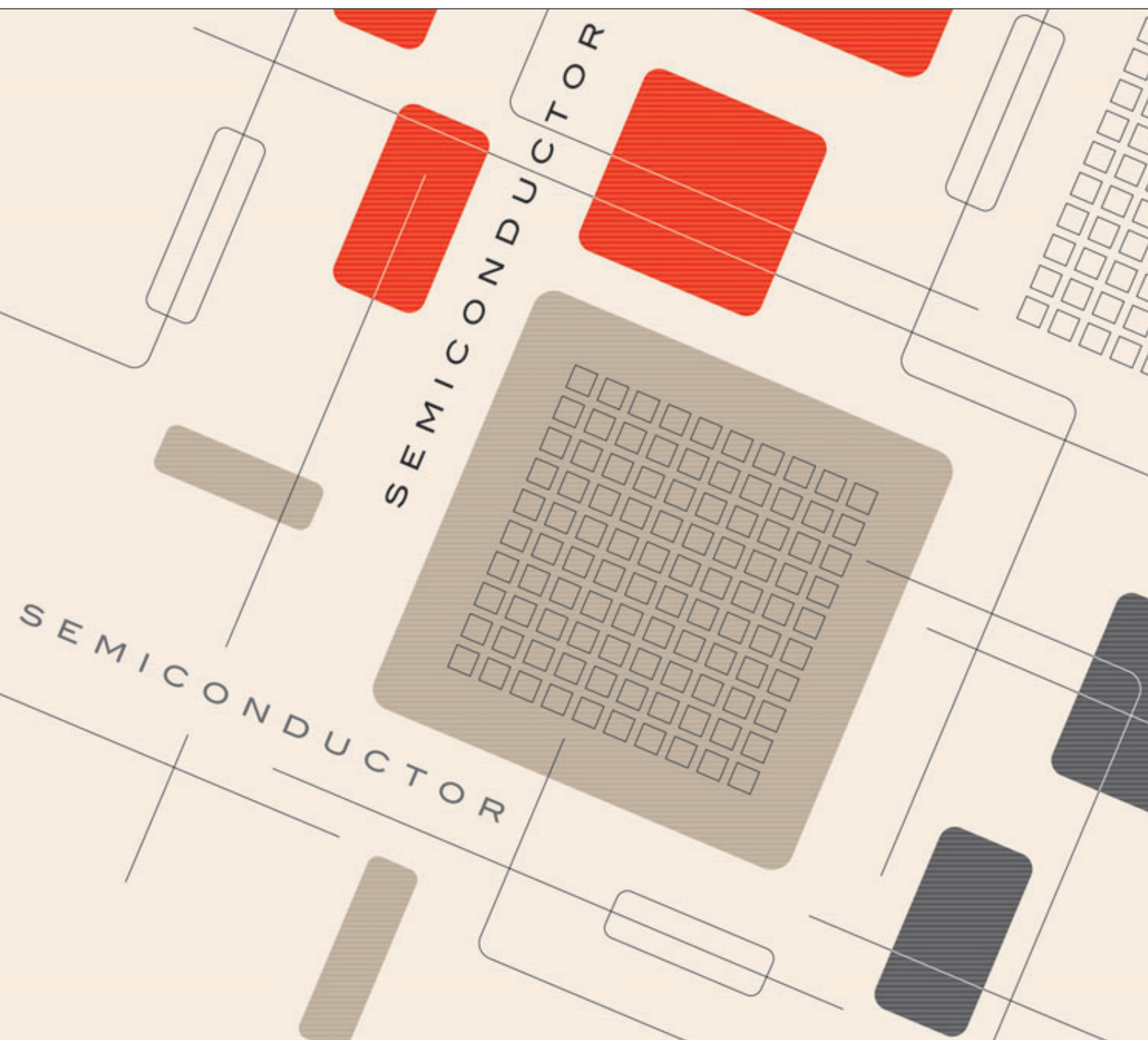


PRODUCT GUIDE

32-Bit Microcontrollers

TX03 Series

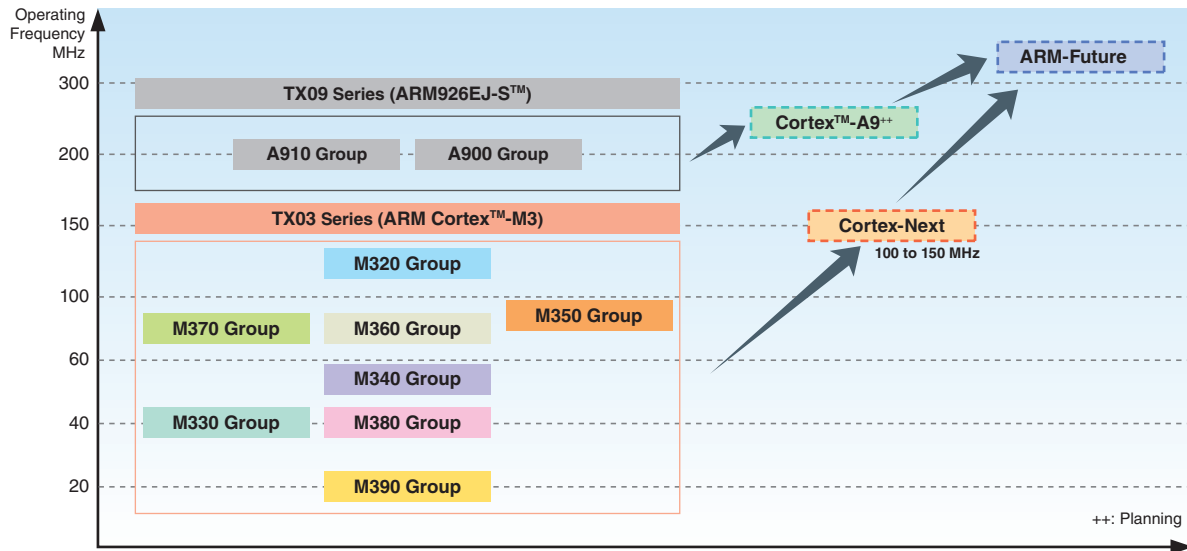


Toshiba's ARM Core-Based Microcontrollers

ARM Core-Based Microcontrollers Proven in the Global Market

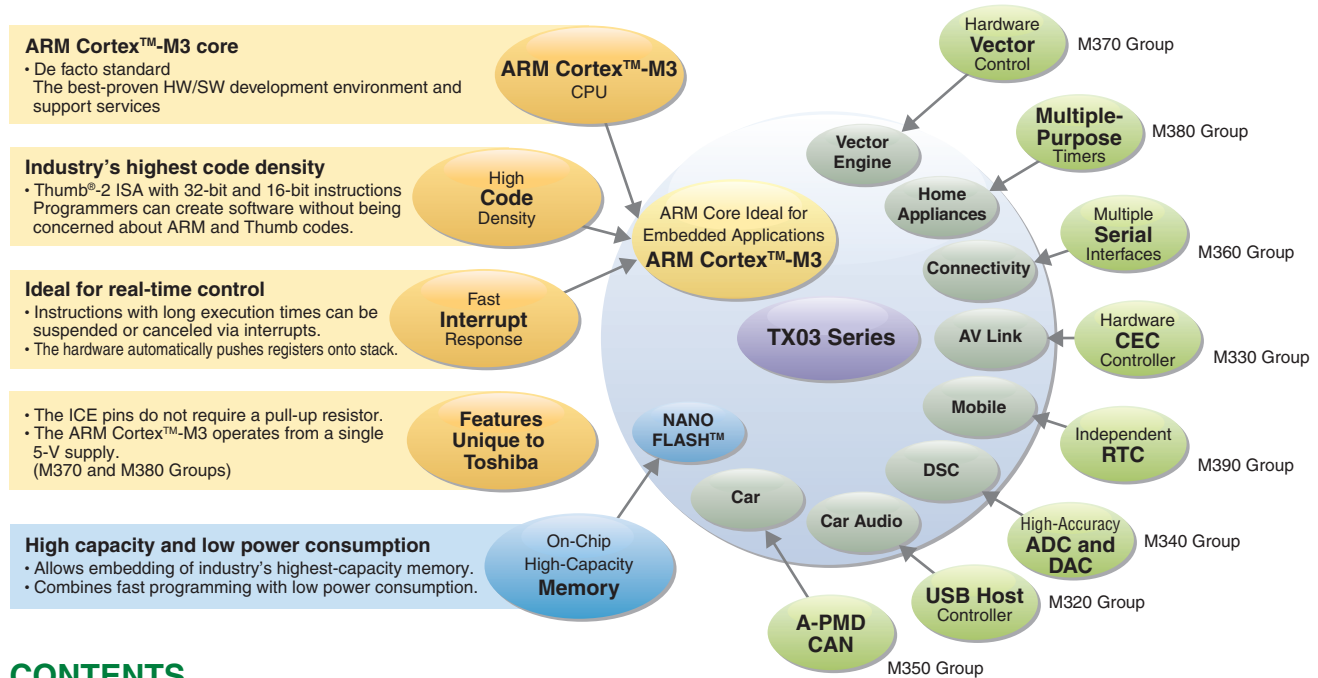
Microcontrollers with an ARM core are becoming increasingly popular not only for cell phone applications but also for general-purpose applications. Toshiba is the first Japanese vendor to release general-purpose microcontrollers with an ARM Cortex™-M3 core. Our product lineup includes microcontrollers with a broad spectrum of peripherals.

Roadmap for ARM Core-Based Microcontrollers



Features of the TX03 Series

The TX03 microcontroller series embeds an ARM Cortex™-M3 core, which provides high code density and fast interrupt response times required for real-time applications. The TX03 Series also incorporates a Toshiba-proprietary NANO FLASH™ memory featuring high capacity and low power consumption.



CONTENTS

Toshiba's ARM Core-Based Microcontrollers	2 to 3	M350 Group (for Automotive Applications)	12
M330 Group	4	M320 Group (for Audio Applications)	13
M340 Group	5	Development Environment	14 to 15
M360 Group	6 to 7	Third-Party Development Support Tools	16 to 18
M370 Group	8 to 9	TX03 Series Product Lineup	19
M380 Group	10	Toshiba's ARM Core-Based	
M390 Group	11	Microcontroller Lineup	20 to 23

Note: System block diagrams in this brochure only show the typical application examples.

NANO FLASH is a trademark of Toshiba Corporation.

ARM, Cortex, Thumb and ARM926EJ-S are trademarks or registered trademarks of ARM Limited in the EU and other countries.

■ Product Groups with a 3-V Supply (Note 1)

<p>M320 Group USB-Host</p> <ul style="list-style-type: none"> • Features USB host controller System solutions that combine a MCU and an audio DSP • Application examples Car and home audio systems 	<p>M330 Group Power-saving modes CEC controller</p> <ul style="list-style-type: none"> • Features Dedicated controller compliant with HDMI 1.3a (CEC) Remote control signal preprocessor essential for digital consumer electronics • Application examples Digital TVs, projectors, Blu-ray recorders, AV systems, printers, home appliances, factory equipment, office equipment 	<p>M340 Group High-resolution PPG</p> <ul style="list-style-type: none"> • Features High-accuracy analog control interface Small package (6 x 6 mm TFBGA113) High-resolution PPG ideal for motor control • Application examples DVCs, DSLR cameras, camera lens controllers
<p>M360 Group Multiple serial interfaces</p> <ul style="list-style-type: none"> • Features Large-capacity Flash memory Up to 7 communications interfaces (SIO, I²C, SPI, UART, CAN, USB, EtherMAC) Programmable Motor Driver (PMD) Multi-purpose timer capable of IGBT control Small package (9 x 9 mm TFBGA109) • Application examples Printers, AV systems, digital appliances, PC peripherals, industrial equipment, networking equipment, office equipment 	<p>M390 Group 1.8-V operation</p> <ul style="list-style-type: none"> • Features Power-saving modes for 1.8-V operation High-speed on-chip oscillator Small package (6 x 6 mm TFBGA120) • Application examples Power supply monitors, battery-operated devices, remote-controlled equipment, game consoles, AV systems 	

■ Automotive Applications

<p>M350 Group Automotive Applications</p> <p>M350</p> <ul style="list-style-type: none"> • Features Programmable Motor Driver (PMD), CAN controllers, timers, 12-bit AD converter, crossbar switches, functional safety capabilities and 5-V I/Os • Application examples Electric power steering (EPS) systems and other automotive applications
<p>M354</p> <ul style="list-style-type: none"> • Features Advanced PMD (A-PMD), VE, CAN controllers, timers, 12-bit AD converters, resolver-to-digital converter, crossbar switches, functional safety capabilities and 5-V I/O • Application examples HEV, EV and other automotive applications

■ Product Groups with a 5-V Supply (Note 1)

<p>M370 Group On-chip vector engine</p> <ul style="list-style-type: none"> • Features Toshiba-original vector engine (VE) Single 5-V supply operation with high market demands System solutions that combine an MCU with motor drivers Small package (7 x 7 mm LQFP48) • Application examples Washing machines, air conditioners, refrigerators, heat pumps, inverter-motor-controlled equipment 	<p>M380 Group Multi-purpose timers for IGBT control</p> <ul style="list-style-type: none"> • Features Multi-purpose timers for motor and IGBT control Single 5-V supply operation with high market demands System solutions that combine an MCU with various peripheral ICs • Application examples Air conditioners, refrigerators, electric oven-grills, rice cookers, induction cooktops
--	--

■ TX03 Series Common Functions

- Cortex™-M3 core
- High-speed writing by NANO-Flash™ technology
- On-chip debug function
- ETM (embedded trace macro cell)
Except some microcontrollers in the M370 Group
- Watchdog timer

■ Added Functions (Note 1)

	M320 Group	M330 Group	M340 Group	M350 Group	M360 Group	M370 Group	M380 Group	M390 Group
High-speed operating clock (80 MHz or higher)	●			●	●			
Large-capacity Flash ROM (1 MB or more)				●	●			
On-chip DRAM	●							
USB device/host	●				●			
CAN				●	●			
EtherMAC					●			
Motor control			● <small>(Note 4)</small>	●	●	●	●	
Vector Engine				●		●		
Low-voltage operation (1.8 V or higher)								●
Single 5-V power supply						●	●	
High-accuracy analog IP <small>(Note 2)</small>			●	●	●	●	●	
Functions for audiovisual and home appliances <small>(Note 3)</small>	●	●			●			●
Compact package <small>(Note 5)</small>			●		●	●		●
External bus interface	●		●		●			
JTAG boundary scan			●		●			

Note 1: There are microcontrollers that do not contain some of the peripherals shown. For details, see appropriate datasheets.

Note 2: Contains either analog circuitry for motor control or a 12-bit AD converter.

Note 3: Contains a Consumer Electronics Control (CEC) unit, a remote control signal preprocessor or an I²S interface.

Note 4: Ultrasonic motor controller

Note 5: 9 x 9 mm or smaller packages

M330 Group

The M330 Group of microcontrollers are ideal for audiovisual applications. They incorporate a remote control signal receiving function and a Consumer Electronics Control (CEC) interface that remain active even in 32-kHz SLEEP mode. This helps to reduce standby power consumption of audiovisual systems.

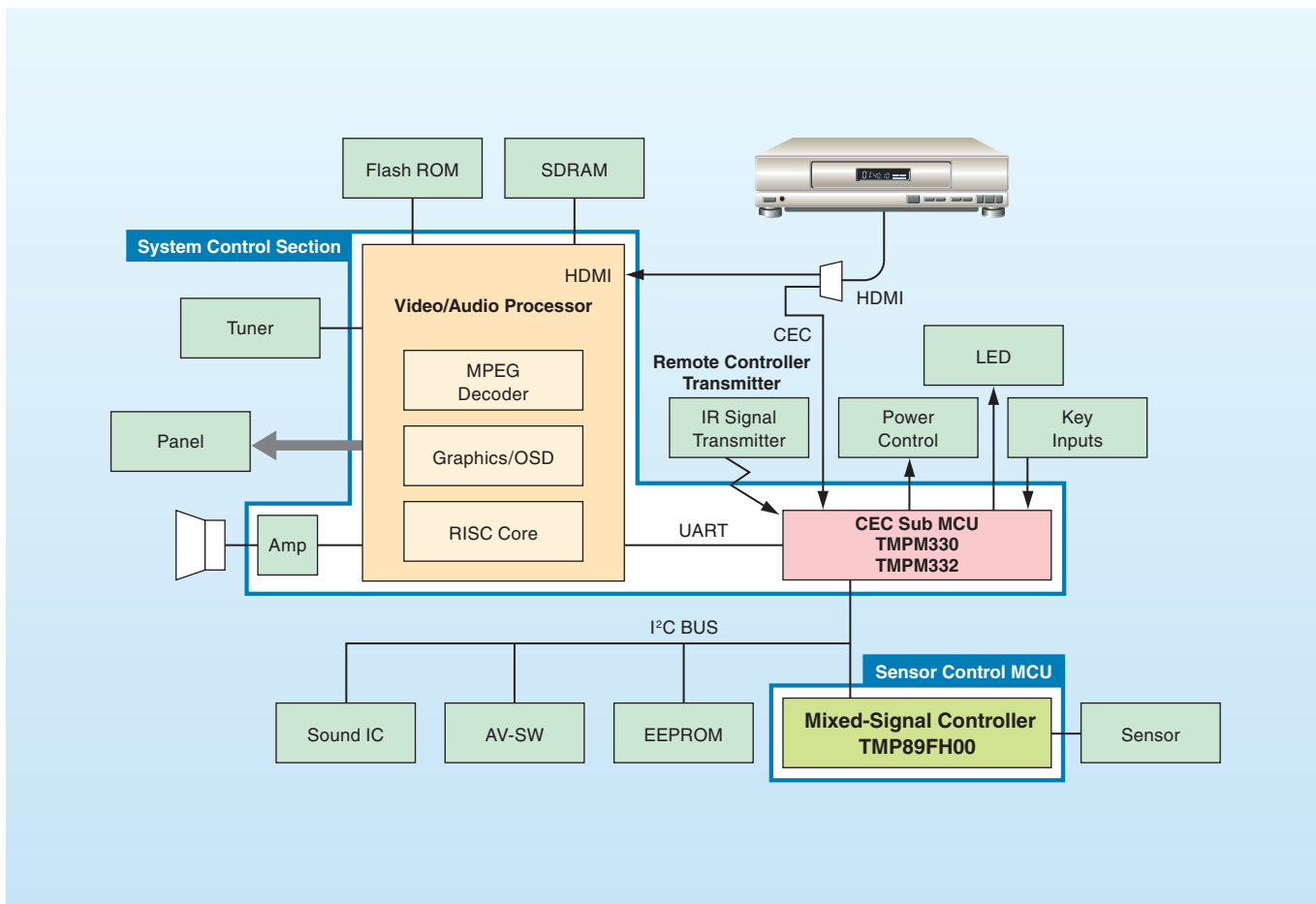
■ Features

- High-performance ARM Cortex™-M3 core: 40-MHz operation (max)
- Toshiba-original low-power consumption NANO FLASH™ memory: Fast programming
- Various serial interfaces
- CEC interface and remote control signal preprocessor that remain active even in SLEEP mode
- High-speed, high-accuracy 10-bit AD converter (1.15-μs conversion time @40 MHz)
- Real-time clock (RTC)

■ Application

- Digital TVs
- Hard disk recorders
- Projectors
- Blu-ray players
- Set-top boxes
- AV systems
- Home appliances
- Factory equipment
- Office equipment

■ System Block Diagram (Digital TV)



■ Product Lineup

Part Number	ROM (Flash) Size	RAM Size	Package	Features
TMPM330FWFG	128 KB	8 KB	LQFP100 (14 x 14 mm)	CEC interface Remote control signal preprocessor Real-time clock (RTC) * The TMPM330FDWFG and TMPM330FYWFG support an extended temperature range.
TMPM330FYFG	256 KB	16 KB	LQFP100 (14 x 14 mm)	
TMPM330FYWFG	256 KB	16 KB	LQFP100 (14 x 14 mm)	
TMPM330DFDG	512 KB	32 KB	LQFP100 (14 x 14 mm)	
TMPM330DWFG	512 KB	32 KB	LQFP100 (14 x 14 mm)	
TMPM332FWUG	128 KB	8 KB	LQFP64 (10 x 10 mm)	
TMPM333FWFG	128 KB	8 KB	LQFP100 (14 x 14 mm)	Real-time clock (RTC)
TMPM333FYFG	256 KB	16 KB	LQFP100 (14 x 14 mm)	
TMPM333DFDG	512 KB	32 KB	LQFP100 (14 x 14 mm)	

M340 Group

The M340 Group of microcontrollers are ideal for digital video camera, digital still camera and camera lens control applications. They incorporate analog circuits required for optical image stabilization, autofocus and auto-exposure control. The high-performance ARM Cortex™-M3 core provides high-speed computation functionality. Additionally, a high-resolution programmable phase generator (PPG) enables smooth and quiet motor operation.

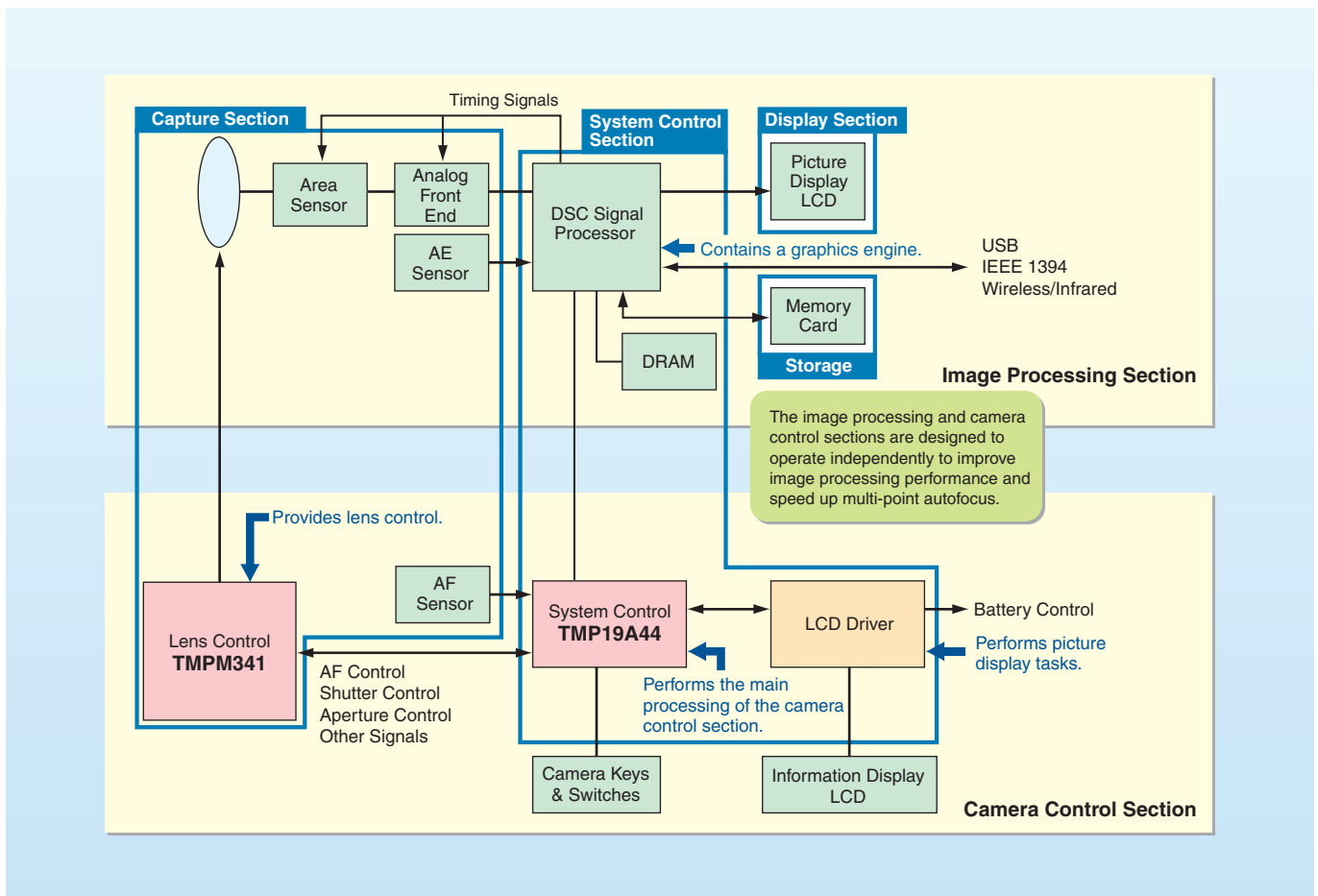
■ Features

- High-performance ARM Cortex™-M3 core: 54-MHz operation (max)
- Toshiba-original NANO FLASH™ memory: Fast programming
- High-resolution PPG (programmable phase difference of up to $\pm 90^\circ$): 160 MHz (max)
- High-speed, high-accuracy 12-bit AD converter; 10-bit DA converter
- Oscillation frequency detection (OFD)
- Various timers and serial interfaces
- 2-phase pulse counter
- Small package (6 x 6 mm TFBGA113)

■ Application

- Digital video cameras
- Digital still cameras
- Camera lens

■ System Block Diagram (Digital Still Camera)



■ Product Lineup

Part Number	ROM (Flash) Size	RAM Size	Package	Features
TMPM341FYXBG **	256 KB	32 KB	TFBGA113 (6 x 6 mm)	12-bit AD converter (1 μ s), 10-bit DA converter High-resolution PPG: 160 MHz (max); ideal for ultrasonic motor control
TMPM341FDXBG	512 KB	32 KB	TFBGA113 (6 x 6 mm)	

** : Under development

M360 Group

The base versions of the M360 Group include microcontrollers that offer large-capacity Flash ROM and up to 18 serial interface channels. The advanced versions also provide USB, CAN and EtherMAC interfaces, which are becoming de facto standards in embedded systems, as well as motor control capabilities. The M360 Group are ideal for a wide range of applications such as multifunction printers, audiovisual systems, industrial equipment and digital appliances.

■ Features

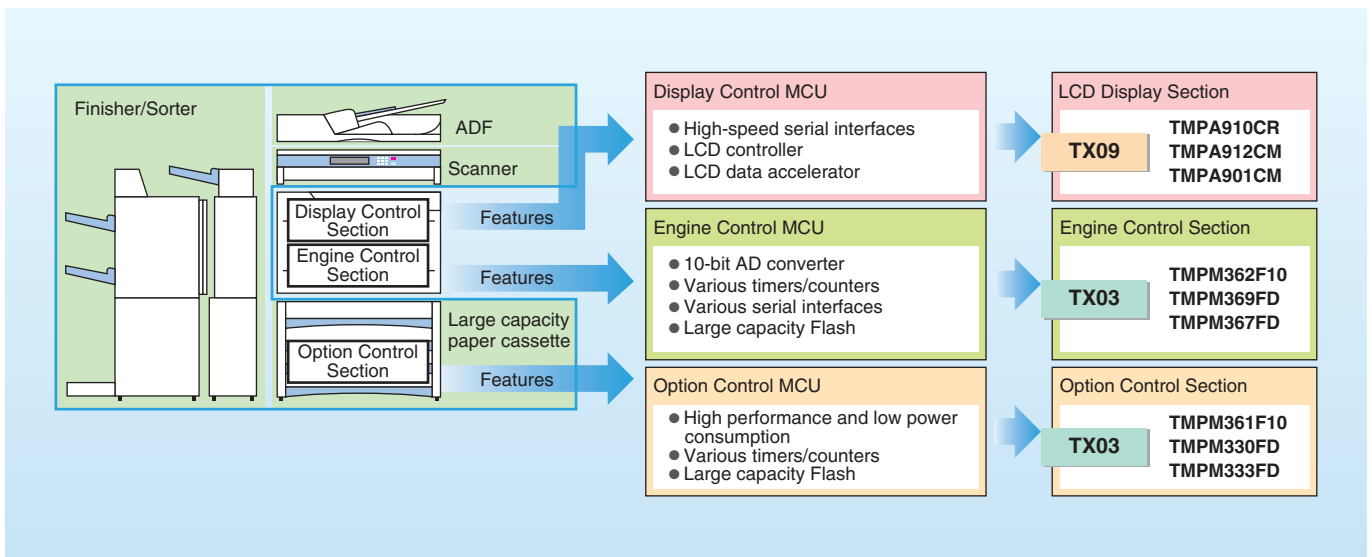
- High-performance ARM Cortex™-M3 core: 80-MHz operation (max)
- Large-capacity embedded Flash ROM fabricated using Toshiba-original NANO FLASH™ technology
- Various serial interfaces (up to 18 channels)
- USB device, USB host, CAN and EtherMAC controllers suitable for multi-connection systems
- External bus interface that can be connected to SoCs and external extended memory
- Multi-purpose timers capable of controlling various motors and IGBTs
- CEC interface and remote control signal preprocessor that remain active even in SLEEP mode
- Oscillation frequency detection (OFD)
- Small package (9 x 9 mm TFBGA109)

Note: TFBGA package of the TMPM366 and TMPM367 only

■ Application

- Printers
- AV systems
- Digital appliances
- PC peripherals
- Industrial equipment
- Networking equipment
- Office equipment

■ System Block Diagram (Printer)



■ Product Lineup

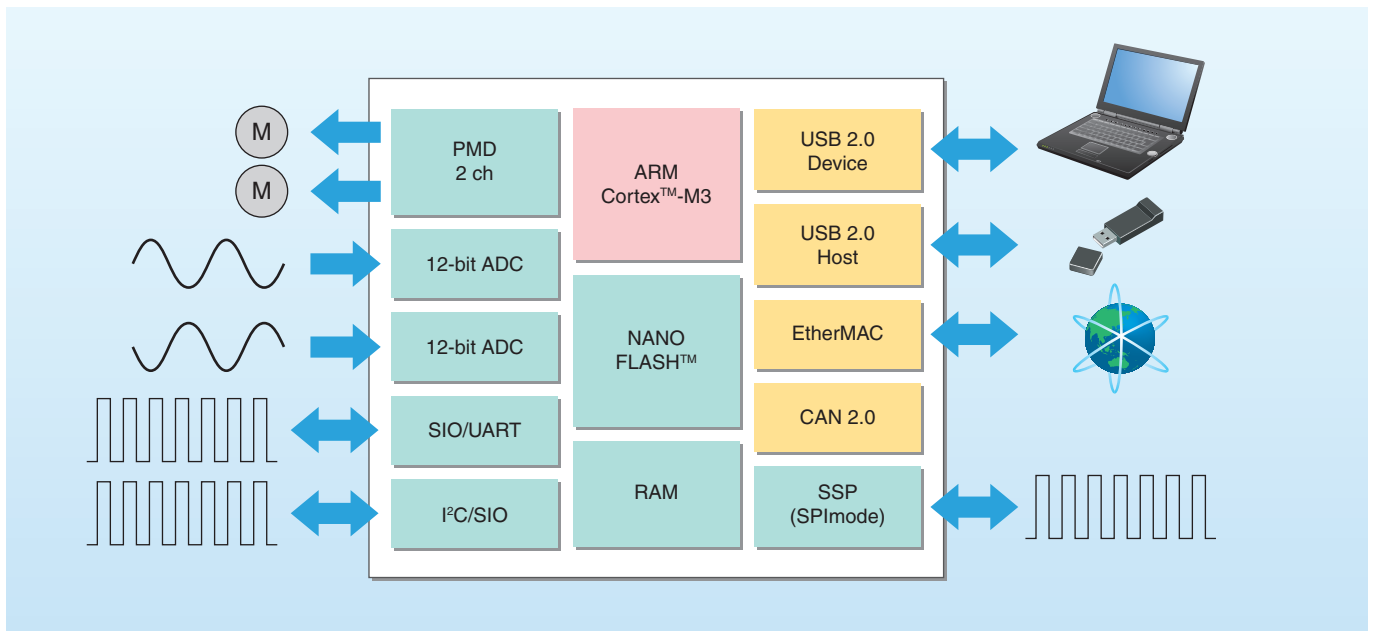
Part Number	ROM (Flash) Size	RAM Size	Package	Features
TMPM361F10FG	1 MB	64 KB	LQFP100 (14 x 14 mm)	CEC interface; remote control signal preprocessor
TMPM362F10FG	1 MB	64 KB	LQFP144 (20 x 20 mm)	CEC interface; remote control signal preprocessor Up to 18 serial interface channels
TMPM363F10FG	1 MB	64 KB	LQFP100 (14 x 14 mm)	CAN and USB 2.0 host controllers
TMPM364F10FG	1 MB	64 KB	LQFP144 (20 x 20 mm)	CAN and USB 2.0 host controllers
TMPM366FWFG/XBG **	128 KB	32 KB	LQFP100 (14 x 14 mm) TFBGA109 (9 x 9 mm)	USB 2.0 device controller DMA controller Full UART
TMPM366FYFG/XBG	256 KB	48 KB		
TMPM366FDFG/XBG	512 KB	64 KB		
TMPM367FWFG/XBG **	128 KB	50 KB	LQFP100 (14 x 14 mm) TFBGA109 (9 x 9 mm)	USB 2.0 device controller Dual AD converter PMD
TMPM367FYFG/XBG **	256 KB	66 KB		
TMPM367FDFG/XBG **	512 KB	128 KB		
TMPM369FYFG/XBG **	256 KB	66 KB	LQFP144 (20 x 20 mm) TFBGA177 (11 x 11 mm)	USB 2.0 device and host controller Dual AD converter PMD CAN EtherMAC
TMPM369FDFG/XBG **	512 KB	128 KB		

** : Under development

■ Features of the TMPM369DFG/XBG (Under Development) and TMPM369FYFG/XBG (Under Development)

■ Controls various interfaces independently – Contributing to reduction of the CPU workload

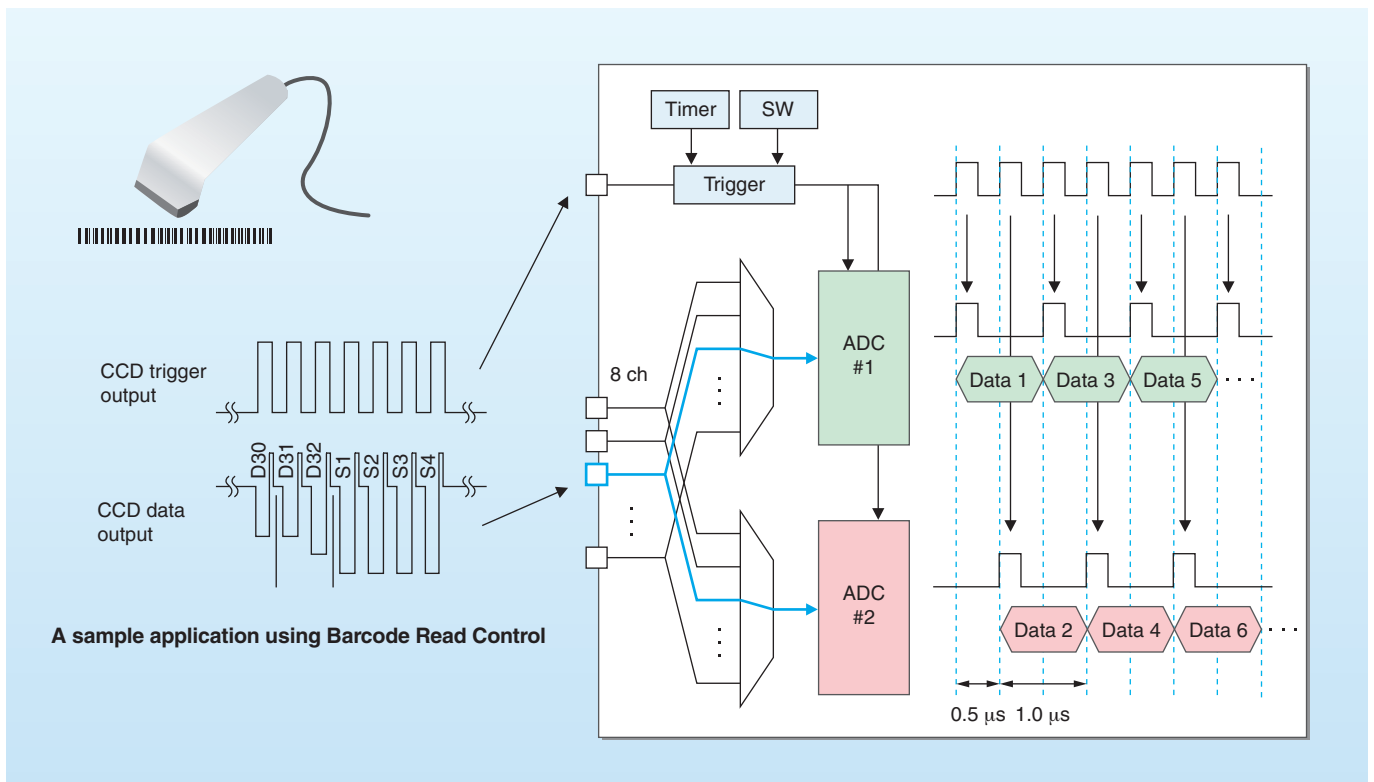
The TMPM369 has various external communication interfaces such as USB device, USB host, CAN, EtherMAC, SIO/UART, I²C/SIO and SSP (SPI mode). Additionally, the TMPM369 contains 2 units of AD converter and a programmable motor driver (PMD). All of them are designed to operate independently, significantly reducing the software workload. The TMPM369 provides Flash ROM of up to 512 KB and SRAM of up to 128 KB to facilitate the use of the various communication interfaces.



■ High-speed AD conversion – Using 2 units of AD converter

The TMPM369 contains 2 units of ADC. Their combined use provides high-speed AD conversion. While a single ADC offers a minimum conversion time of 1.0 μ s at 80 MHz, applying an analog signal to 2 units of ADC and using them in a time-interleaved manner significantly reduces the conversion time required*.

*0.5 μ s minimum (design target)



M370 Group

The M370 Group of microcontrollers contain a Vector Engine (VE) that implements the common computation functionality for motor vector control. Additionally, the VE is closely coupled with a three-phase PWM timer and a 12-bit AD converter for motor current sensing. The M370 Group are designed to improve motor control efficiency while reducing software workload. The M370 Group operate with a single 5-V supply and provide analog comparators and amplifiers to help cut system costs.

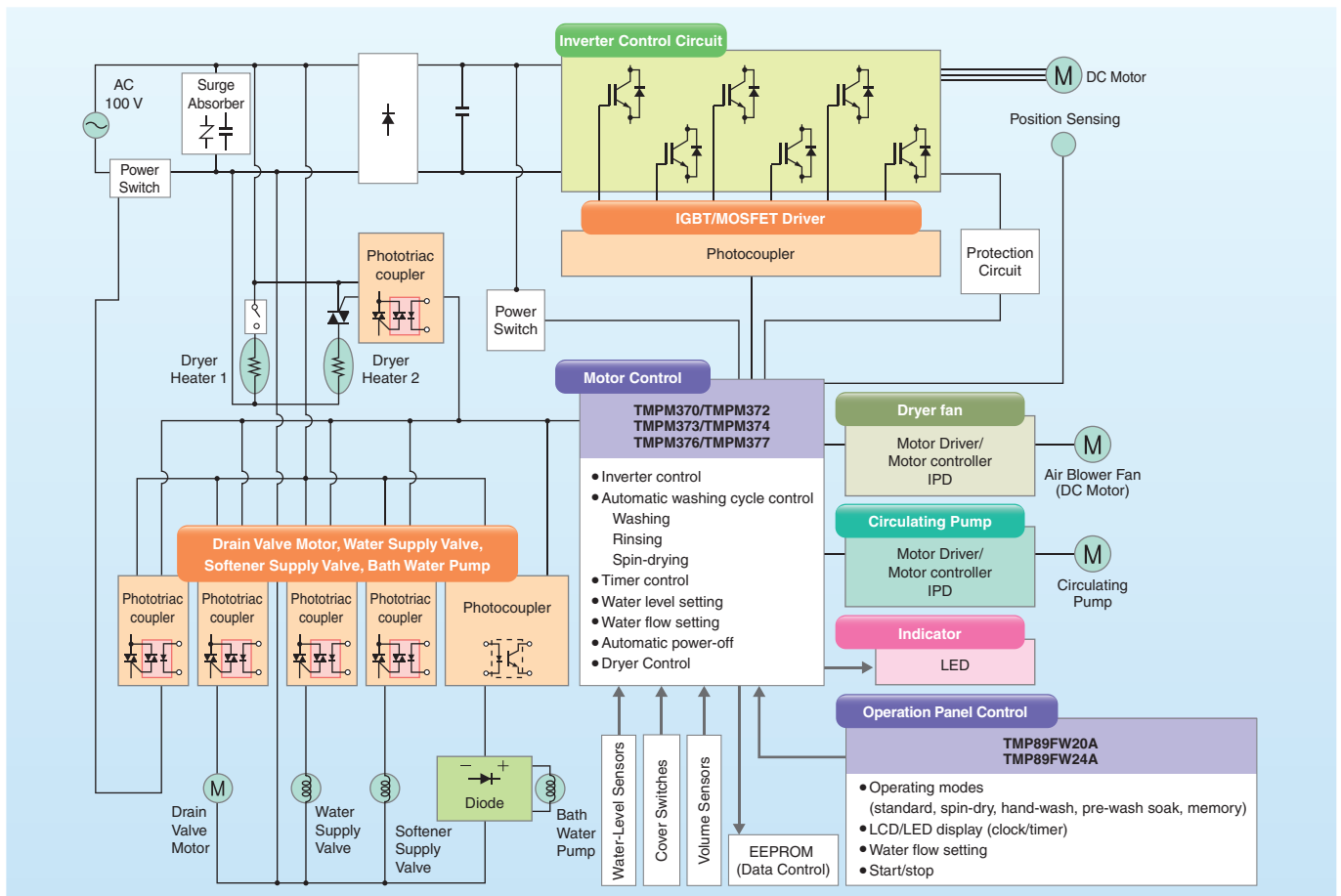
■ Features

- High-performance ARM Cortex™-M3 core: 80-MHz operation (max)
- Toshiba-original NANO FLASH™ memory: Fast programming
- Toshiba-original Vector Engine (VE) that implements part of motor vector control as hardware
- Various analog circuits* (comparators, op amps) * TMPM370 only
- 12-bit AD converter
- Oscillation frequency detection (OFD); compliant with the IEC 60730 standard
- Single 5-V power supply
- Small package (7 x 7 mm LQFP48) Note: TMPM373FWDUG only

■ Application

- Washing machines
- Air conditioners
- Refrigerators
- Heat pumps
- Pumps, compressors, air blowers
- Other rotating devices

■ System Block Diagram (Washing Machine)



■ Product Lineup

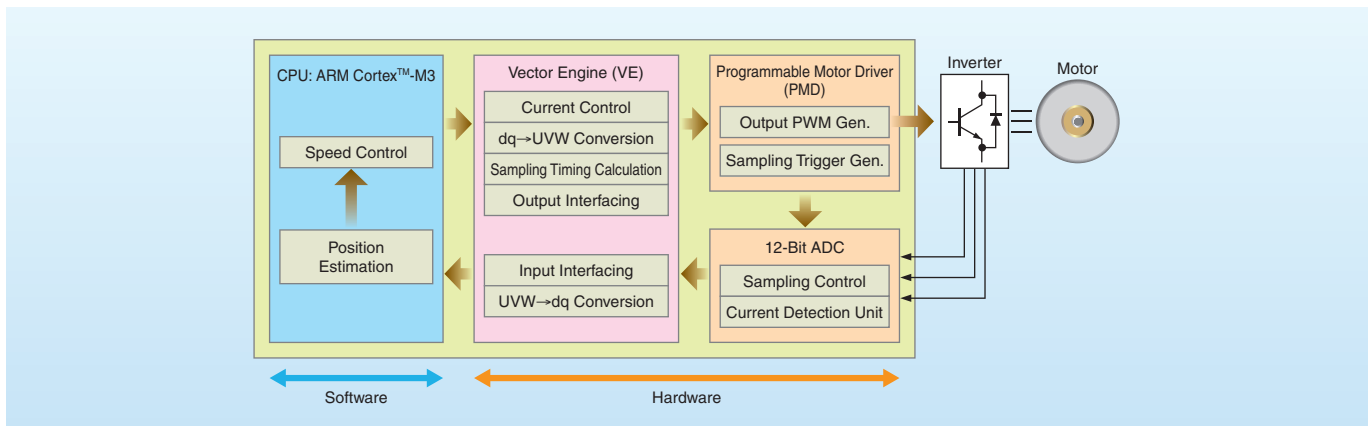
Part Number	ROM (Flash) Size	RAM Size	Package	Features
TMPM370FYFG	256 KB	10 KB	LQFP100 (14 x 14 mm)	Capable of controlling two motors for a wide range of inverter applications. Contributing to the system cost reduction by incorporating various analog circuits
TMPM370FYDFG	256 KB	10 KB	QFP100 (14 x 20 mm)	
TMPM372FWUG **	128 KB	6 KB	LQFP64 (10 x 10 mm)	Low-pin-count MCUs for single motor control Ideal for compressor control for refrigerators, etc.
TMPM373FWDUG **	128 KB	6 KB	LQFP48 (7 x 7 mm)	
TMPM374FWUG	128 KB	6 KB	LQFP44 (10 x 10 mm)	
TMPM376FDFG **	512 KB	32 KB	LQFP100 (14 x 14 mm)	Capable of controlling two motors for a wide range of inverter applications.
TMPM376FDDFG **	512 KB	32 KB	QFP100 (14 x 20 mm)	
TMPM377FYFG **	256 KB	16 KB	LQFP80 (12 x 12 mm)	
TMPM377FYDFG **	256 KB	16 KB	LQFP80 (14 x 14 mm)	

** : Under development

■ Features of the Vector Engine (VE)

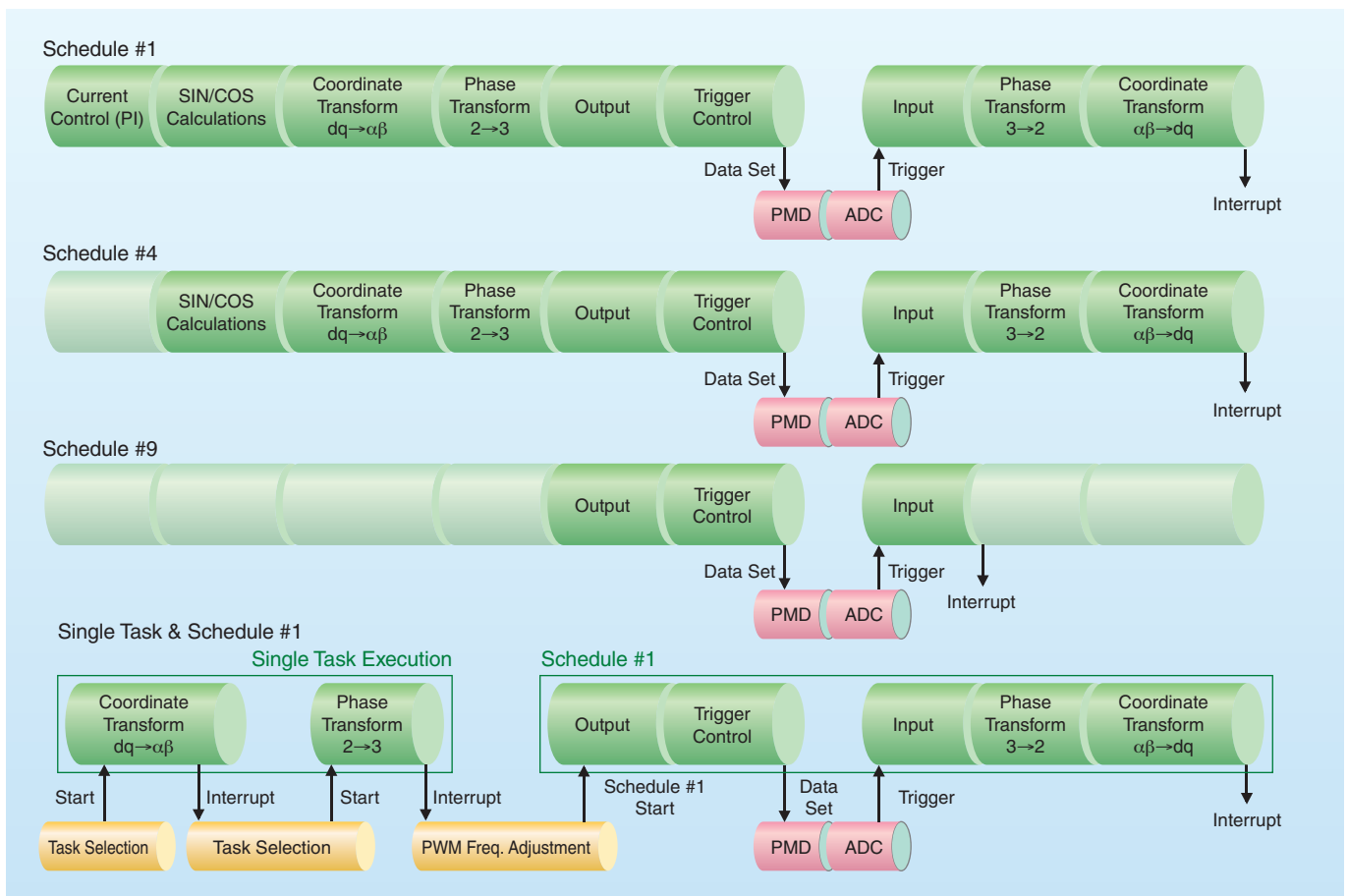
■ High-efficiency motor control, reducing the CPU workload

The vector engine is a dedicated hardware unit designed to perform various operations for motor vector control. Since the vector engine has the capability for performing basic vector control operations (such as coordinate transformations, phase transformations and sine/cosine calculations), a PI algorithm for current control, and PMD and high-speed ADC interface operations, it helps to reduce the software workload significantly.



■ Highly flexible hardware

Since the requirements for speed control and position estimation differ greatly among individual applications and users, they can be implemented via software. The vector engine provides great flexibility in allowing you to create various schedules that define a combined sequence of VE and user's software operations to perform. The vector engine supports two operating modes: Scheduled mode that executes a series of operations consecutively and Single Task mode that executes individual tasks one by one. Schedules can select a task that causes the vector engine to start execution.



M380 Group

The M380 Group consists of high-performance microcontrollers that provide multi-purpose timers capable of controlling power devices used in home appliances, thereby enabling motor and induction heating (IH) control. Since they operate with a single 5-V supply, new designs can be created without replacing 5-V peripheral ICs. Additionally, a wide variety of on-chip timers and serial interfaces makes the M380 suitable for a broad range of applications, including housing and industrial equipment. The oscillation frequency detection (OFD) circuit allows the M380 to detect abnormal oscillation at the hardware level.

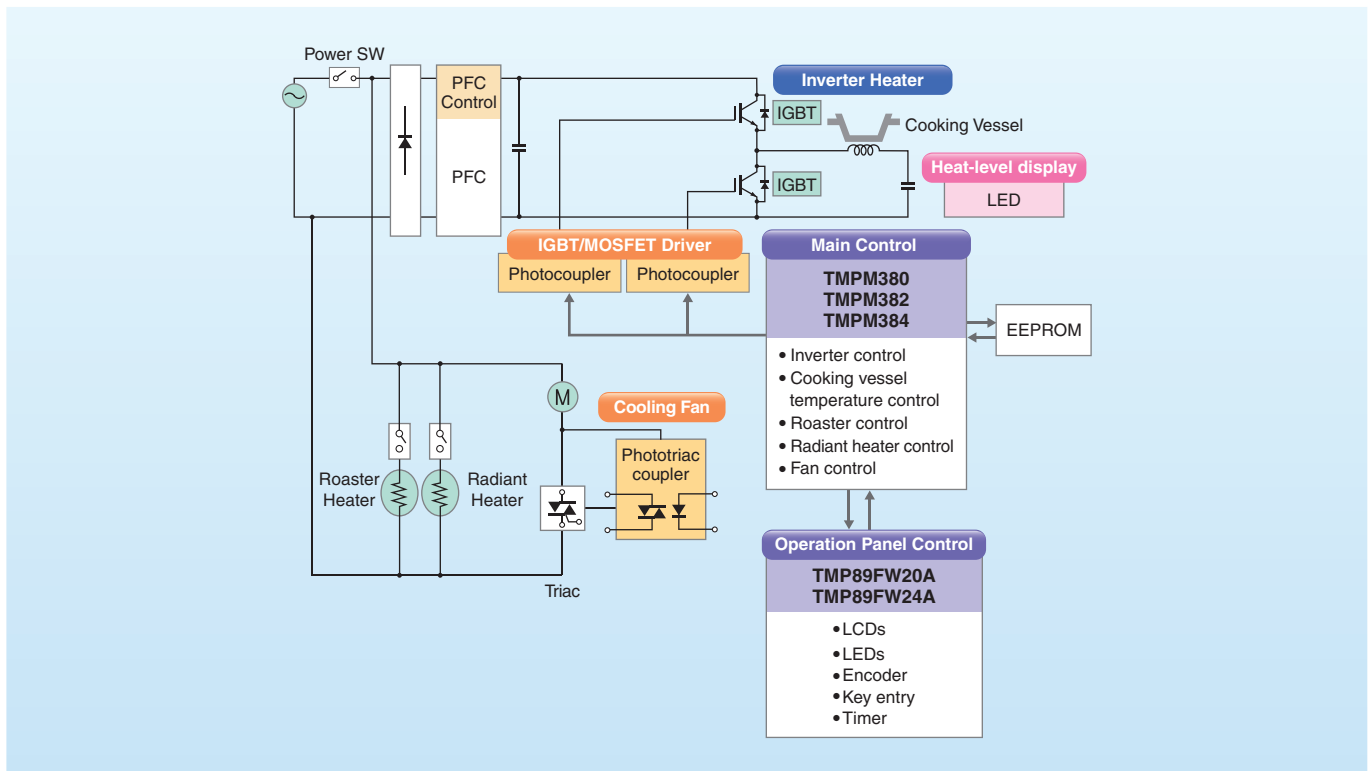
■ Features

- High-performance ARM Cortex™-M3 core: 40-MHz operation (max)
- Toshiba-original NANO FLASH™ memory: Fast programming
- Multi-purpose timers (IGBT and motor control modes)
- Various serial interfaces
- AD converter with data monitoring function
- Oscillation frequency detection (OFD); compliant with the IEC 60730 standard
- High-speed oscillator; power-on reset; voltage detection circuit
- Single 5-V power supply

■ Application

- Air conditioners
- Refrigerators
- Dishwashers
- Induction cooktops
- Microwave ovens
- Water heaters
- Rice cookers
- Bidet toilets

■ System Block Diagram (Induction Cooktops)



■ Product Lineup

Part Number	ROM (Flash) Size	RAM Size	Package	Features
TMPM380FWFG	128 KB	12 KB	LQFP100 (14 x 14 mm)	Capable of controlling three-channel half bridges or two-channel motors with multi-purpose timers. The emergency protection circuit can disable the PWM output immediately.
TMPM380FWDFG	128 KB	12 KB	QFP100 (14 x 20 mm)	
TMPM380FYFG	256 KB	16 KB	LQFP100 (14 x 14 mm)	
TMPM380FYDFG	256 KB	16 KB	QFP100 (14 x 20 mm)	
TMPM380FDFG **	512 KB	32 KB	LQFP100 (14 x 14 mm)	
TMPM382FSFG **	64 KB	8 KB	QFP64 (14 x 14 mm)	Low-pin-count MCUs with multi-purpose timers designed to control a single-channel half bridge or motor
TMPM382FWFG **	128 KB	12 KB	QFP64 (14 x 14 mm)	
TMPM384FDFG **	512 KB	32 KB	LQFP144 (20 x 20 mm)	High-pin-count MCU with multi-purpose timers designed to control up to four-channel half bridges or a single-channel motor

** : Under development

M390 Group

The 1.8-V low-power mode of the M390 Group makes it ideal for battery-operated applications. The on-chip high-speed, high-accuracy oscillator helps reduce product costs. The M390 Group are available in standard and small packages.

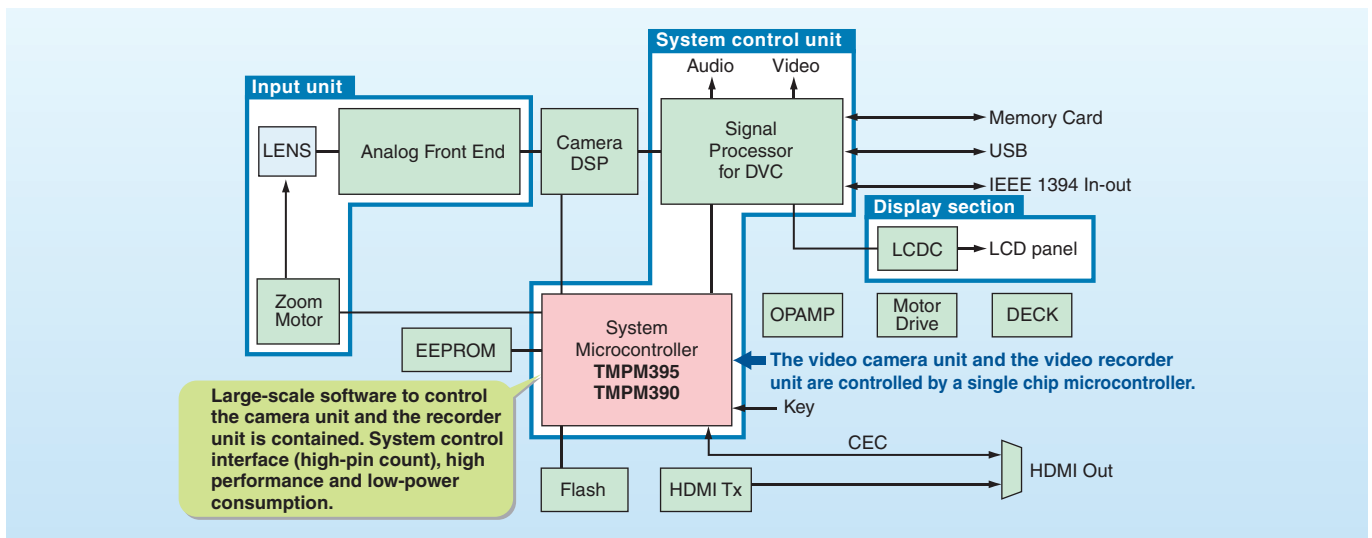
■ Features

- High-performance ARM Cortex™-M3 core: 20-MHz operation (max)
- Toshiba-original NANO FLASH™ memory: Fast programming
- 1.8-V low-power (RTC) mode (1.3 μA typ.)
- Various serial interfaces
- CEC interface and remote control signal preprocessor that remain active even in low-power mode
- On-chip high-speed oscillator (9.91 MHz ± 3% @ 0 to 70°C)
- Oscillation frequency detection (OFD); compliant with the IEC 60730 standard
- Small package (6 x 6 mm TFBGA120) Note: TMPM395FWAXBG only

■ Application

- Health care equipment
- Game consoles
- AV systems
- Power monitoring devices
- Battery-operated devices
- Remote-controlled equipment

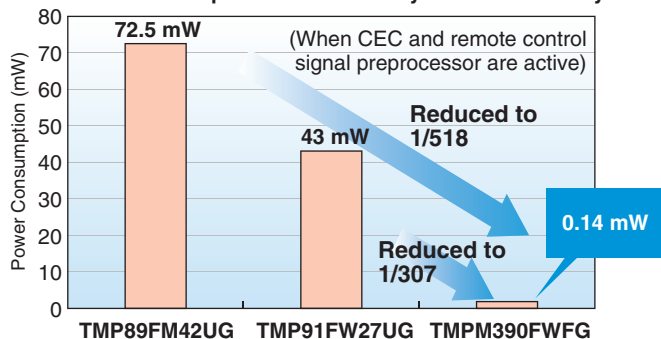
■ System Block Diagram (Digital Video Camera)



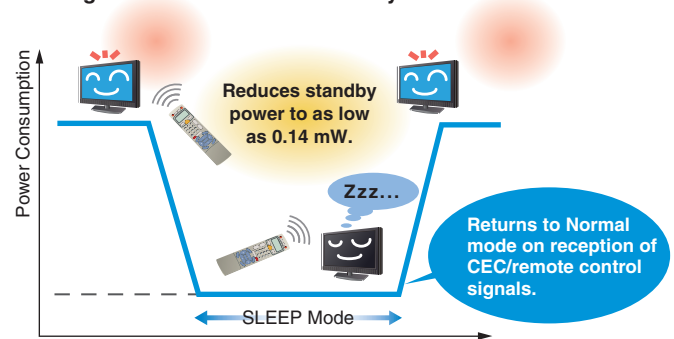
■ Low-Power MCUs

Audiovisual systems must be able to receive Consumer Electronics Control (CEC) commands and remote control signals even when they are off. While the predecessor microcontrollers, the TLCS-900/L1 and TLCS-870/C Series, need to keep these functions in normal operating mode even when off, the M390 Group of microcontrollers can do them in low-power mode at 32.768 kHz, significantly reducing standby power consumption.

MCU Power Consumption When an AV System is in Standby Mode



Significant Reduction of Standby Power



■ Product Lineup

Part Number	ROM (Flash) Size	RAM Size	Package	Features
TMPM390FWFG **	128 KB	8 KB	LQFP100 (14 x 14 mm)	1.8-V low-power (RTC) mode (1.3 μA typ.)
TMPM395FWAXBG	128 KB	8 KB	TFBGA120 (6 x 6 mm)	Housed in a small package. 1.8-V low-power (RTC) mode (1.3 μA typ.)

** : Under development

M350 Group (for Automotive Applications)

The TMPM350FDTFG microcontroller of the M350 Group is specifically designed for automotive applications. The TMPM350FDTFG provides various peripheral functions, such as CAN controllers and AD converters, as well as a Toshiba-original Programmable Motor Driver (PMD).

The TMPM354F10TFG is designed for automotive motor control applications. It contains a Vector Engine (VE) that enables efficient motor control, a Toshiba-original motor controller that supports one-shot pulse control, CAN controllers, and a resolver-to-digital converter (RDC). Additionally, the TMPM354F10TFG offers functional safety features. Because Toshiba's functional safety technology is compliant with ISO 26262, using the TMPM354F10TFG will facilitate certification of your product.

■ Features (TMPM350FDTFG)

- High-performance ARM Cortex™-M3 core: 88-MHz operation (max)
 - Motor control circuits
 - Programmable Motor Driver (PMD)
 - 12-bit AD converters: 10 ch x 2 units
 - Resolver excitation circuit
 - CAN controller: 2 channels (V2.0 B)
 - High temperature operation (Ta: 105°C max)
 - Functional safety: Optimized tightly coupled fault supervisors (ISO 26262-compliant)
- Fault supervisors with different algorithms monitor the detailed operation of each block integrated in an MCU. This architecture provides a low-cost, single-CPU solution for functional safety.

■ Application

- Electric power steering (EPS) and other automotive control applications

■ Product Lineup

Part Number	ROM (Flash) Size	RAM Size	Package	Features
TMPM350FDTFG **	512 KB	48 KB	LQFP100 (14 x 14 mm)	<ul style="list-style-type: none"> • ARM Cortex™-M3 plus Toshiba-original Programmable Motor Driver (PMD) • 2-channel CAN controller and 2 units of AD Converter • Functional safety: Optimized tightly coupled fault supervisors The CAN controllers and the blocks that implement functional safety contain logic specifically designed for automotive applications, making the TMPM350FDTFG suitable for motor applications in safety-related systems such as electronic power steering (EPS).
TMPM354F10TFG **	1 MB	64 KB	LQFP144 (20 x 20 mm)	<ul style="list-style-type: none"> • ARM Cortex™-M3 plus Toshiba-original Advanced Programmable Motor Driver (A-PMD) • 3-channel CAN controller and 4 units of AD Converter • Toshiba-original Vector Engine • Reduced part count and improved noise immunity due to the built-in RDC Ideal for motor control applications in HEVs and EVs owing to enhanced motor controllers, angle sensor computation, in-vehicle networking, etc.

** : Under development

■ Features (TMPM354F10TFG)

- High-performance ARM Cortex™-M3 core: 80-MHz operation (max)
 - Advanced motor control circuits
 - Advanced Programmable Motor Driver (A-PMD)
 - Vector Engine (VE): The increased hardware computation for motor vector control reduces the CPU workload approx. 50% (compared to the predecessor).
 - One-shot pulse control: Almost the same CPU workload at high rpms as for mid-rpms
 - Resolver-to-digital converter (RDC): Increases design flexibility, reduces system costs and improves noise immunity.
 - High-temperature operation (Ta: 125°C max)
 - Functional safety: Optimized tightly coupled fault supervisors (ISO 26262-compliant)
- Fault supervisors with different algorithms monitor the detailed operation of each block integrated in an MCU. This architecture provides a low-cost, single-CPU solution for functional safety.

■ Application

- HEV, EV and other automotive control applications

M320 Group (for Audio Applications)

The TMPM320C1DFG of the M320 Group incorporates a USB host controller and an SD host controller. Additionally, it has a 1-MB DRAM to process a large amount of data.

The TMPM320C1DFG can be used in tandem with a system MCU and a CD processor to play back music content from USB memory, etc.

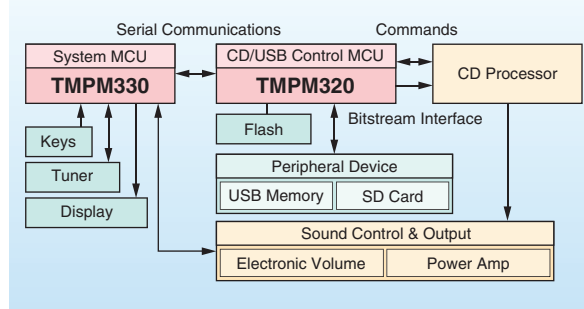
■ Features

- High-performance ARM Cortex™-M3 core: 144-MHz operation (max)
- USB 2.0 host controller (HS/FS)
- SD host controller
- 320-KB SRAM and 1-MB DRAM

■ Application

Car audio systems
Home audio systems

■ System Block Diagram (Car Audio System)



■ USB/SD Audio Features

- Music content playback from an USB memory
- Music content playback from an SD card (SDHC and SDXC* supported)
- Quick USB/SD analysis
- PlayList playback*
- Alphabetical sorting
- Supports MP3, WMA, AAC and WAV.

* Enhancements will be added.

■ Product Lineup

Part Number	ROM Size	RAM Size	DRAM Size	Package	Features
TMPM320C1DFG	-	320 KB	1 MB	LQFP144 (20 x 20 mm)	USB host controller (HS/FS) SD host controller DRAM 1 MB

▶ TOSHIBA Semiconductor & Storage Products Company

Website

Right here and now!

<http://www.semicon.toshiba.co.jp/eng/>

▶ **Microcomputer web page**

You can find microcontrollers that will best suit your applications.

Find microcontrollers based on applications.

Find microcontrollers based on the core performance.

Find microcontrollers based on functions.

Find development systems.

Information on new products

Development Environment

You can choose among a wide range of development tools and partners for ARM-based microcontroller development system. Choose the best development tools and partners that suit your needs.

• Third-Party

S : Starter kit

C : Compiler

D : Debugger

I : In-circuit emulator

R : Real-time OS

M : Middleware

F : Flash programmer

Worldwide

ARM Ltd. (Keil)	S C D I R M
Atollic AB	C D
Elneec s.r.o.	F
IAR Systems	S C D I R F

MINATO ELECTRONICS INC.	F
Sophia Systems Co., Ltd.	D I F
Yokogawa Digital Computer Corporation	D I F

ZLG (GUANGZHOU ZHIYUAN ELECTRONICS CO., LTD)	C D I F	HI-LO SYSTEMS ELECTRONICS CO., LTD	F
--	---------	------------------------------------	---

BITRAN CORPORATION	D I	Falcon Denshi K.K.	F	Kyoto Microcomputer Co., Ltd.	C D I
COMPUTEX CO., LTD.	S D I F	Flash Support Group, Inc.	F	MiSPO Co., Ltd.	R
eForce Co., Ltd.	R	GRAPE SYSTEMS INC.	R M	TOSHIBA INFORMATION SYSTEMES (JAPAN) CORPORATION	R

• Development Systems

Partner Vendor	Compiler	Debugger	Emulator
ARM Ltd. (Keil)	MDK-ARM	μVision®	ULINK2®, ULINK® Pro
Atollic AB	TrueStudio		J-LINK (Note 1)
BITRAN CORPORATION	–	Code Stage	JeRana
COMPUTEX CO., LTD.	–	CSIDE®	J-STICK, PALMiCE3, PALMiCE2H
IAR Systems	EWARM (IAR Embedded Workbench for ARM)		J-LINK, J-TRACE
Kyoto Microcomputer Co., Ltd.	exeGCC		ICE PARTNER-Jet
Sophia Systems Co., Ltd.	–	WATCHPOINT	EJSCATT
Yokogawa Digital Computer Corporation	–	microVIEW	Advice Pro, Advice LUNA
ZLG (GUANGZHOU ZHIYUAN ELECTRONICS CO., LTD)	TKStudio		Tkscope emulators

• Real-Time OS

Partner Vendor	Tool
ARM Ltd. (Keil)	RTX Kernel
eForce Co., Ltd.	μC3, μNET3
GRAPE SYSTEMS INC.	ThreadX
IAR Systems	embOS (Note 1), μC/OSII (Note 2)
MiSPO Co., Ltd.	NORTi
TOSHIBA INFORMATION SYSTEMES (JAPAN) CORPORATION	UDEOS4

• Programming Tools

Partner Vendor	On-Board Programming	Off-Board Programming
COMPUTEX CO., LTD.	FP-10	–
Elneec s.r.o.	–	BeeProg2 series
Falcon Denshi K.K.	–	ALL-100AX
Flash Support Group, Inc.	AF9101, AF9103	AF9709C, AF9723B + AF9845B/C
HI-LO SYSTEMS RESEARCH CO., LTD	–	ALL-100A
IAR Systems	Flasher ARM	–
MINATO ELECTRONICS INC.	–	Model1895, Model1895/2, Model1896, Model1940
Yokogawa Digital Computer Corporation	MegaNET IMPRESS	–
ZLG (GUANGZHOU ZHIYUAN ELECTRONICS CO., LTD)	TKScope + K-Flash	SmartPRO programmers

For development tools and vendors that are not described herein, contact your local Toshiba sales representative.

Note 1: SEGGER Microcontroller's product

Note 2: Micrium's product

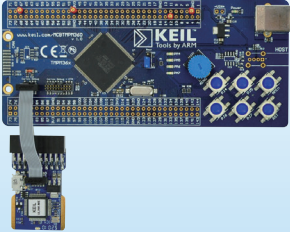
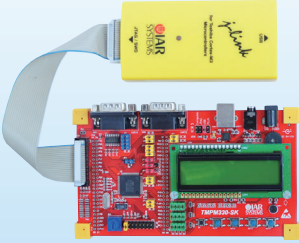
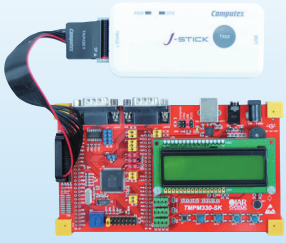
* The system and product names listed on this page may be trademarks or registered trademarks of their respective companies.

- 14 -

■ Third-Party Microcontroller Starter and Training Kits

For the ARM core-based TX03 Series, evaluation and training kits are available from third parties. They will come handy for evaluation purposes prior to development.

All the kits come with an evaluation version of the Toshiba integrated development environment* and sample software*, so you can perform all the software development steps from prototyping to evaluation. (*Packaged or downloadable)

<p>ARM Ltd. (Keil) www.arm.com</p> <p><Supported MCUs> TMPM330 TMPM364 TMPM395 TMPM362 TMPM390</p> 	<p>IAR Systems www.iar.com</p> <p><Supported MCUs> TMPM330 TMPM364 TMPM370 TMPM341 TMPM366 TMPM380</p> 	<p>COMPUTEX CO., LTD. www.computex.co.jp/eg</p> <p><Supported MCU> TMPM330</p> 
--	--	---

■ Toshiba Sample Device Drivers



You can download standard device drivers for the on-chip peripherals; thus you can focus on the development of application software.

For the supported microcontrollers, visit the Toshiba microcomputer website at:
<http://www.semicon.toshiba.co.jp/eng/product/micro/index.html>

● CMSIS

Toshiba's microcontrollers with an ARM Cortex™-M3 core is compliant with the Cortex Microcontroller Software Interface Standard (CMSIS) defined by ARM Ltd.

The CMSIS is a software interface standard, which enables consistent and simple software interfaces to the processor for interface peripherals, real-time operating systems, and middleware, simplifying software re-use, and reducing the learning time for new microcontroller developers. Toshiba's sample software and drivers are CMSIS-compliant. ARM Ltd. also offers various CMSIS DSP libraries of sample software as shown at right, which can be downloaded from the onARM website.

onARM website: <http://www.onarm.com/>

Sample Software Examples

- Vector operations
- Matrix operations
- Complex number operations
- Filter functions
- Control functions
- PID controllers
- Fourier transforms

● Header files, peripheral drivers and sample programs

Toshiba offers a suite of drivers for controlling on-chip peripherals without being concerned about registers.

Toshiba also offers sample programs for on-chip peripherals that combine multiple drivers.

Sample Program Examples

- | | |
|--|---|
| <ul style="list-style-type: none"> • Reading ADC data from an analog input pin • Switching between NORMAL and STOP modes • Generating a sawtooth waveform from the DA pin • UART initialization and receive/transmit operation using the DMAC • Reading and writing an SRAM connected to the external bus • Executing a program out of the on-chip RAM to erase and program the on-chip Flash memory | <ul style="list-style-type: none"> • I²C master/slave configuration • SSP initialization and self-loopback test • Generating timer interrupts at an interval of 500 ms • Generating square-wave forms with variable duty cycles using the PPG • Watchdog timer initialization |
|--|---|

● Application Notes

Application notes are provided in the form of sample software in order to help you better understand Toshiba's microcontrollers before you begin product development. You can also use them as a guide when creating software.

Third-Party Development Support Tools

S : Starter kit	M : Middleware
C : Compiler	V : Verification tool
D : Debugger	F : Flash programmer
I : In-circuit emulator	P : Flash programming service
R : Real-time OS	Di : Distributor

For details, please contact the third-party companies directly. (Listed in alphabetical order)

<p>S</p> <p>C</p> <p>D</p> <p>I</p> <p>R</p> <p>M</p>	<p>● ARM Ltd. (Keil) http://www.arm.com/</p> <p> KEIL™ The RealView Microcontroller Development Kit (MDK) is an integrated software development environment for ARM-based microcontrollers. The RealView MDK consists of the ARM RealView Compilation Tools and the Keil μVision IDE, a debugger and simulation environment. It is an easy-to-use yet powerful tool optimized for ARM-based devices.</p> <p><small>An ARM® Company</small></p>
<p>C</p> <p>D</p>	<p>● Atollic AB http://www.atollic.com/</p> <p> atollic The Atollic TrueSTUDIO® is an embedded system tool that will meet your needs for the next 10 years. Built on the ECLIPSE IDE framework, TrueSTUDIO® can be seamlessly integrated with existing embedded systems, improving development productivity and user-friendliness. TrueSTUDIO® provides C/C++, build/debug and simulation tools for the Toshiba TX processors and enables algorithm testing even before a hardware interface is available. Additionally, it supports features that facilitate team collaboration such as migration paths from UML models to software solutions, a version management system and a bug/task database system.</p>
<p>S</p> <p>D</p> <p>I</p> <p>F</p>	<p>● COMPUTEX CO., LTD. http://www.computex.co.jp/eg/</p> <p> Computex® Computex manufactures development support systems that assist in debugging embedded software. A seamless development environment is available for the TX03 Series that encompasses everything from evaluation and development to the production phase. The PALMiCE3 JTAG emulators support various target interfaces such as JTAG and ETM. The on-chip flash programmer, FP-10, provides a standalone mode that does not require a host PC and operates at 3 to 5 V. ROMiCEmini supports the TX19A and TLCS-900/H1 Series.</p>
<p>R</p>	<p>● eForce Co., Ltd. http://www.eforce.co.jp/english.html</p> <p> eForce eForce is a pure-play embedded software firm dedicated to the development and sales of middleware such as the μITRON-compliant μC3 real-time operating system (RTOS), the compact μNet3 TCP/IP stack and USB. Since its establishment, eForce has focused on ARM microcontrollers, offering the compact μC3/Compact RTOS for the TX03 Series and μC3/Standard for the TX09 Series.</p>
<p>F</p>	<p>● Elnec s.r.o. http://www.elnec.com/</p> <p> ELNEC Elnec develops and manufactures universal programmers for engineering and volume production. The company offers high-quality and well-designed products at affordable prices. Most Elnec device programmers include a 3-year warranty. Updates of programmer's software are released according to the customers' needs (in many cases daily) and download of the new software version is available free of charge. For more information, please visit Elnec's website. Elnec supports an extensive range of Toshiba programmable devices and support grows with each version of a new programmer's software.</p>

For details, please contact the third-party companies directly. (Listed in alphabetical order)

F	● Flash Support Group, Inc. http://www.j-fsg.co.jp/en/
P	 Flash Support Group offers various semiconductor device tools mainly for Flash microcontrollers. The company's product portfolio includes auto programming systems, a wide variety of programmers (covering low-cost on-board programming to development and mass-production programming) and peripheral tools. The programmers support an extensive range of devices including Toshiba's TX19, TLCS-900 and TLCS-870 Families. Speedy and flexible programming services are also available.
V	● GAIO TECHNOLOGY CO., LTD http://www.gaiotech.com/
	 Gaio Technology develops and offers tools for improving the quality of embedded software, such as CoverageMaster winAMS, a unit testing tool for embedded software, No. 1 System Simulator that uses a high-speed MPU simulator, and CasePlayer2, a program chart and specification document generation tool. These tools support the latest ARM-based TX03 Series in addition to TX19, TLCS-900 and TLCS-870.
F	● HI-LO SYSTEMS RESEARCH CO., LTD http://www.hilosystems.com.tw/
	 The ALL-100A programmer from Hi-Lo Systems has 68 sets of Precise Universal Pin Driver to provide high-speed, low-noise, accurate and reliable programming signals for various IC products including high-speed, low-power devices recently released to the market. ALL-100A can be set up for either single-site programming for engineering or multi-site programming for production. If required, up to 8 sets of ALL-100A can be set up for multi-set operation so up to 64 sites can be programmed simultaneously to maximize production. Supporting software for the ARM core-based TX03 Series, TLCS-900/H1 Series, TLCS-870/C1 Series, etc. is available now. Device support on the website for check/retrieve is updated weekly.
S	● IAR Systems http://www.iar.com/
C D I R F	 IAR Systems offers an inexpensive evaluation kit for the ARM Cortex™-M3-based TX03 and ARM9-based TX09 Series. The IAR evaluation kit consists of a target board, an integrated development environment (evaluation version), a JTAG in-circuit emulator and ready-to-run sample application programs. You can readily use it for the entire development cycle from device evaluation to application-level prototyping and evaluation. You can save significant time and costs otherwise needed at the onset of development.
C	● Kyoto Microcomputer Co., Ltd. http://www.kmckk.co.jp/eng/
D I	 As a company specializing in debugger software and in-circuit emulators, Kyoto Microcomputer has been engaged in the improvement of embedded development environments. Its JTAG ICE, "PARTNER-Jet", offers a powerful and efficient debug environment incorporating advanced features ahead of other companies, such as support for multi-core processors and operating systems with an MMU (Linux, Windows CE, T-Engine, etc.) that are recently adopted in high-end embedded environments. PARTNER-Jet supports the TX49 and TX99 Families.
P	● MICROTEK Inc. http://www.microtek.co.jp/english/
	 Microtek embarked on contract IC programming in 2000. Since then, the company has been building a successful track record in a wide range of fields, including communications, information home appliances and automotive applications, as a reliable provider of IC programming services.

Third-Party Development Support Tools

S : Starter kit	M : Middleware
C : Compiler	V : Verification tool
D : Debugger	F : Flash programmer
I : In-circuit emulator	P : Flash programming service
R : Real-time OS	Di : Distributor

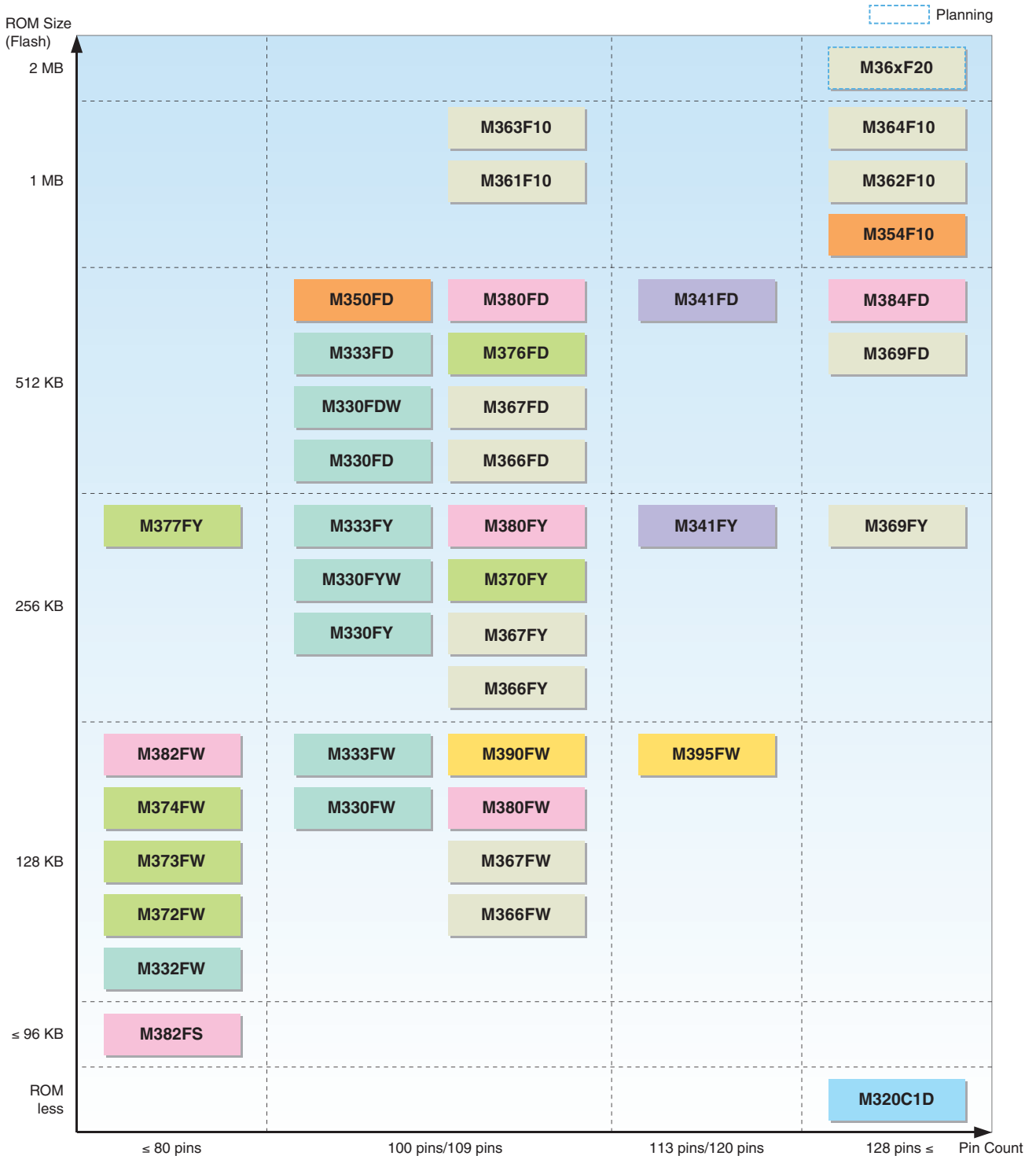
For details, please contact the third-party companies directly. (Listed in alphabetical order)

<p>F</p> <p>P</p>	<p>MINATO ELECTRONICS INC. http://www.minato.co.jp/en/</p> <p> MINATO ELECTRONICS INC. Minato Electronics developed the first “device programmer” in Japan when PROM first came on the market. Since then, the company has been occupying the leading position in the programmer field. Its product line includes not only programmers but also auto programming equipment and exchange adapters for a wide variety of packages to meet various programming needs of customers. Minato’s programmers support the ARM-based TX03 series, as well as the TX19, TLCS-900, and TLCS-870 Families. Programming services using these products are also available.</p>
<p>D</p> <p>I</p> <p>F</p> <p>Di</p>	<p>Sophia Systems Co., Ltd. http://www.sophia-systems.com/</p> <p> Sophia systems Sophia Systems offers development environments for Toshiba’s microcontrollers, such as a starter kit for the TX19A that readily allows software evaluation, a flash programmer for the TX19A and emulators that support microcontrollers with TX19, MeP, Cell Broadband Engine and ARM Cortex cores (M3/A9/R4). Sophia Systems also provides a wide range of solutions using Toshiba’s microcontrollers, including turnkey services for custom boards and systems.</p>
<p>R</p>	<p>TOSHIBA INFORMATION SYSTEMES (JAPAN) CORPORATION http://www.tjsys.co.jp/english/</p> <p>東芝情報システム株式会社 Toshiba Information Systems develops, sells and offers support services for μITRON-compliant real-time operating systems (RTOS). It offers compact UDEOS4/Cortex-M3 (compliant with μITRON 4.0) for the TX03 Series that operates only with on-chip ROM/RAM and UDEOS4/ARM (compliant with μITRON 4.0), an enhanced version, for the TX09 Series.</p>
<p>D</p> <p>I</p> <p>F</p>	<p>Yokogawa Digital Computer Corporation http://www.yokogawa-digital.com/en/</p> <p> YOKOGAWA Yokogawa Digital Computer specializes in embedded solutions and offers an extensive range of products related to the design and development of microcomputer and peripheral systems. Included among its products are the “advice” series of in-circuit emulators, the NET IMPRESS series of flash microcontroller programmers, Windows Embedded CE starter kits and development process improvement tools. Yokogawa provides the ideal development environment by leveraging its experience and expertise.</p>
<p>C</p> <p>D</p> <p>I</p> <p>F</p>	<p>ZLG (GUANGZHOU ZHIYUAN ELECTRONICS CO., LTD) http://www.embedtools.com/</p> <p> 广州致远电子有限公司 Guangzhou Zhiyuan Electronics founded in May 2001 is engaged in design, production, and sales. It is a member of Field-bus DeviceNet ODVA China. The company has departments dedicated to development in specific fields, including the Industrial Communication Network Department, the Building Automation Department, the Measuring Instrument Technology Department, the Embedded System Application Department, the Power Supply Department, the OEM/ODM Product Department, the Computer Software Development Center, and the Industrial Design Center. The Measuring Technology Department focuses on the design and development of measuring and testing instruments and related development tools. It currently offers over ten types of products, including digital oscilloscopes, logic analyzers, protocol analyzers, digital multimeters, signal generators, universal emulators, and data collection cards. The products are widely applied in electronics design, manufacturing, industrial control, network communication, and scientific research. In accordance with its business philosophy, Guangzhou Zhiyuan Electronics emphasizes a faithful, customer-oriented approach. Proud of its tradition of high quality and excellent service, the company is ready to serve every customer in a spirit of wholehearted cooperation.</p>

TX03 Series Product Lineup

Toshiba has been expanding its portfolio of microcontrollers that combine an ARM Cortex™-M3 core, which features high performance, high code density and low power consumption, with a Toshiba-original NANO FLASH™ memory, which features high-speed programming and low power consumption. With Toshiba's wide range of low-cost ARM Cortex™-M3 core-based microcontroller offerings covering 8-bit to 32-bit, you can find the optimum solutions for your applications.

Our product portfolio includes microcontrollers specifically designed for digital TV, digital audio and motor applications, kitchen and home appliances, as well as industrial, office and automotive applications.



Toshiba's ARM Core-Based Microcontroller Lineup

TX03 Family: TX03 Series

Flash Versions

Part Number	ROM (Bytes)	SRAM (Bytes)	Maximum Operating Frequency (MHz)	DMA Controller (Ch)	SSP (Ch)	UART/SIO (Ch)	Full UART (Ch)	I ² C (Ch)	I ² C/SIO (Ch)	CAN (Ch)	USB Host (Full Speed) (Ch)	USB Device (Full Speed) (Ch)	Ether MAC (Ch)	10-Bit AD Converter (Ch)	12-Bit AD Converter (Ch)	10-Bit DA Converter (Ch)	16-Bit Timer/Counter (Ch)	CEC (Ch)	Remote Control Preprocessor (Ch)	Motor Controller (Ch)	Multi-Purpose Timer (MPT) (Ch)	Incremental Encoder Input (Ch)	Op Amp (Ch)	Comparator (Ch)	External Interrupt Pins (Pins)	CS/WAIT Controller (Ch)	RTC (Ch)	Dual Clocks	Trace Function	Oscillation Frequency Detector	Power-On Reset	Voltage Detecting Circuit	I/O Port (Pins)	Power Supply Voltage (V)	Operating Temperature (°C)	Package
TMPM382FSFG **	64K	8K	40	2	1	3			1						10	8		1	(Note 1) 1	1				8	1	Yes	Yes	Yes	Yes	Yes	Yes	48	4.0 to 5.5	-40 to 85	QFP64 (14x14 mm)	
TMPM372FWUG **			(1) 80 (2) 32			4									11	8				1	1			10			Yes	Yes	Yes	Yes	Yes	53	4.5 to 5.5	(1) -40 to 85 (2) -40 to 105	LQFP64 (10x10 mm)	
TMPM373FWUG **			(1) 80 (2) 32			3								7	8				1	1			8			Yes	Yes	Yes	Yes	Yes	37	LQFP48 (7x7 mm)				
TMPM374FWUG			(1) 80 (2) 32			3								6	8				1	1			7			Yes	Yes	Yes	Yes	Yes	33	LQFP44 (10x10 mm)				
TMPM330FWFG			40			3			3					12		10	1	2						8	1	Yes	Yes					78	2.7 to 3.6	-20 to 85	LQFP100 (14x14 mm)	
TMPM332FWUG			40			2			2					8		10	1	1						5	1	Yes	Yes					44			LQFP64 (10x10 mm)	
TMPM333FWFG			40			3			3					12		10								8	1	Yes	Yes					78			LQFP100 (14x14 mm)	
TMPM390FWFG **			20			1	3		1	1				12		10	1	2						8	1	Yes	Yes	Yes	Yes	Yes	Yes	74	1.7 to 3.6			TFBGA120 (6x6 mm)
TMPM395FWAXBG			20			4	3		1	1				12		10	1	2						11	1	Yes	Yes	Yes	Yes	Yes	Yes	91				
TMPM380FWDFG			40	2	2	5			2					18		8			1	(Note 1) 2	3	2		16	1	Yes	Yes	Yes	Yes	Yes	Yes	84	4.0 to 5.5	-40 to 85	QFP100 (14x20 mm)	
TMPM380FWFG			40	2	2	5			2					18		8			1	(Note 1) 2	3	2		16	1	Yes	Yes	Yes	Yes	Yes	Yes	84			LQFP100 (14x14 mm)	
TMPM382FWFG **			40	2	1	3			1					10		8			1	(Note 1) 1	1			8	1	Yes	Yes	Yes	Yes	Yes	Yes	48			QFP64 (14x14 mm)	
TMPM366FWFG **			48	4	3	2	1		2		1			12		10								10	2		Yes						74	(Note 2) 2.7 to 3.6	-40 to 85	LQFP100 (14x14 mm)
TMPM366FWXBG **			48	4	3	2	1		2		1			12		10							10	2		Yes						74	TFBGA109 (9x9 mm)			
TMPM367FWFG **			80	31	3	4	2		3		1			8	2	8			1	(Note 1) 1	4	1		14	4	1	Yes	Yes	Yes	Yes	Yes	Yes	60			LQFP100 (14x14 mm)
TMPM367FWXBG **			80	31	3	4	2		3		1			8	2	8			1	(Note 1) 1	4	1		14	4	1	Yes	Yes	Yes	Yes	Yes	Yes	60	TFBGA109 (9x9 mm)		

Note 1) The motor controller channel is multiplexed with the multi-purpose timer (MPT).

Note 2) 3.0 to 3.6 V when USB is used.

Note 3) 48 MHz when USB is used.

- All products on this page incorporate a watchdog timer, a clock gear and an on-chip debug unit.
- Contact the Toshiba sales representative for information about RoHS compliance before you purchase any components.
- For detailed product specifications, see appropriate datasheets.

** : Under development

Part Number	ROM (Bytes)	SRAM (Bytes)	Maximum Operating Frequency (MHz)	DMA Controller (Ch)	SSP (Ch)	UART/SIO (Ch)	Full UART (Ch)	I ² C (Ch)	I ² C/SIO (Ch)	CAN (Ch)	USB Host (Full Speed) (Ch)	USB Device (Full Speed) (Ch)	Ether MAC (Ch)	10-Bit AD Converter (Ch)	12-Bit AD Converter (Ch)	10-Bit DA Converter (Ch)	16-Bit Timer/Counter (Ch)	CEC (Ch)	Remote Control Preprocessor (Ch)	Motor Controller (Ch)	Multi-Purpose Timer (MPT) (Ch)	Incremental Encoder Input (Ch)	Op Amp (Ch)	Comparator (Ch)	External Interrupt Pins (Pins)	CS/WAIT Controller (Ch)	RTC (Ch)	Dual Clocks	Trace Function	Oscillation Frequency Detector	Power-On Reset	Voltage Detecting Circuit	I/O Port (Pins)	Power Supply Voltage (V)	Operating Temperature (°C)	Package	
TMPM370FYDFG		10K	80		4									22	8					2	2	4	4	16				Yes	Yes	Yes	Yes	76	4.5 to 5.5	-40 to 85	QFP100 (14x20 mm)		
TMPM370FYFG			80		4									22	8					2	2	4	4	16				Yes	Yes	Yes	Yes	76					
TMPM330FYFG			40		3			3						12		10	1	2							8	1	Yes	Yes					78	2.7 to 3.6	-20 to 85	LQFP100 (14x14 mm)	
TMPM330FYWFG			40		3			3						12		10	1	2							8	1	Yes	Yes					78				
TMPM333FYFG			40		3			3						12		10									8	1	Yes	Yes					78				
TMPM377FYDFG **		16K	80		3			1						11	8					2	2				5			Yes	Yes	Yes	Yes	63	4.5 to 5.5	-40 to 85	LQFP80 (14x14 mm)		
TMPM377FYFG **			80		3			1						11	8					2	2				5			Yes	Yes	Yes	Yes	63					
TMPM380FYDFG			40	2	2	5		2						18	8				1	(Note 1) 2	3	2			16	1	Yes	Yes	Yes	Yes	Yes	Yes	84	4.0 to 5.5	-40 to 85	QFP100 (14x20 mm)	
TMPM380FYFG			40	2	2	5		2						18	8				1	(Note 1) 2	3	2			16	1	Yes	Yes	Yes	Yes	Yes	Yes	84				
TMPM341FYXBG **		32K	54	4	1	5		2						15	2	12									12	2		Yes	Yes				86	(Note 4) 1.65 to 3.6	-40 to 85	TFBGA113 (6x6 mm)	
TMPM366FYFG		48K	48	4	3	2	1	2		1				12	10										10	2		Yes					74				
TMPM366FYXBG			48	4	3	2	1	2		1				12	10										10	2		Yes					74				
TMPM367FYFG **		66K	80	31	3	4	2	3		1				8	2	8			1	(Note 1) 1	4	1			14	4	1	Yes	Yes	Yes	Yes	Yes	Yes	60	(Note 2) 2.7 to 3.6	-40 to 85	LQFP100 (14x14 mm)
TMPM367FYXBG **			80	31	3	4	2	3		1				8	2	8			1	(Note 1) 1	4	1			14	4	1	Yes	Yes	Yes	Yes	Yes	60				
TMPM369FYFG **			80	31	3	4	2	3	1	1	1	1		16	2	8			1	(Note 1) 2	4	2			16	4	1	Yes	Yes	Yes	Yes	Yes	102				
TMPM369FYXBG **			80	31	3	4	2	3	1	1	1	1		16	2	8			1	(Note 1) 2	4	2			16	4	1	Yes	Yes	Yes	Yes	Yes	102				
TMPM330FDFG		32K	40		3			3						12		10	1	2							8	1	Yes	Yes					78	-20 to 85			
TMPM330FDWFG			40		3			3						12		10	1	2							8	1	Yes	Yes					78	-40 to 85	LQFP100 (14x14 mm)		
TMPM333FDFG			40		3			3						12		10									8	1	Yes	Yes					78	-20 to 85			
TMPM341FDXBG		512K	54	4	1	5		2						15	2	12									12	2		Yes	Yes				86	(Note 4) 1.65 to 3.6	-40 to 85	TFBGA113 (6x6 mm)	
TMPM376FDFG **			80		4			1						22	8					2	2				16			Yes	Yes	Yes	Yes	Yes	82	4.5 to 5.5	-40 to 85	QFP100 (14x20 mm)	
TMPM376FDFG **			80		4			1						22	8					2	2				16			Yes	Yes	Yes	Yes	Yes	82				
TMPM366FDFG		64K	48	4	3	2	1	2		1				12	10										10	2		Yes					74				
TMPM366FDXBG			48	4	3	2	1	2		1				12	10										10	2		Yes					74				
TMPM367FDFG **		128K	80	31	3	4	2	3		1				8	2	8			1	(Note 1) 1	4	1			14	4	1	Yes	Yes	Yes	Yes	Yes	Yes	60	(Note 2) 2.7 to 3.6	-40 to 85	LQFP100 (14x14 mm)
TMPM367FDXBG **			80	31	3	4	2	3		1				8	2	8			1	(Note 1) 1	4	1			14	4	1	Yes	Yes	Yes	Yes	Yes	60				
TMPM369FDFG **			80	31	3	4	2	3	1	1	1	1		16	2	8			1	(Note 1) 2	4	2			16	4	1	Yes	Yes	Yes	Yes	Yes	102				
TMPM369FDXBG **			80	31	3	4	2	3	1	1	1	1		16	2	8			1	(Note 1) 2	4	2			16	4	1	Yes	Yes	Yes	Yes	Yes	102				

Note 1) The motor controller channel is multiplexed with the multi-purpose timer (MPT).

Note 2) 3.0 to 3.6 V when USB is used.

Note 3) 48 MHz when USB is used.

Note 4) Part of the peripheral blocks (external bus interface and SSP) can continue to operate even when the supply voltage drops below 2.7 V.

- All products on this page incorporate a watchdog timer, a clock gear and an on-chip debug unit.
- Contact the Toshiba sales representative for information about RoHS compliance before you purchase any components.
- For detailed product specifications, see appropriate datasheets.

** : Under development

Toshiba's ARM Core-Based Microcontroller Lineup

TX03 Family: TX03 Series

Flash Versions (Continued)

Part Number	ROM (Bytes)	SRAM (Bytes)	Maximum Operating Frequency (MHz)	DMA Controller (Ch)	SSP (Ch)	UART/SIO (Ch)	Full UART (Ch)	I ² C (Ch)	I ² C/SIO (Ch)	CAN (Ch)	USB Host (Full Speed) (Ch)	USB Device (Full Speed) (Ch)	Ether MAC (Ch)	10-Bit AD Converter (Ch)	12-Bit AD Converter (Ch)	10-Bit DA Converter (Ch)	16-Bit Timer/Counter (Ch)	CEC (Ch)	Remote Control Preprocessor (Ch)	Motor Controller (Ch)	Multi-Purpose Timer (MPT) (Ch)	Incremental Encoder Input (Ch)	Op Amp (Ch)	Comparator (Ch)	External Interrupt Pins (Pins)	CS/WAIT Controller (Ch)	RTC (Ch)	Dual Clocks	Trace Function	Oscillation Frequency Detector	Power-On Reset	Voltage Detecting Circuit	I/O Port (Pins)	Power Supply Voltage (V)	Operating Temperature (°C)	Package		
TMPM380FDFG **	512K	32K	40	2	2	5		2						18			8		1	(Note 1) 2	3	2			16	1	Yes	Yes	Yes	Yes	Yes	84	4.0 to 5.5	-40 to 85	LQFP100 (14x14 mm)			
TMPM384FDFG **			40	2	2	5		2							22			8		1	(Note 1) 2	4	2			16	1	Yes	Yes	Yes	Yes	Yes			84	LQFP144 (20x20 mm)		
TMPM361F10FG	1024K	64K	64	2	1	5	1	3						8			16	1	1						10	4	1	Yes	Yes				76	2.7 to 3.6	-20 to 85	LQFP100 (14x14 mm)		
TMPM362F10FG			64	2	1	12		5							16		16	1	2							16	4	1	Yes	Yes						120	LQFP144 (20x20 mm)	
TMPM363F10FG			(Note 3) 64	2	1	5	1	3	1	1					8			16	1	1						8	4	1	Yes	Yes						74	LQFP100 (14x14 mm)	
TMPM364F10FG			(Note 3) 64	2	1	12		5	1	1					16			16	1	2							14	4	1	Yes	Yes						118	LQFP144 (20x20 mm)
			(Note 3) 64	2	1	12		5	1	1					16			16	1	2							14	4	1	Yes	Yes						118	LQFP144 (20x20 mm)

Note 1) The motor controller channel is multiplexed with the multi-purpose timer (MPT).

Note 2) 3.0 to 3.6 V when USB is used.

Note 3) 48 MHz when USB is used.

- All products on this page incorporate a watchdog timer, a clock gear and an on-chip debug unit.
- Contact the Toshiba sales representative for information about RoHS compliance before you purchase any components.
- For detailed product specifications, see appropriate datasheets.

** : Under development

■ TX03 Family: TX03 Series (for Audio Applications)

■ ROM Less Versions

Part Number	ROM (Bytes)	SRAM (Bytes)	DRAM (Bytes)	Maximum Operating Frequency (MHz)	DMA Controller (Ch)	USB Host (High Speed) (Ch)	SD Host Controller (Ch)	SSP (SPI/MicroWire) (Ch)	UART (Ch)	I ² C (Ch)	10-Bit AD Converter (Ch)	16-Bit Timer/Counter (Ch)	External Interrupt Pins (Pins)	Watchdog Timer	Static Memory Controller (Ch)	On-Chip Debug Unit	Trace Function	I/O Port (Pins)	Power Supply Voltage (V)	Operating Temperature (°C)	Package
TMPM320C1DFG	NA	320K	1024K	144	8	1	1	4	4	2	4	8	4	Yes	2	Yes	Yes	55	(Note 1)	-40 to 85	LQFP144 (20x20 mm)

Note 1) The following three power supplies are available:

- (1) For general port, AD converter: 3.0 V to 3.6 V
- (2) For USB: 3.15 V to 3.45 V
- (3) For internal circuitry: 1.1 V to 1.3 V

- Contact the Toshiba sales representative for information about RoHS compliance before you purchase any components.
- For detailed product specifications, see appropriate datasheets.

■ TX03 Family: TX03 Series (for Automotive Applications)

■ Flash Versions

Part Number	ROM (Bytes)	SRAM (Bytes)	Maximum Operating Frequency (MHz)	CAN (Ch)	DMA Controller (Ch)	SEI (Ch)	UART/SIO (Ch)	12-Bit AD Converter (Ch)	Timer/Compare (32 bit) (Ch)	Timer/Capture (32 bit) (Ch)	PWM (24 bit)	Motor Controller (Ch)	Resolver Digital Converter (RDC)	External Interrupt Pins (Pins)	Watchdog Timer	On-Chip Debug Unit	Trace Function	I/O Port (Pins)	Power Supply Voltage (V)	Operating Temperature (°C)	Package
TMPM350FDTFG **	512K	48K	88	2	32	1	2	20	7	1	6	1	(Note 1) 1	Yes	Yes	Yes	Yes	43	4.5 to 5.5	-40 to 105	LQFP100 (14x14 mm)
TMPM354F10TFG **	1024K	64K	80	3	64	2	3	21	5	2	4	1	(Note 1) 1	Yes	Yes	Yes	Yes	56		-40 to 125	LQFP144 (20x20 mm)

Note 1) The seven capture inputs of the timer can be programmed as external maskable interrupts.

- Contact the Toshiba sales representative for information about RoHS compliance before you purchase any components.
- For detailed product specifications, see appropriate datasheets.

** : Under development

Toshiba America**Electronic Components, Inc.**

- Irvine, Headquarters
Tel: (949)623-2900 Fax: (949)474-1330
- Buffalo Grove (Chicago)
Tel: (847)484-2400 Fax: (847)541-7287
- Duluth/Atlanta
Tel: (770)931-3363 Fax: (770)931-7602
- El Paso
Tel: (915)771-8156
- Marlborough
Tel: (508)481-0034 Fax: (508)481-8828
- Parsippany
Tel: (973)541-4715 Fax: (973)541-4716
- San Jose
Tel: (408)526-2400 Fax: (408)526-2410
- Wixom (Detroit)
Tel: (248)347-2607 Fax: (248)347-2602
- Bloomington
Tel: (952)842-2400 Fax: (952)893-8031
- San Diego
Tel: (858)385-5900 Fax: (858)674-7606

Toshiba Electronics do Brasil Ltda.

- Tel: (011)2539-6681 Fax: (011)2539-6675

Toshiba Electronics Europe GmbH

- Düsseldorf Head Office
Tel: (0211)5296-0 Fax: (0211)5296-400
- France Branch
Tel: (1)47282181
- Italy Branch
Tel: (039)68701 Fax: (039)6870205
- Spain Branch
Tel: (91)660-6798 Fax: (91)660-6799
- U.K. Branch
Tel: (0870)060-2370 Fax: (01252)53-0250
- Sweden Branch
Tel: (08)704-0900 Fax: (08)80-8459

Toshiba Electronics Asia (Singapore) Pte. Ltd.

- Tel: (6278)5252 Fax: (6271)5155

Toshiba Electronics Service (Thailand) Co., Ltd.

- Tel: (02)501-1635 Fax: (02)501-1638

Toshiba Electronics Trading (Malaysia) Sdn. Bhd.

- Kuala Lumpur Head Office
Tel: (03)5631-6311 Fax: (03)5631-6307
- Penang Office
Tel: (04)226-8523 Fax: (04)226-8515

Toshiba India Private Ltd.

- Tel: (0124)499-6600 Fax: (0124)499-6611

Toshiba Electronics Asia, Ltd.

- Hong Kong Head Office
Tel: 2375-6111 Fax: 2375-0969
- Beijing Office
Tel: (010)6590-8796 Fax: (010)6590-8791
- Chengdu Office
Tel: (028)8675-1773 Fax: (028)8675-1065
- Qingdao Office
Tel: (532)8579-3328 Fax: (532)8579-3329

Toshiba Electronics (Shenzhen) Co., Ltd

- Tel: (0755)2399-6897 Fax: (0755)2399-5573

Toshiba Electronics (Shanghai) Co., Ltd.

- Shanghai PUXI Branch
Tel: (021)6139-3888 Fax: (021)6190-8288

- Hangzhou Office
Tel: (0571)8717-5004 Fax: (0571)8717-5013

- Nanjing Office
Tel: (025)8689-0070 Fax: (025)8689-0070

Toshiba Electronics (Dalian) Co., Ltd.

- Tel: (0411)8368-6882 Fax: (0411)8369-5282

Tsurong Xiamen Xiangyu Trading Co., Ltd.

- Tel: (0592)226-1398 Fax: (0592)226-1399

Toshiba Electronics Korea Corporation

- Seoul Head Office
Tel: (02)3484-4334 Fax: (02)3484-4302

- Daegu Office
Tel: (053)428-7610 Fax: (053)428-7617

Toshiba Electronics Taiwan Corporation

- Taipei Head Office
Tel: (02)2508-9988 Fax: (02)2508-9999

▶ Toshiba Corporation, and its subsidiaries and affiliates (collectively "TOSHIBA"), reserve the right to make changes to the information in this document, and related hardware, software and systems (collectively "Product") without notice.

▶ This document and any information herein may not be reproduced without prior written permission from TOSHIBA. Even with TOSHIBA's written permission, reproduction is permissible only if reproduction is without alteration/omission.

▶ Though TOSHIBA works continually to improve Product's quality and reliability, Product can malfunction or fail. Customers are responsible for complying with safety standards and for providing adequate designs and safeguards for their hardware, software and systems which minimize risk and avoid situations in which a malfunction or failure of Product could cause loss of human life, bodily injury or damage to property, including data loss or corruption. Before customers use the Product, create designs including the Product, or incorporate the Product into their own applications, customers must also refer to and comply with (a) the latest versions of all relevant TOSHIBA information, including without limitation, this document, the specifications, the data sheets and application notes for Product and the precautions and conditions set forth in the "TOSHIBA Semiconductor Reliability Handbook" and (b) the instructions for the application with which the Product will be used with or for. Customers are solely responsible for all aspects of their own product design or applications, including but not limited to (a) determining the appropriateness of the use of this Product in such design or applications; (b) evaluating and determining the applicability of any information contained in this document, or in charts, diagrams, programs, algorithms, sample application circuits, or any other referenced documents; and (c) validating all operating parameters for such designs and applications. **TOSHIBA ASSUMES NO LIABILITY FOR CUSTOMERS' PRODUCT DESIGN OR APPLICATIONS.**

▶ Product is intended for use in general electronics applications (e.g., computers, personal equipment, office equipment, measuring equipment, industrial robots and home electronics appliances) or for specific applications as expressly stated in this document. Product is neither intended nor warranted for use in equipment or systems that require extraordinarily high levels of quality and/or reliability and/or a malfunction or failure of which may cause loss of human life, bodily injury, serious property damage or serious public impact ("Unintended Use"). Unintended Use includes, without limitation, equipment used in nuclear facilities, equipment used in the aerospace industry, medical equipment, equipment used for automobiles, trains, ships and other transportation, traffic signaling equipment, equipment used to control combustions or explosions, safety devices, elevators and escalators, devices related to electric power, and equipment used in finance-related fields. Do not use Product for Unintended Use unless specifically permitted in this document.

▶ Do not disassemble, analyze, reverse-engineer, alter, modify, translate or copy Product, whether in whole or in part.

▶ Product shall not be used for or incorporated into any products or systems whose manufacture, use, or sale is prohibited under any applicable laws or regulations.

▶ The information contained herein is presented only as guidance for Product use. No responsibility is assumed by TOSHIBA for any infringement of patents or any other intellectual property rights of third parties that may result from the use of Product. No license to any intellectual property right is granted by this document, whether express or implied, by estoppel or otherwise.

▶ **ABSENT A WRITTEN SIGNED AGREEMENT, EXCEPT AS PROVIDED IN THE RELEVANT TERMS AND CONDITIONS OF SALE FOR PRODUCT, AND TO THE MAXIMUM EXTENT ALLOWABLE BY LAW, TOSHIBA (1) ASSUMES NO LIABILITY WHATSOEVER, INCLUDING WITHOUT LIMITATION, INDIRECT, CONSEQUENTIAL, SPECIAL, OR INCIDENTAL DAMAGES OR LOSS, INCLUDING WITHOUT LIMITATION, LOSS OF PROFITS, LOSS OF OPPORTUNITIES, BUSINESS INTERRUPTION AND LOSS OF DATA, AND (2) DISCLAIMS ANY AND ALL EXPRESS OR IMPLIED WARRANTIES AND CONDITIONS RELATED TO SALE, USE OF PRODUCT, OR INFORMATION, INCLUDING WARRANTIES OR CONDITIONS OF MERCHANTABILITY, FITNESS FOR A PARTICULAR PURPOSE, ACCURACY OF INFORMATION, OR NONINFRINGEMENT.**

▶ Do not use or otherwise make available Product or related software or technology for any military purposes, including without limitation, for the design, development, use, stockpiling or manufacturing of nuclear, chemical, or biological weapons or missile technology products (mass destruction weapons). Product and related software and technology may be controlled under the Japanese Foreign Exchange and Foreign Trade Law and the U.S. Export Administration Regulations. Export and re-export of Product or related software or technology are strictly prohibited except in compliance with all applicable export laws and regulations.

▶ Product may include products subject to foreign exchange and foreign trade control laws.

▶ Please contact your TOSHIBA sales representative for details as to environmental matters such as the RoHS compatibility of Product. Please use Product in compliance with all applicable laws and regulations that regulate the inclusion or use of controlled substances, including without limitation, the EU RoHS Directive. TOSHIBA assumes no liability for damages or losses occurring as a result of noncompliance with applicable laws and regulations.

In addition to the above, the following are applicable only to development tools.

▶ Though TOSHIBA works continually to improve Product's quality and reliability, Product can malfunction or fail. Use the Product in a way which minimizes risk and avoid situations in which a malfunction or failure of Product could cause loss of human life, bodily injury or damage to property, including data loss or corruption. For using the Product, customers must also refer to and comply with the latest versions of all relevant TOSHIBA information, including without limitation, this document, the instruction manual, the specifications, the data sheets for Product.

▶ Product is provided solely for the purpose of performing the functional evaluation of a semiconductor product. Please do not use Product for any other purpose, including without limitation, evaluation in high or low temperature or humidity, and verification of reliability.

▶ Do not incorporate Product into your products or system. Products are for your own use and not for sale, lease or other transfer.

© 2011 TOSHIBA CORPORATION

Previous edition: BCE0088B
2011-9(1k)SO-DO

TOSHIBA

TOSHIBA CORPORATION
Semiconductor & Storage Products Company

Website: <http://www.semicon.toshiba.co.jp/eng>