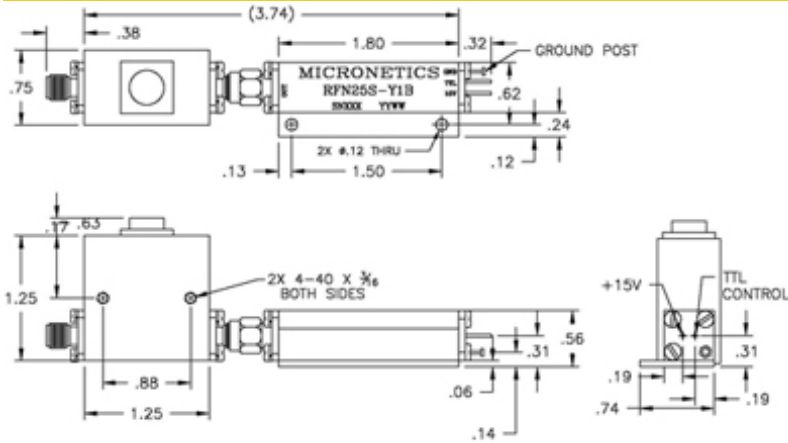


Fullband Microwave Noise Sources

RFN25S

2 GHz to 4 GHz



Specifications

RF Frequency	2 GHz to 4 GHz
Noise Output	30 dB Min ENR
Noise Spectral Density (N_0)	-144 dBm/Hz Min
Peak Factor	5:1
Bias Voltage	28 or 15 V
Supply Current	20 mA Max
Impedance	50 ohms

Package and Connectivity

Construction	Coaxial
--------------	---------

Environmental

Operating Temperature	-55 to 95 °C
Storage Temperature	-65 to 125 °C

Notes

Specifications subject to change without notice

Micronetics, Inc. | Hudson, NH | Tel: 1-603-883-2900 | www.Micronetics.com

MICRONETICS

