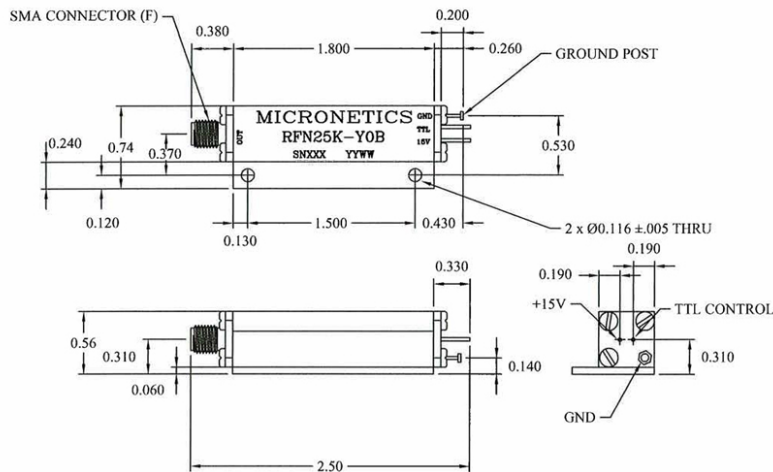


# Fullband Microwave Noise Sources

## RFN25K

### 18 GHz to 26.5 GHz



## Specifications

RF Frequency	18 GHz to 26.5 GHz
Noise Output	25 dB Min ENR
Noise Spectral Density ( $N_0$ )	-149 dBm/Hz Min
Peak Factor	5:1
Bias Voltage	28 or 15 V
Supply Current	20 mA Max
Impedance	50 ohms

## Package and Connectivity

Construction	Coaxial
--------------	---------

## Environmental

Operating Temperature	-55 to 95 °C
Storage Temperature	-65 to 125 °C

## Notes

Specifications subject to change without notice

Micronetics, Inc. | Hudson, NH | Tel: 1-603-883-2900 | [www.Micronetics.com](http://www.Micronetics.com)

# MICRONETICS

