

PLEASE CHECK WWW.MOLEX.COM FOR LATEST PART INFORMATION

Part Number: [0850010282](#)
Status: **Active**
Overview: [din_41612](#)
Description: 2.54mm (.100") Pitch DIN 41612 Header, Style B/2, Right Angle , Through Hole , 1µm (40µ") Selective Gold (Au) , 32 Circuits

Documents:

3D Model	Product Specification PS-85003-0001 (PDF)
Drawing (PDF)	RoHS Certificate of Compliance (PDF)

Agency Certification

CSA	LR19980
UL	E29179

General

Product Family	Backplane Connectors
Series	85001
Application	Daughtercard
Component Type	PCB Header
Overview	din_41612
Product Name	IEC 603-2/DIN 41612
Style	B/2

Physical

Circuits (Loaded)	32
Circuits (maximum)	32
Durability (mating cycles max)	500
Flammability	94V-0
Keying to Mating Part	Yes
Number of Columns	16
Number of Pairs	Open Pin Field
Number of Rows	2
Orientation	Right Angle
PC Tail Length (in)	0.118 In
PC Tail Length (mm)	3.00 mm
PCB Locator	No
PCB Retention	Yes
PCB Thickness Recommended (in)	0.062 In
PCB Thickness Recommended (mm)	1.60 mm
Packaging Type	Bag
Pitch - Mating Interface (in)	0.100 In
Pitch - Mating Interface (mm)	2.54 mm
Pitch - Term. Interface (in)	0.100 In
Pitch - Term. Interface (mm)	2.54 mm
Temperature Range - Operating	-55°C to +125°C
Termination Interface: Style	Through Hole

Electrical

Current - Maximum per Contact	1.5A
Data Rate	622.0 Mbps
Voltage - Maximum	250V AC (RMS)

Material Info

Reference - Drawing Numbers

Product Specification	PS-85003-0001
Sales Drawing	SDA-85001-0002, SDA-85001-0282

EU RoHS

**ELV and RoHS
Compliant**
REACH SVHC
 Not Reviewed
**Halogen-Free
Status**

China RoHS



Not Reviewed

Need more information on product environmental compliance?

Email productcompliance@molex.com
 For a multiple part number RoHS Certificate of Compliance, [click here](#)

Please visit the [Contact Us](#) section for any non-product compliance questions.

Search Parts in this Series

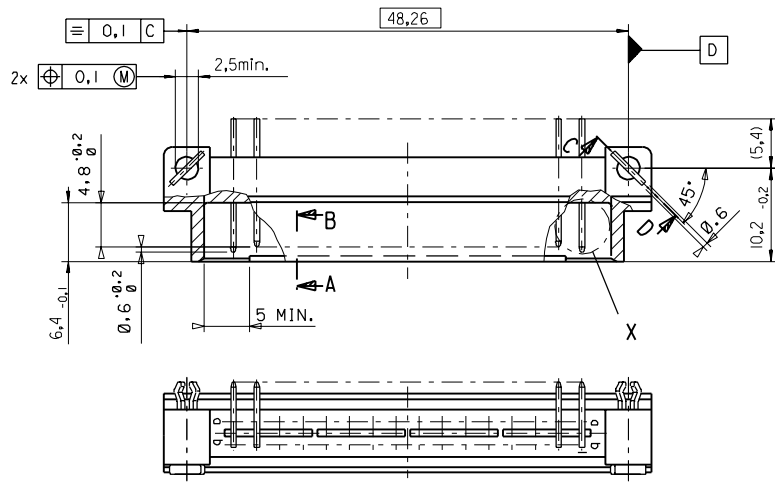
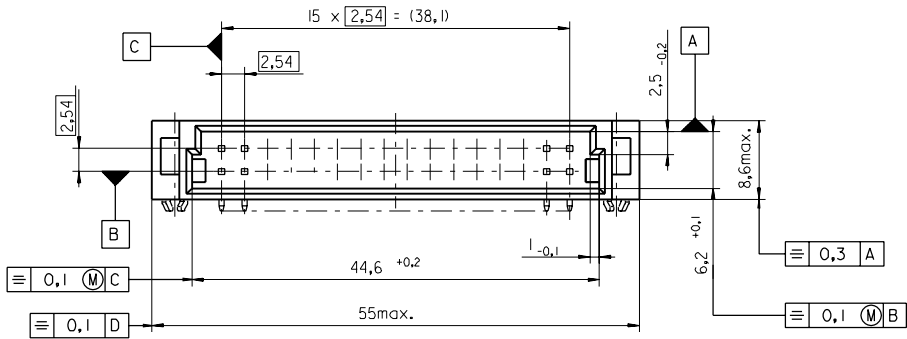
[85001Series](#)

Mates With

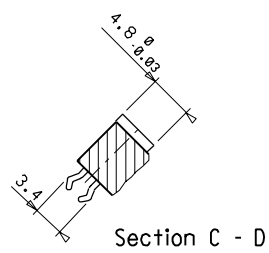
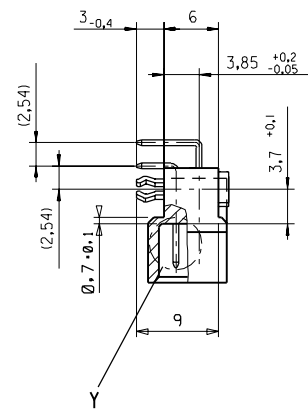
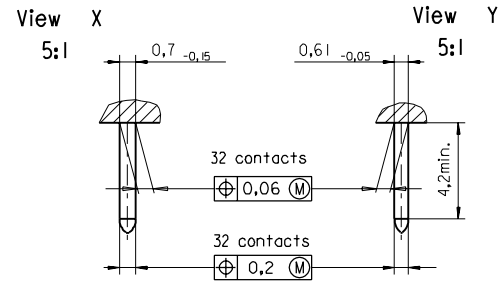
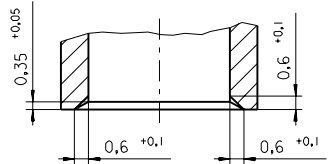
[85040](#) , [85050](#)

This document was generated on 05/17/2010

PLEASE CHECK WWW.MOLEX.COM FOR LATEST PART INFORMATION



Section A - B
5:1



Section C - D

FIRST ANGLE PROJECTION		REVISE ONLY ON CAD SYSTEM		SH.	REV.
first release see ECN No. 1887	REVISIONS FOR PREVIOUS REVISIONS SEE MRI LIST	UNLESS OTHERWISE SPECIFIED TOLERANCES: ANGULAR ± 2°	DRWG BY Ca	CAD/CAM PROJECT NAME 8500000 621	
		INCH METRIC	CHK'D BY KN	THIS DRAWING CONTAINS INFORMATION THAT IS PROPRIETARY TO MOLEX INC. & SHOULD NOT BE USED WITHOUT WRITTEN PERMISSION	
		3 PLACE ± . ±	APP'D BY	TITLE 32 pos. Male connector acc. DIN 41612 style B/2 Dimensions	
		2 PLACE ± . ±	SCALE	SHEET NO. DATE 1 OF 95/06/06	
		1 PLACE ± . ±	2:1	MOLEX MOLEX EUROPE	
		DRAFT WHERE APPLICABLE MUST REMAIN WITHIN DIMENSIONS		PART NO. DWG NO. SIZE SDA-85001-0002 B	
		DESIGN DIMENSION <input checked="" type="checkbox"/> MM			
		EQUIVALENT DIMENSION <input type="checkbox"/> MM			
		IF TWO DIMENSIONS ARE SHOWN THE UPPER IS THE DESIGN DIMENSION, LOWER IS SECONDARY			

VIEW ON MATING SIDE

∞	B	B	B	B	B	B	B	B	B	B	B	B	B	B	B
◁	A	A	A	A	A	A	A	A	A	A	A	A	A	A	A

1 2 3 4 5 6 7 8 9 10 11 12 13 14 15 16 17 18 19 20 21 22 23 24 25 26 27 28 29 30 31 32

A = 16 STANDARD CONTACTS L=3

B = 16 STANDARD CONTACTS L=3

S = 32 TOTAL NUMBER OF CONTACTS

Marking	Standard
Performance level	G1/O = Contact area level / Termination fin
Flux proof	no
Fixing clip	no
Dimensions	SDA-85001-0002 sht.1
Technical Data	PS-85003-0001

B	G1/O	b1-l6			
A	G1/O	a1-l6			
Contact symbol	Perform. level	Contact position number			

C	see ECN No. 2204	96/07/18 Cd
	REVISIONS	
LTR	FOR PREVIOUS REVISIONS SEE MRI LIST	

UNLESS OTHERWISE SPECIFIED TOLERANCES: ANGULAR ± 2°	DRWG BY	SIGN
INCH	Cd	
3 PLACE ± .	CHK'D BY	SIGN
2 PLACE ± .	KN	
1 PLACE ± .	APP'D BY	SIGN
DRAFT WHERE APPLICABLE MUST REMAIN WITHIN DIMENSIONS	SCALE	
DESIGN DIMENSION <input type="checkbox"/> MM <input type="checkbox"/> IN.		
EQUIVALENT DIMENSION <input type="checkbox"/> MM <input type="checkbox"/> IN.		
IF TWO DIMENSIONS ARE SHOWN, THE UPPER IS THE DESIGN DIMENSION, LOWER IS SECONDARY		

REVISE ONLY ON CAD SYSTEM	SH. REV.
CAD/CAM PROJECT NAME s8500102 s81	THIS DRAWING CONTAINS PROPRIETARY TO MOLEX INC. & SHOULD NOT BE USED WITHOUT WRITTEN PERMISSION
TITLE 32 pos. Male connector acc. DIN 41612 style B/2 contacts arrangement	
MOLEX® MOLEX EUROPE	SHEET NO. DATE 1 OF 1 95/05/23
85001-0282	DWG NO. SDA-85001-0282
PART NO.	SIZE A