

PLEASE CHECK WWW.MOLEX.COM FOR LATEST PART INFORMATION

Part Number: **0530470710**
Status: **Active**
Overview: picoblade
Description: 1.25mm (.049") Pitch PicoBlade™ Wire-to-Board Header, Vertical, with Friction Lock, 7 Circuits

Documents:

[3D Model](#) [Product Specification PS-51021-010 \(PDF\)](#)
[Drawing \(PDF\)](#) [RoHS Certificate of Compliance \(PDF\)](#)

General

Product Family PCB Headers
Series 53047
Application Wire-to-Board
Overview picoblade
Product Name PicoBlade™

Physical

Breakaway No
Circuits (Loaded) 7
Circuits (maximum) 7
Durability (mating cycles max) 30
First Mate / Last Break No
Glow-Wire Compliant No
Guide to Mating Part No
Keying to Mating Part None
Lock to Mating Part Yes
Mated Height (in) 0.205 In
Mated Height (mm) 5.20 mm
Material - Plating Mating Tin
Material - Plating Termination Tin
Number of Rows 1
Orientation Vertical
PC Tail Length (in) 0.091 In
PC Tail Length (mm) 2.30 mm
PCB Locator No
PCB Retention None
PCB Thickness Recommended (in) 0.031 In
PCB Thickness Recommended (mm) 0.80 mm
Packaging Type Tray
Pitch - Mating Interface (in) 0.049 In
Pitch - Mating Interface (mm) 1.25 mm
Polarized to PCB No
Shrouded Fully
Stackable No
Surface Mount Compatible (SMC) No
Temperature Range - Operating -40°C to +85°C
Termination Interface: Style Through Hole

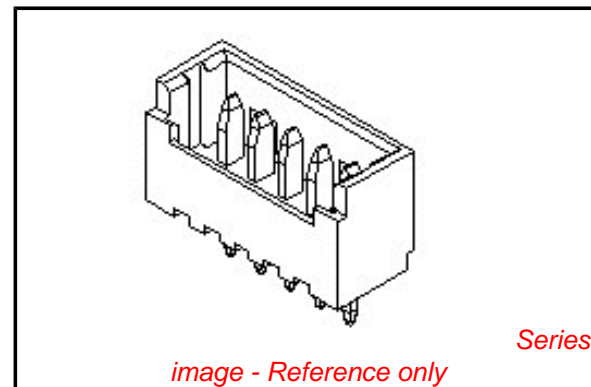
Electrical

Current - Maximum per Contact 1A
Voltage - Maximum 125V

Material Info

Reference - Drawing Numbers

Packaging Specification SPK-53047



EU RoHS

ELV and RoHS Compliant

REACH SVHC

Not Reviewed

Halogen-Free

Status

Not Halogen-Free

Need more information on product environmental compliance?

Email productcompliance@molex.com
For a multiple part number RoHS Certificate of Compliance, [click here](#)

Please visit the [Contact Us](#) section for any non-product compliance questions.

China RoHS



Search Parts in this Series

53047Series

Mates With

51021 PicoBlade™ Wire-to-Wire

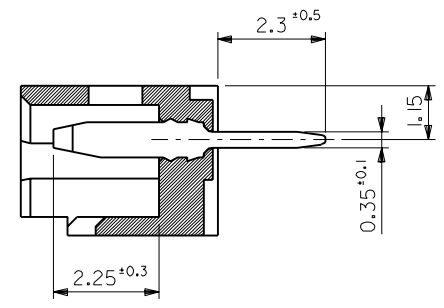
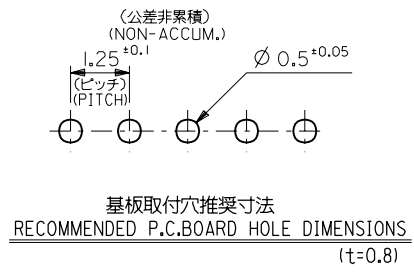
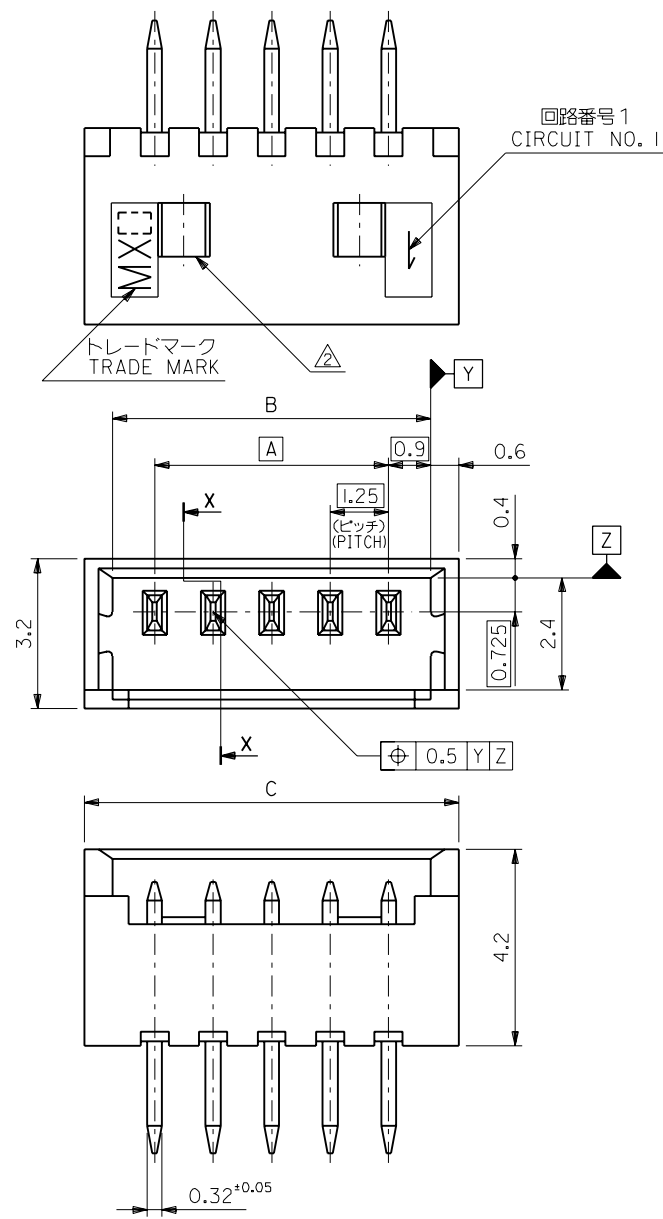
Product Specification

Sales Drawing

PS-51021-010, RPS-51021-007, RPS-51021-011,
RPS-51021-041, RPS-51021-059, RPS-51021-060,
RPS-51021-071, RPS-51021-089
SD-53047-**10

This document was generated on 05/26/2010

PLEASE CHECK WWW.MOLEX.COM FOR LATEST PART INFORMATION



注記
NOTES

- 嵌合相手 : 51021 シリーズ
MATES WITH : 51021 SERIES
- ロック窓は2極と3極は1カ所、4極以上は2カ所とする。
LOCK WINDOW :
ONE PLACE FOR 2 AND 3 CKTS.
TWO PLACES FOR 4 AND MORE THAN 4 CKTS.
- 材料
ウエハー : 66ナイロン、UL94V-0 (カラー : オフホワイト)
ピン : リン青銅、錫メッキ (0.9 μm MIN.)
MATERIAL
WAFER : 66NYLON, UL94V-0 (COLOR : OFF-WHITE)
PIN : PHOSPHOR BRONZE, PRE-TINNED (0.9 μm MIN.)

20.5	19.3	17.5	53047-1510	15
19.25	18.05	16.25	↑ -1410	14
18	16.8	15	-1310	13
16.75	15.55	13.75	-1210	12
15.5	14.3	12.5	-1110	11
14.25	13.05	11.25	-1010	10
13	11.8	10	-0910	9
11.75	10.55	8.75	-0810	8
10.5	9.3	7.5	-0710	7
9.25	8.05	6.25	-0610	6
8	6.8	5	-0510	5
6.75	5.55	3.75	-0410	4
5.5	4.3	2.5	↓ -0310	3
4.25	3.05	1.25	53047-0210	2
C	B	A	ENG. NO.	極数 NO. OF CKTS.

材料 MATERIAL		注記3 参照 SEE NOTE 3		molex MOLEX-JAPAN CO.,LTD. 日本モレックス株式会社	
仕上げ FINISH		— — —		REVISE ONLY ON CAD SYSTEM	
適用電線範囲 WIRE RANGE		— — —		TITLE 名称	
被覆外径 INS. RANGE		— — —		1.25 WIRE TO BOARD CONN. WAFER ASS'Y STRAIGHT	
DRAWN BY '94/11/23 H.HIRAMOTO		CHK'D BY '94/11/24 M.FUKUSHIMA		DWG. NO.	
REVISED AND REWORKED		H.H. M.F. '94/11/23		REV	
REVISION RECORD		DR. DATE		SCALE 10 - 1	
E 変更及び再作図 (J40963)		M.F. '94/11/23		SD-53047-***10	
LTR 変更内容		DR. CHK. DATE		E	
GENERAL TOLERANCES					