

### FEATURES

- +5 V to ±15 V operation
- Unipolar or bipolar operation
- ±0.5 LSB max INL error, ±1 LSB max DNL error
- Settling time: 10 μs max (10 V step)
- Double-buffered inputs
- Simultaneous updating via  $\overline{\text{LDAC}}$
- Asynchronous CLR to zero/mid scale
- Readback
- Operating temperature range: -40°C to +85°C
- iCMOS® process technology

### APPLICATIONS

- Industrial automation
- Closed-loop servo control, process control
- Automotive test and measurement
- Programmable logic controllers

### GENERAL DESCRIPTION

The AD5725 is a quad, 12-bit, parallel input, voltage output digital-to-analog converter that offers guaranteed monotonicity, integral nonlinearity (INL) of ±0.5 LSB maximum and 10 μs maximum settling time.

Output voltage swing is set by two reference inputs,  $V_{\text{REFP}}$  and  $V_{\text{REFN}}$ . By setting the  $V_{\text{REFN}}$  input to 0 V and the  $V_{\text{REFP}}$  to a positive voltage, the DAC provides a unipolar positive output range. A similar configuration with  $V_{\text{REFP}}$  at 0 V and  $V_{\text{REFN}}$  at a negative voltage provides a unipolar negative output range. Bipolar outputs are configured by connecting both  $V_{\text{REFP}}$  and  $V_{\text{REFN}}$  to nonzero voltages. This method of setting output voltage ranges has advantages over the bipolar offsetting methods because it is not dependent on internal and external resistors with different temperature coefficients.

#### iCMOS® Process Technology

For analog systems designers within industrial/instrumentation equipment OEMs who need high performance ICs at higher-voltage levels, iCMOS is a technology platform that enables the development of analog ICs capable of 30 V and operating at ±15 V supplies while allowing dramatic reductions in power consumption and package size, and increased ac and dc performance.

#### Rev. A

Information furnished by Analog Devices is believed to be accurate and reliable. However, no responsibility is assumed by Analog Devices for its use, nor for any infringements of patents or other rights of third parties that may result from its use. Specifications subject to change without notice. No license is granted by implication or otherwise under any patent or patent rights of Analog Devices. Trademarks and registered trademarks are the property of their respective owners.

### FUNCTIONAL BLOCK DIAGRAM

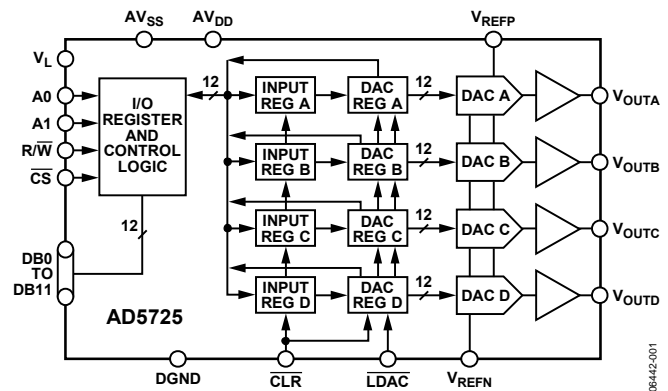


Figure 1.

Digital controls allow the user to load or read back data from any DAC, load any DAC, and transfer data to all DACs at one time.

The AD5725 is available in a 28-lead SSOP package. It can be operated from a wide variety of supply and reference voltages, with supplies ranging from single +5 V to ±15 V, and references from +2.5 V to ±10 V. Power dissipation is less than 270 mW with ±15 V supplies and only 40 mW with a +5 V supply. Operation is specified over the temperature range of -40°C to +85°C.

**TABLE OF CONTENTS**

Features .....	1	Theory of Operation .....	15
Applications.....	1	DAC Architecture.....	15
Functional Block Diagram .....	1	Output Amplifiers .....	15
General Description .....	1	Reference Inputs.....	15
Revision History .....	2	Parallel Interface.....	15
Specifications.....	3	Data Coding.....	15
AC Performance Characteristics .....	5	$\overline{\text{CLR}}$ .....	15
Timing Characteristics .....	6	Power Supplies.....	17
Absolute Maximum Ratings.....	8	Reference Configuration .....	17
ESD Caution.....	8	Single +5 V Supply Operation .....	18
Pin Configuration and Function Descriptions.....	9	Outline Dimensions .....	19
Typical Performance Characteristics .....	10	Ordering Guide .....	19
Terminology .....	14		

**REVISION HISTORY**

<b>12/08—Rev. 0 to Rev. A</b>	
Changes to Figure 26.....	13

**7/07—Revision 0: Initial Version**

## SPECIFICATIONS

$AV_{DD} = +15\text{ V}$ ,  $AV_{SS} = -15\text{ V}$ ,  $DGND = 0\text{ V}$ ;  $V_{REFP} = +10\text{ V}$ ;  $V_{REFN} = -10\text{ V}$ ,  $V_L = 5\text{ V}$ . All specifications  $T_{MIN}$  to  $T_{MAX}$ , unless otherwise noted.<sup>1</sup>

Table 1.

Parameter	Value	Unit	Test Conditions/Comments
<b>ACCURACY</b>			
Resolution	12	Bits	Outputs unloaded
Relative Accuracy (INL)	$\pm 0.5$	LSB max	B grade
	$\pm 1$	LSB max	A grade
Differential Nonlinearity (DNL)	$\pm 1$	LSB max	Guaranteed monotonic
Zero-Scale Error	$\pm 2$	LSB max	$R_L = 2\text{ k}\Omega$
Zero-Scale TC <sup>2</sup>	$\pm 15$	ppm FSR/ $^{\circ}\text{C}$ typ	$R_L = 2\text{ k}\Omega$
Full-Scale Error	$\pm 2$	LSB max	$R_L = 2\text{ k}\Omega$
Full-Scale TC <sup>2</sup>	$\pm 20$	ppm FSR/ $^{\circ}\text{C}$ typ	$R_L = 2\text{ k}\Omega$
<b>REFERENCE INPUT</b>			
$V_{REFP}$			
Reference Input Range <sup>3</sup>	$V_{REFN} + 2.5$ $AV_{DD} - 2.5$	V min V max	
Input Current	$\pm 2.75$	mA max	Typically 1.5 mA
$V_{REFN}$			
Reference Input Range <sup>3</sup>	$-10$ $V_{REFP} - 2.5$	V min V max	
Input Current <sup>2</sup>	2.75	mA max	Typically 2 mA
Large Signal Bandwidth <sup>2</sup>	160	kHz typ	$-3\text{ dB}$ , $V_{REFP} = 0\text{ V}$ to $10\text{ V}$ p-p
<b>OUTPUT CHARACTERISTICS<sup>2</sup></b>			
Output Current	$\pm 5$	mA max	$R_L = 2\text{ k}\Omega$ , $C_L = 100\text{ pF}$
<b>DIGITAL INPUTS</b>			
$V_{IH}$ , Input High Voltage	2.4	V min	$V_L = 2.7\text{ V}$ to $5.5\text{ V}$ , JEDEC compliant
$V_{IL}$ , Input Low Voltage	0.8	V max	$T_A = 25^{\circ}\text{C}$
Input Current <sup>2</sup>	1	$\mu\text{A}$ max	$T_A = 25^{\circ}\text{C}$
Input Capacitance <sup>2</sup>	8	pF typ	
<b>DIGITAL OUTPUTS (SDO)</b>			
$V_{OH}$ , Output High Voltage	4	V min	$I_{OH} = 0.4\text{ mA}$
$V_{OL}$ , Output Low Voltage	0.4	V max	$I_{OL} = -1.6\text{ mA}$
<b>POWER SUPPLY CHARACTERISTICS</b>			
Power Supply Sensitivity <sup>2</sup>	30	ppm FSR/V max	$14.25\text{ V} \leq AV_{DD} \leq 15.75\text{ V}$
$AI_{DD}$	3	mA/channel max	Outputs unloaded, $V_{REFP} = 2.5\text{ V}$ , typically 2.125 mA
$AI_{SS}$	2.5	mA/channel max	Outputs unloaded, typically 1.625 mA
Power Dissipation	270	mW max	

<sup>1</sup> All supplies can be varied  $\pm 5\%$ , and operation is guaranteed. Device is tested with nominal supplies.

<sup>2</sup> Guaranteed by design and characterization, not production tested.

<sup>3</sup> Operation is guaranteed over this reference range, but linearity is neither tested nor guaranteed.

# AD5725

$AV_{DD} = +5\text{ V}$ ,  $AV_{SS} = -5\text{ V}/0\text{ V}$ ,  $DGND = 0\text{ V}$ ;  $V_{REFP} = +2.5\text{ V}$ ;  $V_{REFN} = -2.5\text{ V}/0\text{ V}$ ,  $V_L = 5\text{ V}$ . All specifications  $T_{MIN}$  to  $T_{MAX}$ , unless otherwise noted.

**Table 2.**

Parameter	Value	Unit	Test Conditions/Comments
ACCURACY			Outputs unloaded
Resolution	12	Bits	
Relative Accuracy (INL)	$\pm 0.5$	LSB max	B grade
	$\pm 1$	LSB max	A grade
	$\pm 1$	LSB max	B grade, $AV_{SS} = 0\text{ V}^1$
	$\pm 2$	LSB max	A grade, $AV_{SS} = 0\text{ V}^1$
Differential Nonlinearity (DNL)	$\pm 1$	LSB max	Guaranteed monotonic
Zero-Scale Error	$\pm 5$	LSB max	$AV_{SS} = -5\text{ V}$
	$\pm 10$	LSB max	$AV_{SS} = 0\text{ V}$
Zero-Scale $TC^2$	100	ppm FSR/ $^{\circ}C$ typ	
Full-Scale Error	$\pm 5$	LSB max	$AV_{SS} = -5\text{ V}$
	$\pm 10$	LSB max	$AV_{SS} = 0\text{ V}$
Full-Scale $TC^2$	100	ppm FSR/ $^{\circ}C$ typ	
REFERENCE INPUT			
$V_{REFP}$			
Reference Input Range <sup>3</sup>	$V_{REFN} + 2.5$	V min	
	$AV_{DD} - 2.5$	V max	
Input Current <sup>2</sup>	$\pm 0.5$	mA max	Code 0x0000
$V_{REFN}$			
Reference Input Range <sup>3</sup>	$-2.5$	V min	$AV_{SS} = -5\text{ V}$
	0	V min	$AV_{SS} = 0\text{ V}$
	$V_{REFP} - 2.5$	V max	
Large Signal Bandwidth <sup>2</sup>	450	kHz typ	$-3\text{ dB}$ , $V_{REFP} = 0\text{ V}$ to $2.5\text{ V p-p}$
OUTPUT CHARACTERISTICS <sup>2</sup>			
Output Current	$\pm 1.25$	mA max	$R_L = 2\text{ k}\Omega$ , $C_L = 100\text{ pF}$
DIGITAL INPUTS			$V_L = 2.7\text{ V}$ to $5.5\text{ V}$ , JEDEC compliant
$V_{IH}$ , Input High Voltage	2.4	V min	$T_A = 25^{\circ}C$
$V_{IL}$ , Input Low Voltage	0.8	V max	$T_A = 25^{\circ}C$
Input Current <sup>2</sup>	1	$\mu\text{A}$ max	
Input Capacitance <sup>2</sup>	8	pF typ	
DIGITAL OUTPUTS (SDO)			
$V_{OH}$ , Output High Voltage	4	V min	$I_{OH} = 0.4\text{ mA}$
$V_{OL}$ , Output Low Voltage	0.4	V max	$I_{OL} = -1.6\text{ mA}$
POWER SUPPLY CHARACTERISTICS			
Power Supply Sensitivity <sup>2</sup>	100	ppm FSR/V typ	
$I_{DD}$	2	mA/channel max	Outputs unloaded.
$I_{SS}$	1.5	mA/channel max	Outputs unloaded, $AV_{SS} = -5\text{ V}$
Power Dissipation	70	mW max	$AV_{SS} = -5\text{ V}$
	40	mW max	$AV_{SS} = 0\text{ V}$

<sup>1</sup> For single supply operation only ( $V_{REFN} = 0\text{ V}$ ,  $AV_{SS} = 0\text{ V}$ ): Due to internal offset errors, INL and DNL are measured beginning at code 0x005.

<sup>2</sup> Guaranteed by design and characterization, not production tested.

<sup>3</sup> Operation is guaranteed over this reference range, but linearity is neither tested nor guaranteed.

**AC PERFORMANCE CHARACTERISTICS<sup>1</sup>**

$AV_{DD} = +15\text{ V}/+5\text{ V}$ ,  $AV_{SS} = -15\text{ V}/-5\text{ V}/0\text{ V}$ ,  $DGND = 0\text{ V}$ ;  $V_{REFP} = +10\text{ V}/+2.5\text{ V}$ ;  $V_{REFN} = -10\text{ V}/-2.5\text{ V}/0\text{ V}$ ,  $V_L = 5\text{ V}$ . All specifications  $T_{MIN}$  to  $T_{MAX}$ , unless otherwise noted.

**Table 3.**

Parameter	A Grade	B Grade	Unit	Test Conditions/Comments
DYNAMIC PERFORMANCE				
Output Voltage Settling Time	10	10	$\mu\text{s typ}$	To 0.01%, 10 V step, $R_L = 1\text{ k}\Omega$
	7	7	$\mu\text{s typ}$	To 0.01%, 2.5 V step, $R_L = 1\text{ k}\Omega$
Slew Rate	2.2	2.2	$\text{V}/\mu\text{s typ}$	10% to 90%
Analog Crosstalk	72	72	dB typ	
Digital Feedthrough	5	5	nV-s typ	

<sup>1</sup> Guaranteed by design and characterization, not production tested.

# AD5725

## TIMING CHARACTERISTICS<sup>1, 2</sup>

$AV_{DD} = +5\text{ V}/+15\text{ V}$ ,  $AV_{SS} = -5\text{ V}/0\text{ V}/-15\text{ V}$ ,  $DGND = 0\text{ V}$ ;  $V_{REFP} = +2.5\text{ V}/+10\text{ V}$ ;  $V_{REFN} = -2.5\text{ V}/0\text{ V}/-10\text{ V}$ ,  $V_L = 5\text{ V}$ . All specifications  $T_{MIN}$  to  $T_{MAX}$ , unless otherwise noted.

Table 4.

Parameter	Limit at $T_{MIN}$ , $T_{MAX}$	Unit	Description
$t_{WCS}$	10	ns min	Chip Select Write Pulse Width
$t_{WS}$	0	ns min	Write Setup, $t_{WCS} = 10\text{ ns}$
$t_{WH}$	0	ns min	Write Hold, $t_{WCS} = 10\text{ ns}$
$t_{AS}$	0	ns min	Address Setup
$t_{AH}$	0	ns min	Address Hold
$t_{LS}$	5	ns min	Load Setup
$t_{LH}$	5	ns min	Load Hold
$t_{WDS}$	5	ns min	Write Data Setup, $t_{WCS} = 10\text{ ns}$
$t_{WDH}$	0	ns min	Write Data Hold, $t_{WCS} = 10\text{ ns}$
$t_{LDW}$	10	ns min	Load Data Pulse Width
$t_{RESET}$	10	ns min	Reset Pulse Width
$t_{RCS}$	30	ns min	Chip Select Read Pulse Width
$t_{RDH}$	0	ns min	Read Data Hold, $t_{RCS} = 30\text{ ns}$
$t_{RDS}$	0	ns min	Read Data Setup, $t_{RCS} = 30\text{ ns}$
$t_{DZ}$	15	ns max	Data to High-Z, $C_L = 10\text{ pF}$
$t_{CSD}$	35	ns max	Chip Select to Data, $C_L = 100\text{ pF}$

<sup>1</sup> All input control signals are specified with  $t_r = t_f = 5\text{ ns}$  (10% to 90% of +5 V) and timed from a voltage level of 1.6 V.

<sup>2</sup> Guaranteed by design and characterization, not production tested.

Timing Diagrams

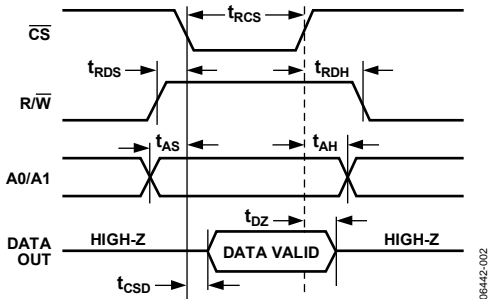


Figure 2. Data Read Timing

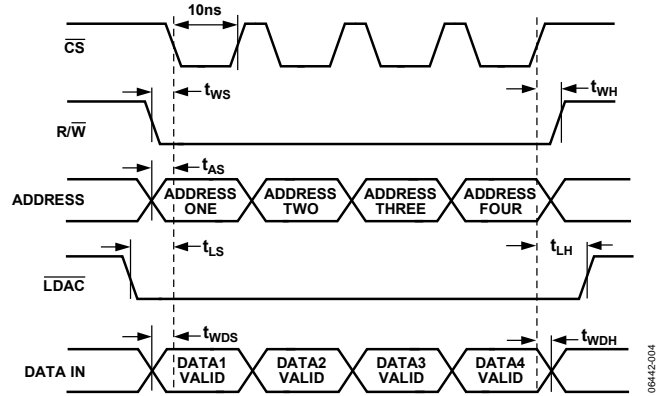


Figure 4. Single Buffer Mode Timing

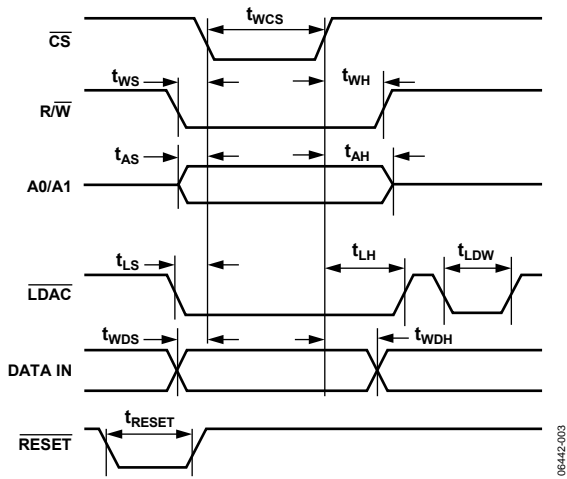


Figure 3. Data Write Timing

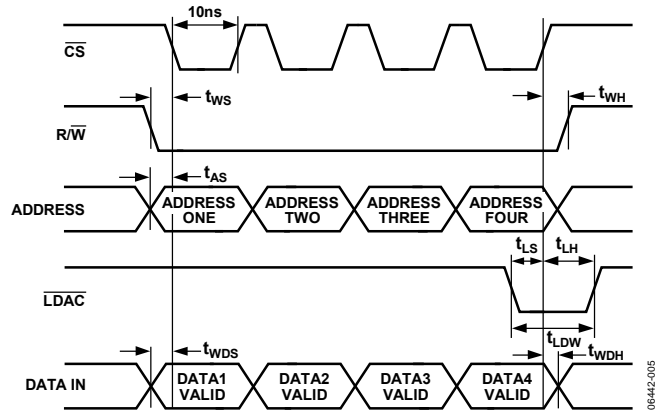


Figure 5. Double Buffer Mode Timing

## ABSOLUTE MAXIMUM RATINGS

$T_A = 25^\circ\text{C}$  unless otherwise noted. Transient currents of up to 100 mA do not cause SCR latch-up.

Table 5.

Parameter	Rating
$AV_{SS}$ to DGND	+0.3 V to -16.5 V
$AV_{DD}$ to DGND	-0.3 V to +16.5 V
$AV_{SS}$ to $AV_{DD}$	+0.3 V to -33 V
$V_L$ to DGND	-0.3 V to +7 V
Current into Any Pin	$\pm 15$ mA
Digital Pin Voltage to DGND	-0.3 V to +7 V
Operating Temperature Range	
Industrial	-40°C to +85°C
Storage Temperature Range	-65°C to +150°C
Junction Temperature ( $T_J$ max)	105°C
28-Lead SSOP Package	
$\theta_{JA}$ Thermal Impedance	100°C/W
$\theta_{JC}$ Thermal Impedance	39°C/W
Power Dissipation Package (Derate 10 mW/°C Above 70°C)	900 mW
Reflow Soldering	
Time at Peak Temperature	10 sec to 40 sec
Lead Temperature (Soldering, 60 sec)	300°C

Stresses above those listed under Absolute Maximum Ratings may cause permanent damage to the device. This is a stress rating only; functional operation of the device at these or any other conditions above those listed in the operational sections of this specification is not implied. Exposure to absolute maximum rating conditions for extended periods may affect device reliability.

### ESD CAUTION



**ESD (electrostatic discharge) sensitive device.** Charged devices and circuit boards can discharge without detection. Although this product features patented or proprietary protection circuitry, damage may occur on devices subjected to high energy ESD. Therefore, proper ESD precautions should be taken to avoid performance degradation or loss of functionality.



## PIN CONFIGURATION AND FUNCTION DESCRIPTIONS

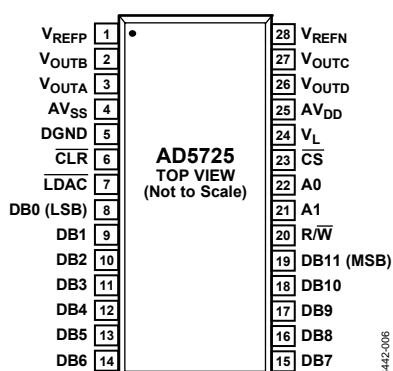


Figure 6. Pin Configuration Diagram

Table 6. Pin Function Descriptions

Pin No.	Mnemonic	Description
1	V <sub>REFP</sub>	Positive DAC Reference Input. The voltage applied to this pin defines the full-scale output voltage. Allowable range is AV <sub>DD</sub> – 2.5 V to V <sub>REFN</sub> + 2.5 V.
2	V <sub>OUTB</sub>	Buffered Analog Output Voltage of DAC B.
3	V <sub>OUTA</sub>	Buffered Analog Output Voltage of DAC A.
4	AV <sub>SS</sub>	Negative Analog Supply Pin. Voltage ranges from 0 V to –15 V.
5	DGND	Digital Ground Pin.
6	CLR	Active Low Input. Sets input registers and DAC registers to zero scale (0x000) for the AD5725-1 or midscale (0x800) for the AD5725.
7	LDAC	Active Low Load DAC Input.
8	DB0	Data Bit 0 (LSB).
9	DB1	Data Bit 1.
10	DB2	Data Bit 2.
11	DB3	Data Bit 3.
12	DB4	Data Bit 4.
13	DB5	Data Bit 5.
14	DB6	Data Bit 6.
15	DB7	Data Bit 7.
16	DB8	Data Bit 8.
17	DB9	Data Bit 9.
18	DB10	Data Bit 10.
19	DB11	Data Bit 11 (MSB).
20	R/ $\overline{W}$	Read/Write Pin. Active low to write data to DAC; Active high to read back previous data at data bit pins with V <sub>L</sub> connected to +5 V.
21	A1	Address Bit 1.
22	A0	Address Bit 0.
23	$\overline{CS}$	Active Low Chip Select Pin.
24	V <sub>L</sub>	Voltage Supply for Readback Function. Can be left open circuit if not used.
25	AV <sub>DD</sub>	Positive Analog Supply Pin. Voltage ranges from +5 V to +15 V.
26	V <sub>OUTD</sub>	Buffered Analog Output Voltage of DAC D.
27	V <sub>OUTC</sub>	Buffered Analog Output Voltage of DAC C.
28	V <sub>REFN</sub>	Negative DAC Reference Input. The voltage applied to this pin defines the zero-scale output voltage. Allowable range is AV <sub>SS</sub> to V <sub>REFP</sub> – 2.5 V.

TYPICAL PERFORMANCE CHARACTERISTICS

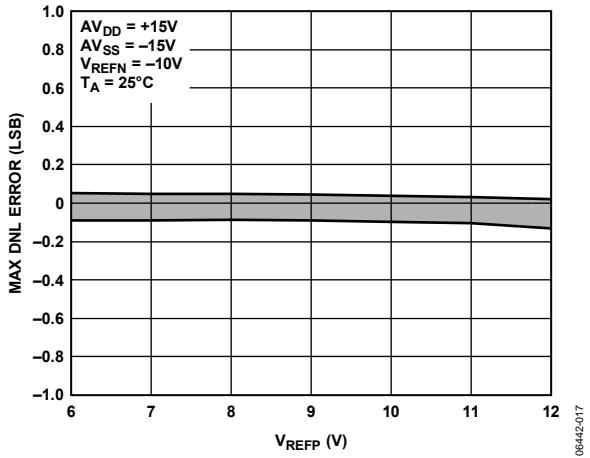


Figure 7. DNL vs.  $V_{REFP}$  ( $V_{SUPPLY} = \pm 15 V$ )

06442-017

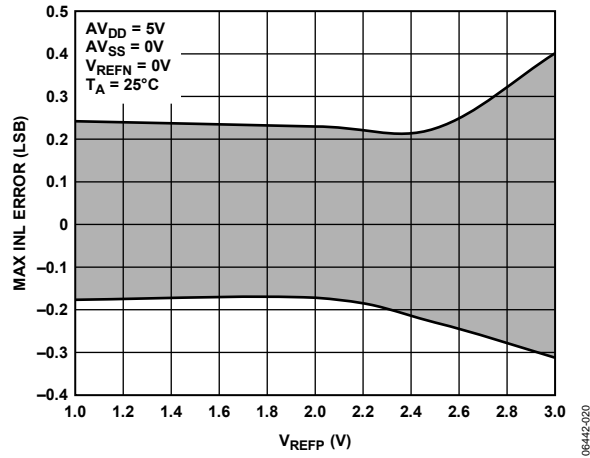


Figure 10. INL vs.  $V_{REFP}$  ( $V_{SUPPLY} = +5 V$ )

06442-020

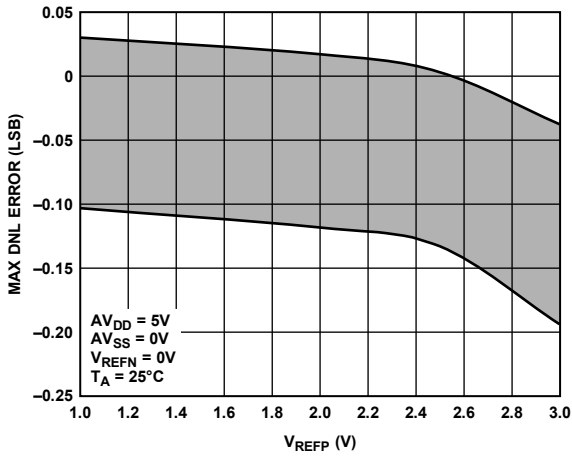


Figure 8. DNL vs.  $V_{REFP}$  ( $V_{SUPPLY} = +5 V$ )

06442-018

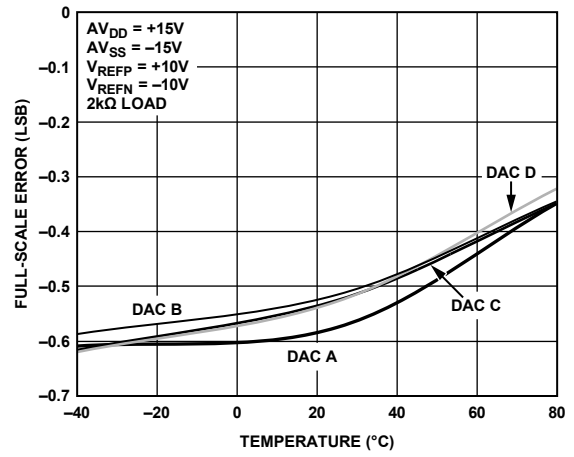


Figure 11. Full-Scale Error vs. Temperature

06442-023

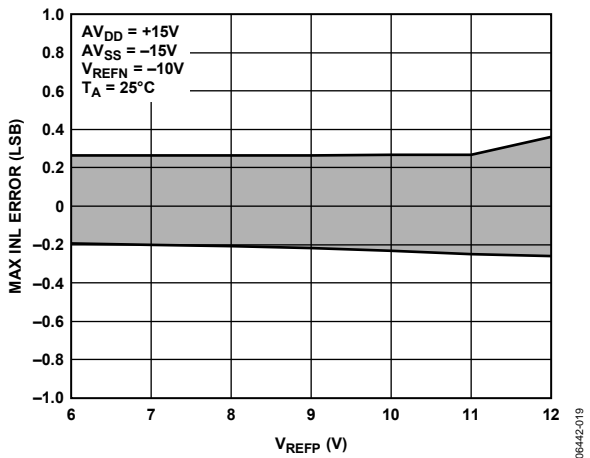


Figure 9. INL vs.  $V_{REFP}$  ( $V_{SUPPLY} = \pm 15 V$ )

06442-019

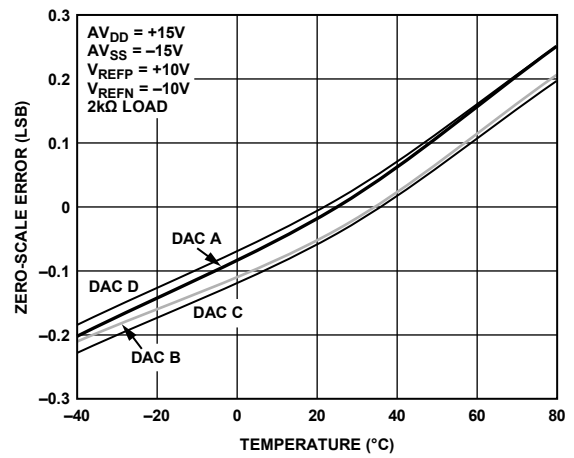


Figure 12. Zero-Scale Error vs. Temperature

06442-024

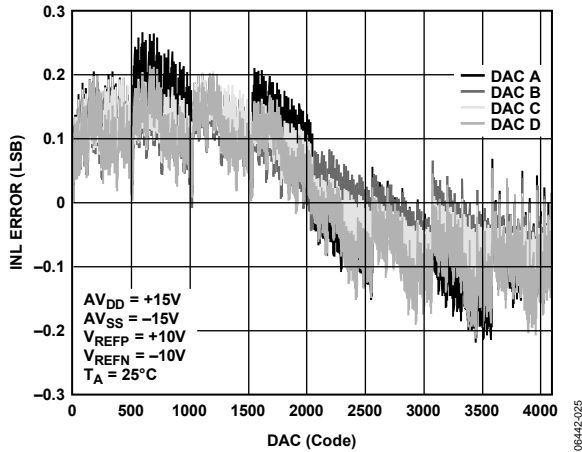


Figure 13. Channel-to-Channel Matching ( $V_{SUPPLY} = \pm 15 V$ )

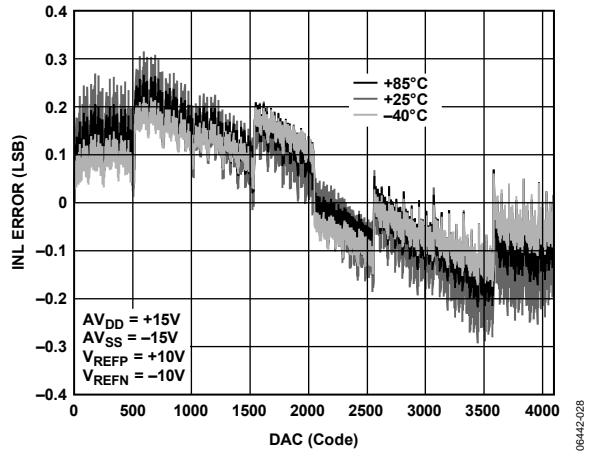


Figure 16. INL vs. DAC Code

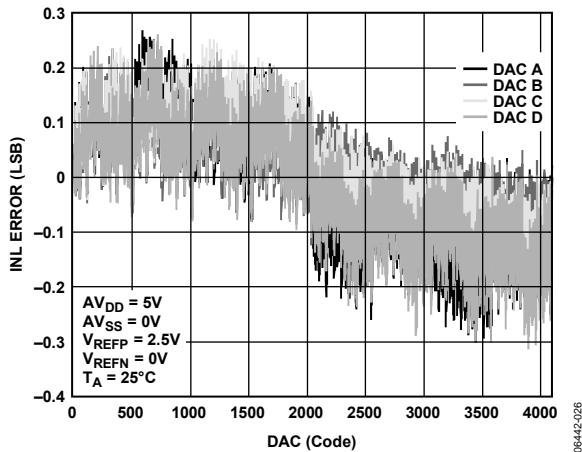


Figure 14. Channel-to-Channel Matching ( $V_{SUPPLY} = +5 V$ )

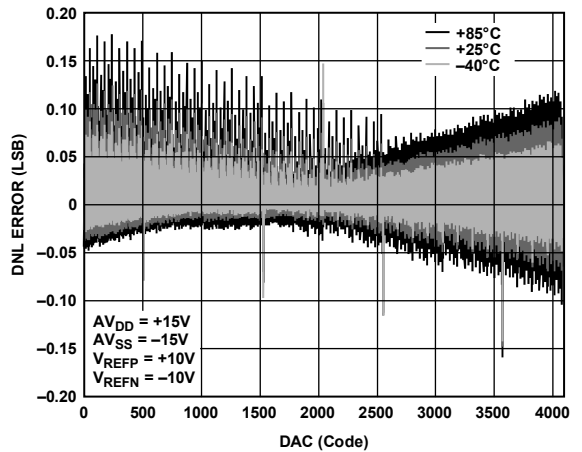


Figure 17. DNL vs. DAC Code

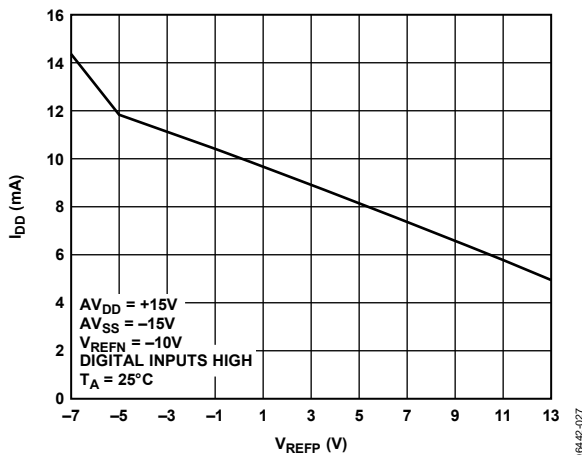


Figure 15.  $I_{DD}$  vs.  $V_{REFP}$

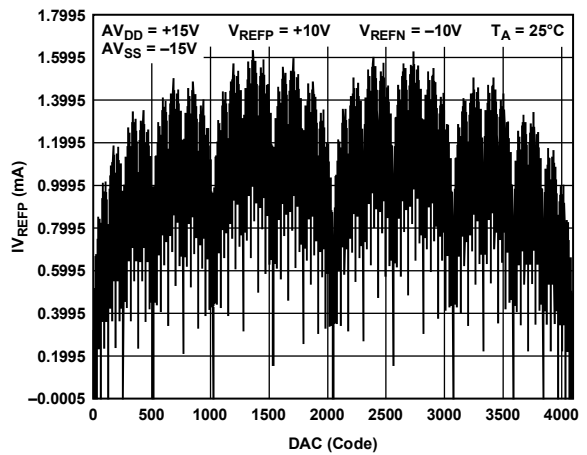


Figure 18.  $I_{VREFP}$  vs. DAC Code

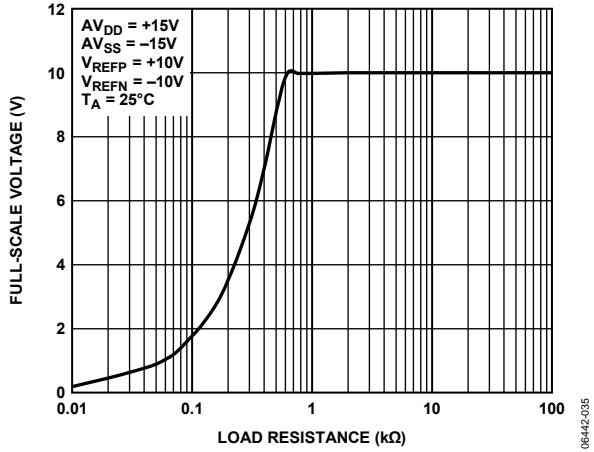


Figure 19. Output Voltage Swing vs. Resistive Load

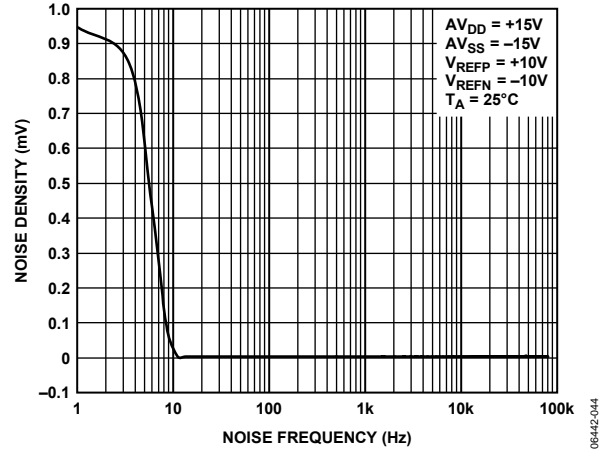


Figure 22. Output Noise Spectral Density vs. Frequency

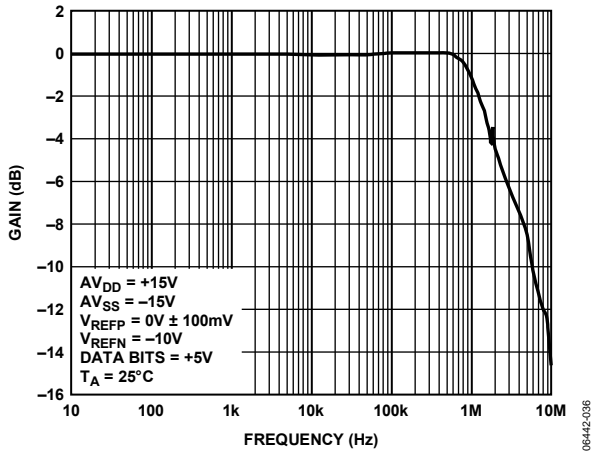


Figure 20. Small Signal Response

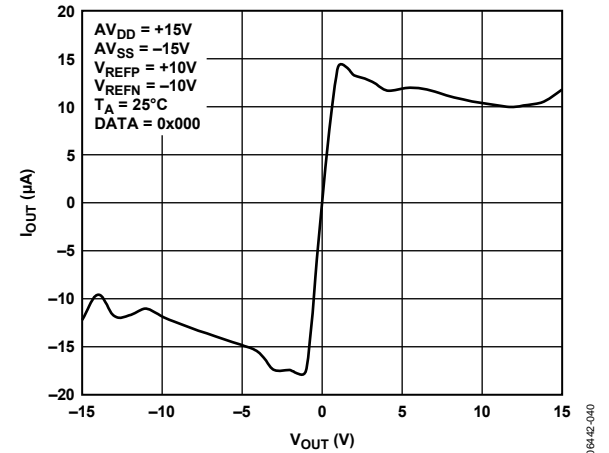


Figure 23.  $I_{OUT}$  vs.  $V_{OUT}$  ( $V_{SUPPLY} = \pm 15 V$ )

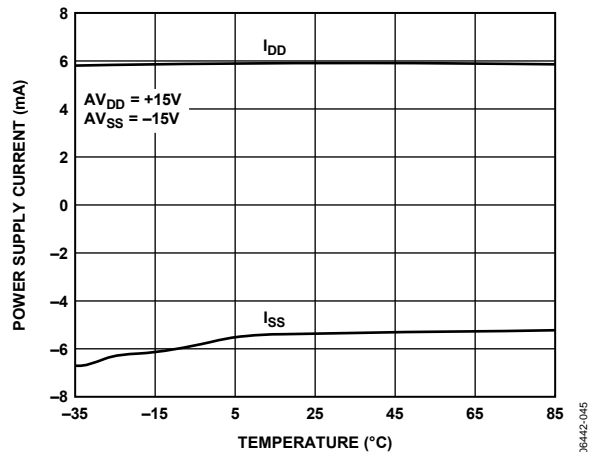


Figure 21. Power Supply Current vs. Temperature

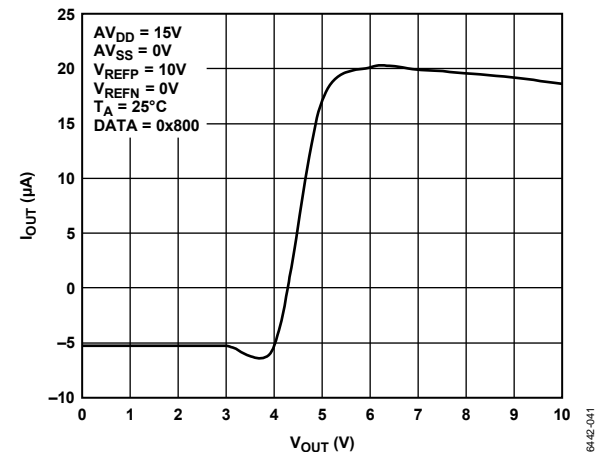


Figure 24.  $I_{OUT}$  vs.  $V_{OUT}$  ( $V_{SUPPLY} = +15 V$ )

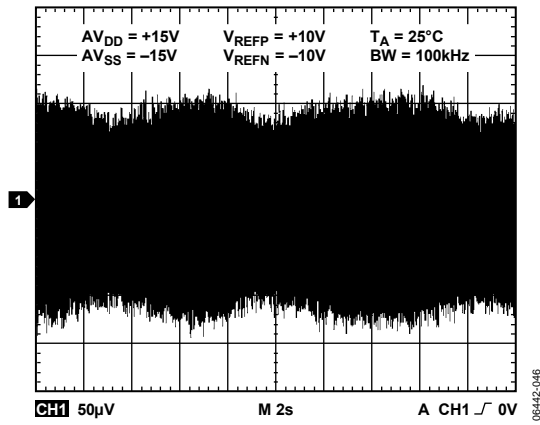


Figure 25. Broadband Noise

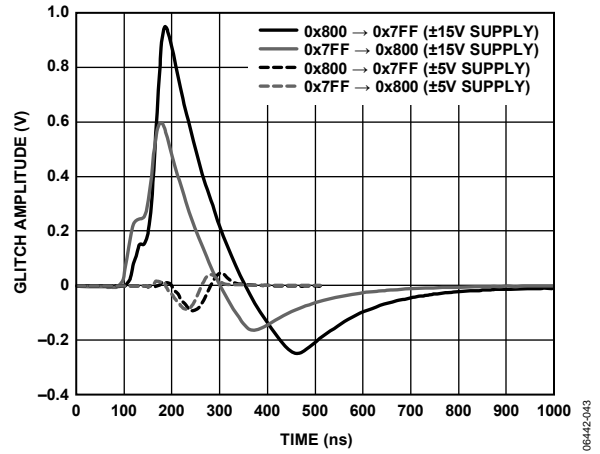


Figure 26. Output Glitch

## TERMINOLOGY

### Relative Accuracy or Integral Nonlinearity (INL)

For the DAC, relative accuracy or integral nonlinearity is a measure of the maximum deviation, in LSBs, from a straight line passing through the endpoints of the DAC transfer function. A typical INL vs. code plot can be seen in Figure 16.

### Differential Nonlinearity (DNL)

Differential nonlinearity is the difference between the measured change and the ideal 1 LSB change between any two adjacent codes. A specified differential nonlinearity of  $\pm 1$  LSB maximum ensures monotonicity. This DAC is guaranteed monotonic by design. A typical DNL vs. code plot can be seen in Figure 17.

### Monotonicity

A DAC is monotonic if the output either increases or remains constant for increasing digital input code. The AD5725 is monotonic over its full operating temperature range.

### Full-Scale Error

Full-scale error is a measure of the output error when full-scale code is loaded to the DAC register. Ideally, the output should be  $V_{\text{REFP}} - 1$  LSB. Full-scale error is expressed in LSBs. A plot of full-scale error vs. temperature can be seen in Figure 11.

### Full-Scale Error TC

Full-scale error TC is a measure of the change in full-scale error with a change in temperature. Full-scale error TC is expressed in ppm FSR/ $^{\circ}\text{C}$ .

### Zero-Scale Error

Zero-scale error is the error in the DAC output voltage when 0x0000 (straight binary coding) is loaded to the DAC register. Ideally, the output voltage should be  $V_{\text{REFN}}$ . A plot of zero-scale error vs. temperature can be seen in Figure 12.

### Zero-Scale Error TC

Zero-scale error TC is a measure of the change in zero-scale error with a change in temperature. Zero-scale error TC is expressed in ppm FSR/ $^{\circ}\text{C}$ .

### Output Voltage Settling Time

Output voltage settling time is the amount of time it takes for the output to settle to a specified level for a full-scale input change.

### Slew Rate

The slew rate of a device is a limitation in the rate of change of the output voltage. The output slewing speed of a voltage-output DAC is usually limited by the slew rate of the amplifier used at its output. Slew rate is measured from 10% to 90% of the output signal and is given in V/ $\mu\text{s}$ .

### Digital Feedthrough

Digital feedthrough is a measure of the impulse injected into the analog output of the DAC from the digital inputs of the DAC, but it is measured when the DAC output is not updated. It is specified in nV-sec and measured with a full-scale code change on the data bus.

### Power Supply Sensitivity

Power supply sensitivity indicates how the output of the DAC is affected by changes in the power supply voltage.

### Analog Crosstalk

Analog crosstalk is the dc change in the output level of one DAC in response to a change in the output of another DAC. It is measured with a full-scale output change on one DAC while monitoring another DAC. It is expressed in dB.

## THEORY OF OPERATION

The AD5725 is a quad voltage output, 12-bit parallel input DAC featuring a 12-bit data bus with readback capability. The AD5725 operates from single or dual supplies ranging from +5 V up to ±15 V. The output voltage range is set by the reference voltages applied at the  $V_{REFP}$  and  $V_{REFN}$  pins.

### DAC ARCHITECTURE

Each of the four DACs is a voltage switched, high impedance (50 k $\Omega$ ), R-2R ladder configuration. Each 2R resistor is driven by a pair of switches that connect the resistor to either  $V_{REFH}$  or  $V_{REFL}$ .

### OUTPUT AMPLIFIERS

The output amplifiers are capable of generating both unipolar and bipolar output voltages. They are capable of driving a load of 2 k $\Omega$  in parallel with 500 pF to DGND. The source and sink capabilities of the output amplifiers can be seen in Figure 23 and Figure 24. The slew rate is 2.2 V/ $\mu$ s with a full-scale settling time of 10  $\mu$ s. The amplifiers are short-circuit protected.

Careful attention to grounding is important for accurate operation of the AD5725. With four outputs and two references there is potential for ground loops. Since the AD5725 has no analog ground, the ground must be specified with respect to the reference.

### REFERENCE INPUTS

All four DACs share common positive reference ( $V_{REFP}$ ) and negative reference ( $V_{REFN}$ ) inputs. The voltages applied to these reference inputs set the output high and low voltage limits on all four of the DACs. Each reference input has voltage restrictions with respect to the other reference and to the power supplies.  $V_{REFN}$  can be any voltage between  $AV_{SS}$  and  $V_{REFP} - 2.5$  V and  $V_{REFP}$  can be any value between  $AV_{DD} - 2.5$  V and  $V_{REFN} + 2.5$  V. Note that because of these restrictions, the AD5725 references cannot be inverted ( $V_{REFN}$  cannot be greater than  $V_{REFP}$ ).

It is important to note that the AD5725  $V_{REFP}$  input both sinks and sources current. Also, the input current of both  $V_{REFP}$  and  $V_{REFN}$  are code dependent. Many references have limited current sinking capability and must be buffered with an amplifier to drive  $V_{REFP}$ . The  $V_{REFN}$  reference input has no such special requirements.

It is recommended that the reference inputs be bypassed with 0.2  $\mu$ F capacitors when operating with ±10 V references. This limits the reference bandwidth.

### PARALLEL INTERFACE

See Table 7 for the digital control logic truth table. The parallel interface consists of a 12-bit bidirectional data bus, two register select inputs,  $A0$  and  $A1$ , a  $R/\overline{W}$  input, a chip select ( $\overline{CS}$ ), and a load DAC ( $\overline{LDAC}$ ) input. Control of the DACs and bus direction is determined by these inputs as shown in Table 7. Digital data bits are labeled with the MSB defined as Data Bit 11 and the LSB as Data Bit 0. All digital pins are TTL/CMOS compatible.

The register select inputs  $A0$  and  $A1$  select individual DAC Register A (Binary Code 00) through Register D (Binary Code 11). Decoding of the registers is enabled by the  $\overline{CS}$  input. When  $\overline{CS}$  is high, no decoding takes place, and neither the writing nor the reading of the input registers is enabled. The loading of the second bank of registers is controlled by the asynchronous  $\overline{LDAC}$  input. By taking  $\overline{LDAC}$  low while  $\overline{CS}$  is high, all output registers can be updated simultaneously. Note that the  $t_{LDW}$  required pulse width for updating all DACs is a minimum of 10 ns. The  $R/\overline{W}$  input, when enabled by  $\overline{CS}$ , controls the writing to and reading from the input register.

### DATA CODING

The AD5725 uses binary coding. The output voltage can be calculated as follows:

$$V_{OUT} = V_{REFN} + \frac{(V_{REFP} - V_{REFN}) \times D}{4096}$$

where  $D$  is the digital code in decimal.

### $\overline{CLR}$

The  $\overline{CLR}$  function can be used either at power-up or at any time during the DACs operation. The  $\overline{CLR}$  function is independent of  $\overline{CS}$ . This pin is active low and sets the DAC registers to either midscale code (0x800) for the AD5725 or zero code (0x000) for the AD5725-1. The  $\overline{CLR}$  to midscale code is most useful when the DAC is configured for bipolar references and an output of 0 V is desired.

# AD5725

Table 7. AD5725 Logic Truth Table

A1	A0	R/W	CS	CLR	LDAC	INPUT REG	DAC REG	MODE	DAC
Low	Low	Low	Low	High	Low	Write	Write	Transparent	A
Low	High	Low	Low	High	Low	Write	Write	Transparent	B
High	Low	Low	Low	High	Low	Write	Write	Transparent	C
High	High	Low	Low	High	Low	Write	Write	Transparent	D
Low	Low	Low	Low	High	High	Write	Hold	Write Input	A
Low	High	Low	Low	High	High	Write	Hold	Write Input	B
High	Low	Low	Low	High	High	Write	Hold	Write Input	C
High	High	Low	Low	High	High	Write	Hold	Write Input	D
Low	Low	High	Low	High	High	Read	Hold	Read Input	A
Low	High	High	Low	High	High	Read	Hold	Read Input	B
High	Low	High	Low	High	High	Read	Hold	Read Input	C
High	High	High	Low	High	High	Read	Hold	Read Input	D
X	X	X	High	High	Low	Hold	Update all DAC registers		All
X	X	X	High	High	High	Hold	Hold	Hold	All
X	X	X	X	Low	X	All Registers set to mid/zero scale			All
X	X	X	High	↓	X	All Registers latched to mid/zero scale			All



**POWER SUPPLIES**

Power supplies required are  $AV_{SS}$ ,  $AV_{DD}$ , and  $V_L$ . The  $AV_{SS}$  supply can be set between  $-15\text{ V}$  and  $0\text{ V}$ .  $AV_{DD}$  is the positive supply; its operating range is between  $+5\text{ V}$  and  $+15\text{ V}$ .

$V_L$  is the digital output supply voltage for the readback function. It is normally connected to  $+5\text{ V}$ . This pin is a logic reference input only. It does not supply current to the device. If the readback function is not used,  $V_L$  can be left open-circuit. While  $V_L$  does not supply current to the AD5725, it does supply current to the digital outputs when the readback function is used.

**REFERENCE CONFIGURATION**

Output voltage ranges can be configured as either unipolar or bipolar, and within these choices, a wide variety of options exists. The unipolar configuration can be either a positive or a negative voltage output, and the bipolar configuration can be either symmetrical or nonsymmetrical.

Figure 28 (Symmetrical Bipolar Operation) shows the AD5725 configured for  $\pm 10\text{ V}$  operation. See the AD688 data sheet for a full explanation of reference operation. Adjustments may not be required for many applications since the AD688 is a very high accuracy reference. However, if additional adjustments are required, adjust the AD5725 full scale first. Begin by loading the digital full-scale code (0xFFF). Then, adjust the gain adjust potentiometer to attain a DAC output voltage of  $9.9976\text{ V}$ . Then, adjust the balance adjust to set the mid-scale output voltage to  $0.000\text{ V}$ .

The  $0.2\ \mu\text{F}$  bypass capacitors shown at the reference inputs in Figure 28 should be used whenever  $\pm 10\text{ V}$  references are used. Applications with single references or references to  $\pm 5\text{ V}$  may not require the  $0.2\ \mu\text{F}$  bypassing. The  $6.2\ \Omega$  resistor in series with the output of the reference amplifier is to keep the amplifier from oscillating with the capacitive load. We have found that this is large enough to stabilize this circuit. Larger resistor values are acceptable, provided that the drop across the resistor does not exceed a  $V_{BE}$ . Assuming a minimum  $V_{BE}$  of  $0.6\text{ V}$  and a maximum current of  $2.75\text{ mA}$ , the resistor should be under  $200\ \Omega$  for the loading of a single AD5725.

Using two separate references is not recommended. Having two references can cause different drifts with time and temperature, whereas with a single reference, most drifts will track.

Unipolar positive full-scale operation can usually be set with a reference with the correct output voltage. This is preferable to using a reference and dividing down to the required value. For a  $10\text{ V}$  full-scale output, the circuit can be configured as shown in Figure 29. In this configuration, the full-scale value is set first by adjusting the  $10\text{ k}\Omega$  resistor for a full-scale output of  $9.9976\text{ V}$ .

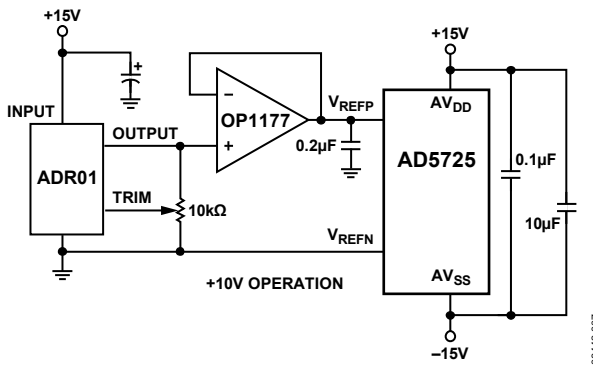


Figure 27. Unipolar +10 V Operation

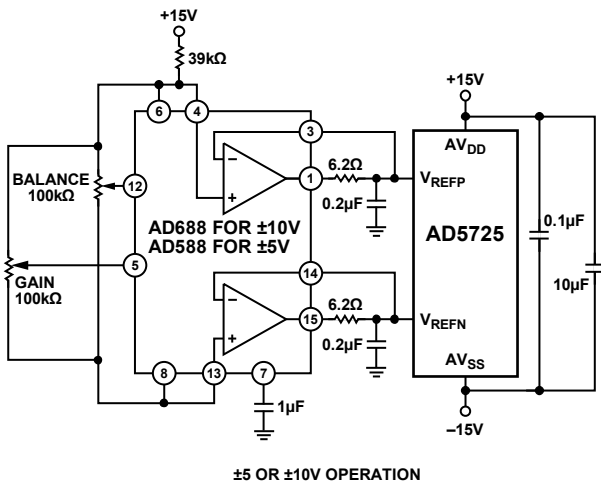


Figure 28. Symmetrical Bipolar Operation

# AD5725

Figure 29 shows the AD5725 configured for  $-10\text{ V}$  to  $0\text{ V}$  operation. An **ADR01** and **OP1177** are configured to produce a  $-10\text{ V}$  output, which is connected directly to  $V_{REFP}$  for the reference voltage.

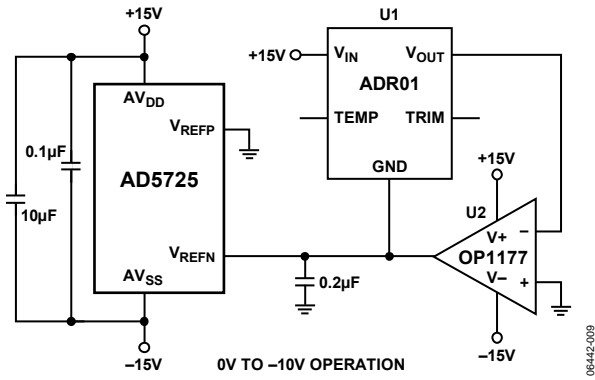


Figure 29. Unipolar  $-10\text{ V}$  Operation

## SINGLE $+5\text{ V}$ SUPPLY OPERATION

For operation with a  $+5\text{ V}$  supply, the reference voltage should be set between  $+1.0\text{ V}$  and  $+2.5\text{ V}$  for optimum linearity. Figure 30 shows an **ADR03** used to supply a  $+2.5\text{ V}$  reference voltage. The headroom of the reference and DAC are both sufficient to support a  $+5\text{ V}$  supply with  $\pm 5\%$  tolerance.  $AV_{DD}$  and  $V_L$  should be connected to the same supply. Separate bypassing to each pin should be used.

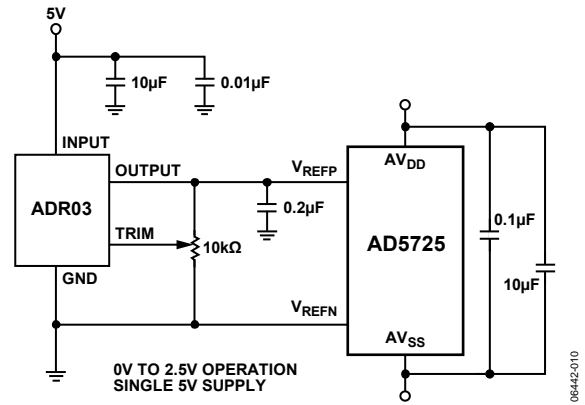
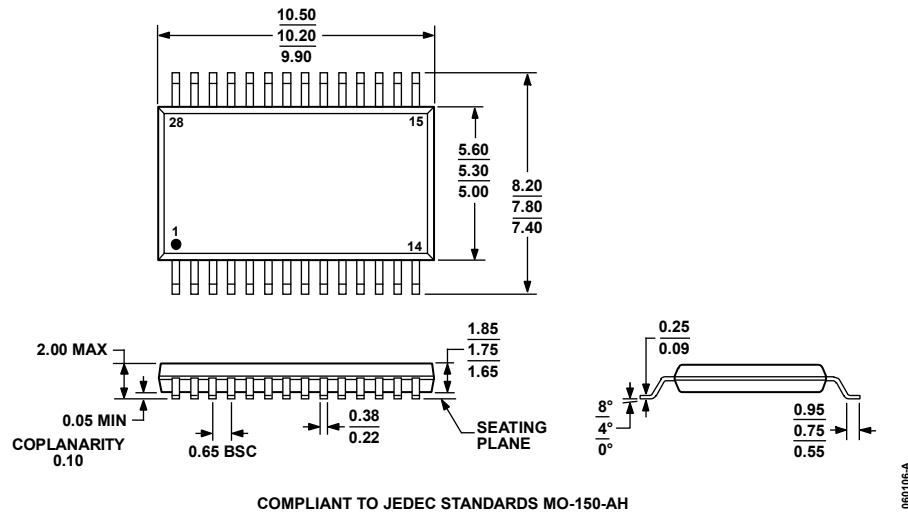


Figure 30.  $+5\text{ V}$  Single-Supply Operation

# OUTLINE DIMENSIONS



COMPLIANT TO JEDEC STANDARDS MO-150-AH  
 Figure 31. 28-Lead Shrink Small Outline Package [SSOP]  
 (RS-28)  
 Dimensions shown in millimeters

## ORDERING GUIDE

Model	Temperature Range	INL (LSB)	Clear Action	Package Description	Package Option
AD5725ARSZ-1500RL7 <sup>1</sup>	-40°C to +85°C	1	Clear to zero scale	28-Lead Shrink Small Outline Package [SSOP]	RS-28
AD5725ARSZ-1REEL <sup>1</sup>	-40°C to +85°C	1	Clear to zero scale	28-Lead Shrink Small Outline Package [SSOP]	RS-28
AD5725ARSZ-500RL7 <sup>1</sup>	-40°C to +85°C	1	Clear to midscale	28-Lead Shrink Small Outline Package [SSOP]	RS-28
AD5725ARSZ-REEL <sup>1</sup>	-40°C to +85°C	1	Clear to midscale	28-Lead Shrink Small Outline Package [SSOP]	RS-28
AD5725BRSZ-1500RL7 <sup>1</sup>	-40°C to +85°C	0.5	Clear to zero scale	28-Lead Shrink Small Outline Package [SSOP]	RS-28
AD5725BRSZ-1REEL <sup>1</sup>	-40°C to +85°C	0.5	Clear to zero scale	28-Lead Shrink Small Outline Package [SSOP]	RS-28
AD5725BRSZ-500RL7 <sup>1</sup>	-40°C to +85°C	0.5	Clear to midscale	28-Lead Shrink Small Outline Package [SSOP]	RS-28
AD5725BRSZ-REEL <sup>1</sup>	-40°C to +85°C	0.5	Clear to midscale	28-Lead Shrink Small Outline Package [SSOP]	RS-28

<sup>1</sup> Z = RoHS Compliant Part.

**AD5725**

**NOTES**