

**Features**

- Universal AC input
- Short circuit, overload, overvoltage protection
- 100% full load burn-in test
- Convection cooled
- Fixed switching freq. @ 45kHz
- battery low / battery polarity protection



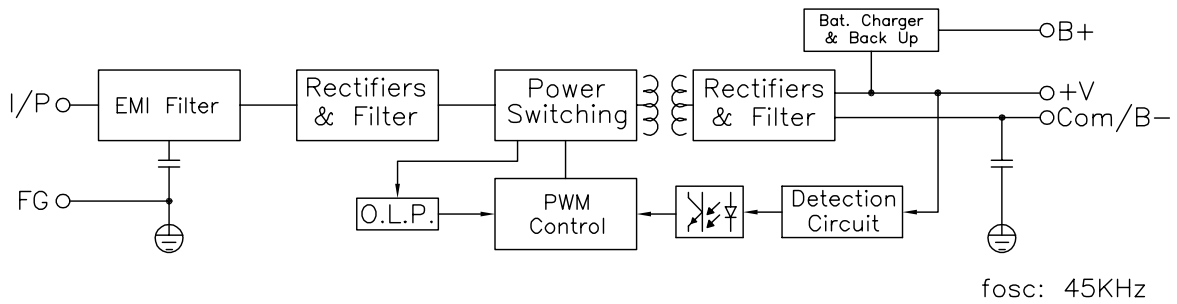
	CH1	CH2
DC output voltage	13.8V	13.4V
Output V. tolerance	±1%	---
Output rated current	3.5A	0.23A
Output current range	0-4A	---
Ripple & noise	100mVp-p	---
Line regulation	±0.5%	---
Load regulation	±0.5%	---
DC output power	51.38W	
Efficiency	71%	
DC voltage adj.	CH1: 12-14.5V	
Input voltage range	88~264VAC 47~63Hz; 120-370VDC	
AC current	1.6A/115V 1A/230V	
Inrush current	cold start 20A/115V 40A/230V	
Leakage current	<1mA/240VAC	
Overload protection	105%~150% / 230VAC, pulsing (hiccup mode), auto restart	
Over voltage protection	CH1: 14.49-18.63V	protection type: Hiccup mode auto restart
DC alarm signal (optional)	AC fail CH1 PIN2 battery low under charge voltage 82.5% ± 2% CN1 PIN1 normal 0.8V max. abnormal 5V±0.5V	
Temperature coefficient	±0.03% / °C (0~50°C) output on CH1	
Set up, rise, hold up time	1.6s, 50ms, 16ms/115VAC 800ms, 50ms, 60ms / 230VAC	
Vibration	10~500Hz, 2G 10 min./1 cycle, period of 60 min. each axes	
Withstand voltage	I/P-O/P: 3KVAC, I/P-FG: 1.5KVAC, O/P-FG: 0.5KVAC, for 1 min.	
Isolation resistance	I/P-O/P, I/P-FG, O/P-FG: 500VDC / 100M Ohms min	
Working temp., humidity	-10°C~+60% (refer to output derating curve), 20%-90% RH	
Storage temp., humidity	-20°C~+85°C, 10%-95% RH	
Dimensions	6.26x3.82x1.50 inches (159x97x38 mm) Case: 901	
Weight	1.25 lbs (0.57 Kgs)	
Safety standards	IEC950 requirement approved	
EMC standards	CISPR22 (EN55022) class B, EN61000-4,2,3,4,5,6,8,11, EN61000-3-2, -3 verification	
MTBF	304.3K hrs. min. MIL-HDBK-217F (25°C)	

**Notes:**

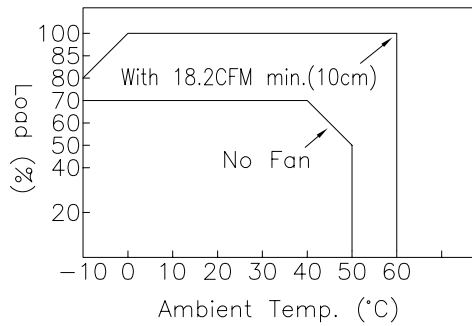
1. All parameters are specified at 230VAC input, rated load, 25°C 70% RH ambient
2. Tolerance includes set up tolerance, line regulation, load regulation
3. Ripple & noise are measured at 20MHz by using a 12" twisted pair terminated with a 0.1uF & 47 uF capacitor
4. Line regulation is measured from low line to high line at rated load
5. Load regulation is measured from 20% to 100% rated load, and other output at 60% rated load
6. Each output provides up to maximum current, but total load can not exceed maximum output power
7. CH2 Bat. charger voltage at no load, rated current at Bat. V=11V/22V

V-Infinity reserves the right to make changes to its products or to discontinue any product or service without notice, and to advise customers to verify the most up-to-date product information before placing orders. V-Infinity assumes no liability or responsibility for customer's applications using V-Infinity products other than repair or replacing (at V-I's option) V-Infinity products not meeting V-I's published specifications. Nothing will be covered outside of standard product warranty.

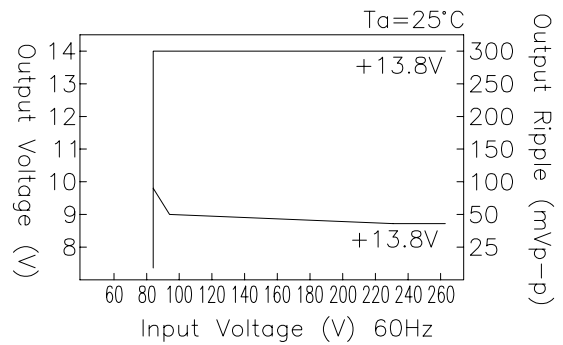
## Block Diagram



## Output Derating



## Static Characteristics



## Dimensions (mm)

- Case: 901  
Terminal Pin No. Assignment
- Pin 1: AC Input
  - Pin 2: AC Input
  - Pin 3: FG
  - Pin 4: DC Output Com
  - Pin 5: DC Output +V
  - Pin 6: Bat. +
  - Pin 7: Bat. - / Com
  - Pin 8: NC

